

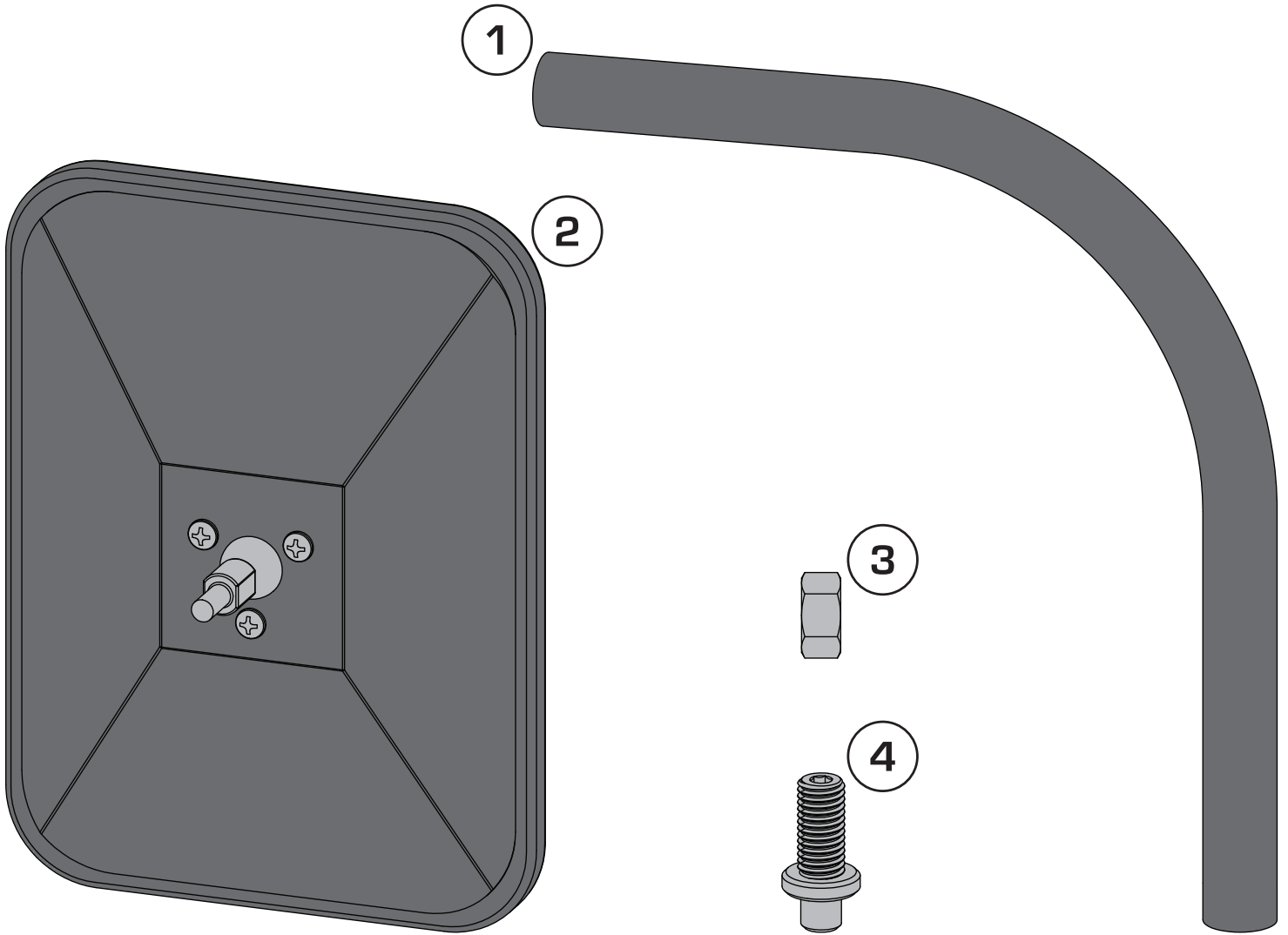


OMIX-ADA, Inc.

Part # 11025.24
11025.26

460 HORIZON DR. SUITE 400 | SUWANEE, GA 30024 | PHONE: 770-614-6101 | FAX: 844-270-0593 | www.Omix-ADA.com

Rectangular Trail Mirror, JL Wrangler



Components

1. Rectangular Mirror	(11025.24 - 1)	3. M12 Jam Nut	(11025.24 - 1)
	(11025.26 - 2)		(11025.26 - 2)
2. Mirror Arm	(11025.24 - 1)	4. Mounting Stud	(11025.24 - 1)
	(11025.26 - 2)		(11025.26 - 2)

OMIX-ADA® TECHNICAL SUPPORT

PHONE: M-F 8am - 5pm EST 1-800-449-6649

FOR WARRANTY OR TECH CONCERNS EMAIL: webmaster@omixsupport.com

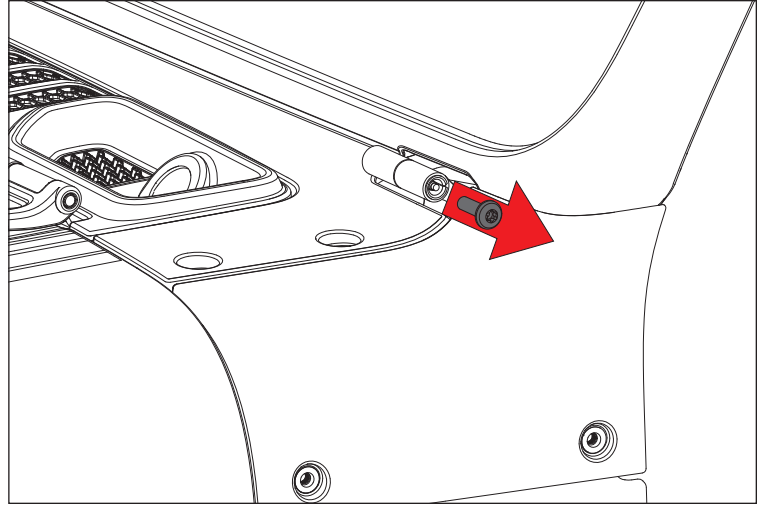


OMIX-ADA, Inc.

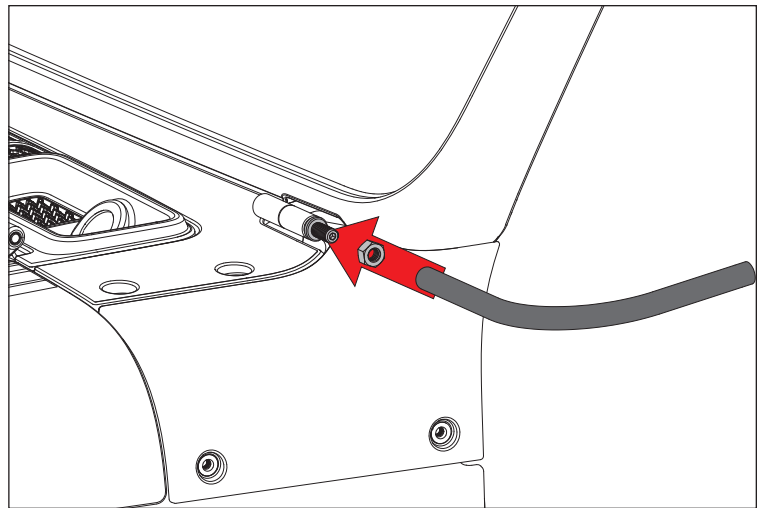
460 HORIZON DR. SUITE 400 | SUWANEE, GA 30024 | PHONE: 770-614-6101 | FAX: 844-270-0593 | www.Omix-ADA.com

Rectangular Trail Mirror, JL Wrangler

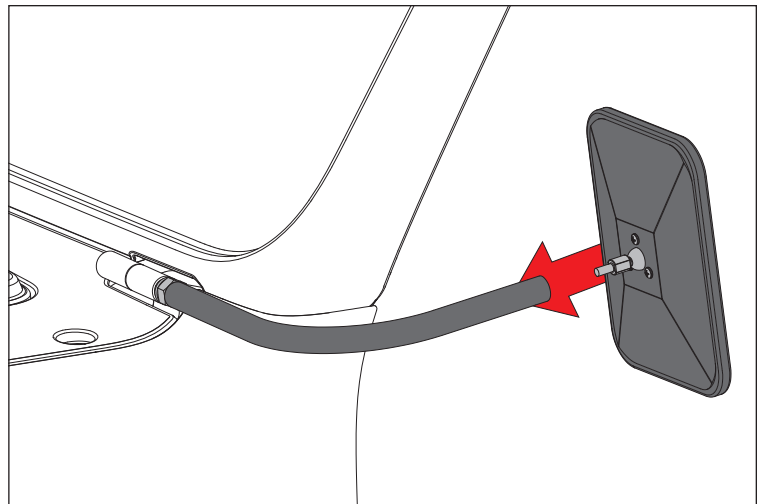
1. Remove nut on windshield hinge and replace with Mounting Stud.



2. Loosely install M12 Jam Nut and Mirror Arm on Mounting Stud.



3. Install Rectangular Mirror on Mirror Arm and rotate arm to desired position. While holding Mirror Arm in place, tighten M12 Jam Nut until it is tight against Mirror Arm.



4. If necessary, loosen Phillips head screws on back of Rectangular Mirror to adjust. Tighten screws when mirror is in correct position.