

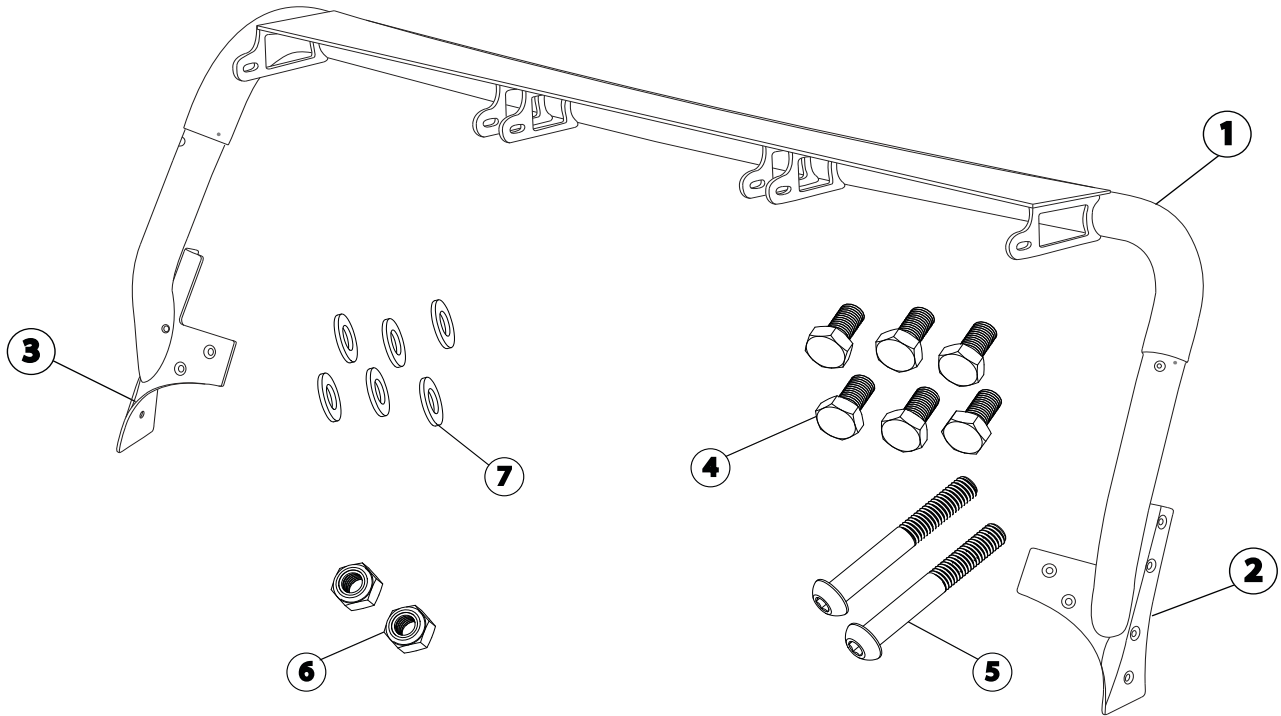


OMIX-ADA, Inc.

460 HORIZON DR. SUITE 400 | SUWANEE, GA 30024 | PHONE: 770-614-6101 | FAX: 770-614-6069 | info@omix-ada.com

11232.25

JK Windshield LED Light Bar



NOTICE

LED lights not included.
This JK lightbar is compatible with many 13.5 inch LED designs, however, we recommend using Rugged Ridge® LED SKU: 15209.11 for best results

| Components | (Qty) |
|-------------------|--------------|
| 1. Crossbar | (1) |
| 2. LH Bracket | (1) |
| 3. RH Bracket | (1) |

| Hardware | (Qty) |
|------------------------|--------------|
| 4. M8 Hex Head Bolt | (6) |
| 5. M8 Button Head Bolt | (2) |
| 6. M8 Lock Nut | (2) |
| 7. M8 Washer | (6) |




OMIX-ADA, Inc.

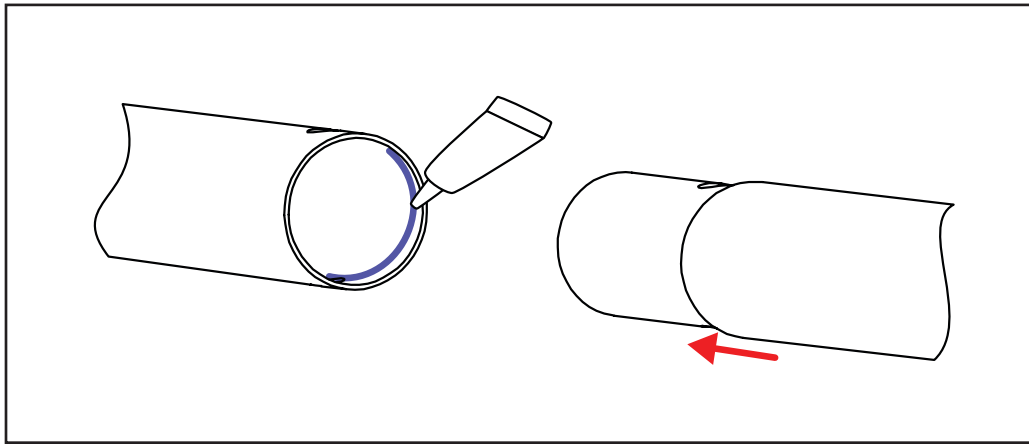
460 HORIZON DR. SUITE 400 | SUWANEE, GA 30024 | PHONE: 770-614-6101 | FAX: 770-614-6069 | info@omix-ada.com

11232.25

JK Windshield LED Light Bar

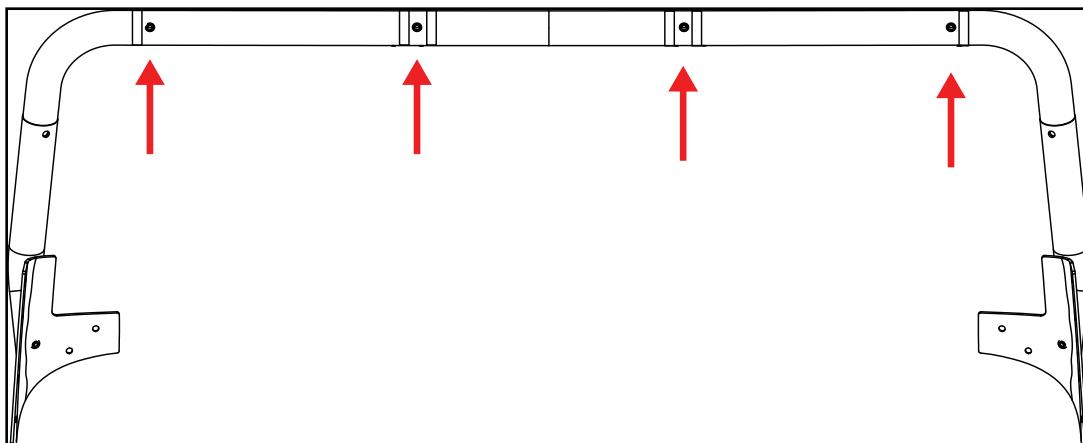
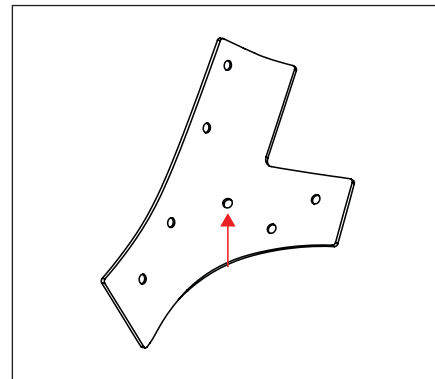
NOTICE

Installer is responsible for ensuring adequate silicone is used and applied correctly to all tubing joints, bolt locations and wire grommets. Apply an even bead of silicone on the inside of the female end. Insert the male end into tube. Silicone may also be used under bolt heads and nuts for additional weatherproofing. The following symbol is a reminder: 



NOTICE

When running wire leads during steps 1-3, use pre-drilled holes in the LH bracket and crossbar, shown in red below. Use the three holes that work best with your LEDs.





OMIX-ADA, Inc.



460 HORIZON DR. SUITE 400 | SUWANEE, GA 30024 | PHONE: 770-614-6101 | FAX: 770-614-6069 | info@omix-ada.com

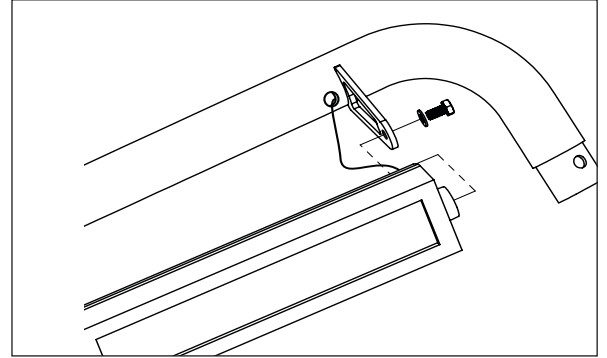
11232.25


JK Windshield LED Light Bar

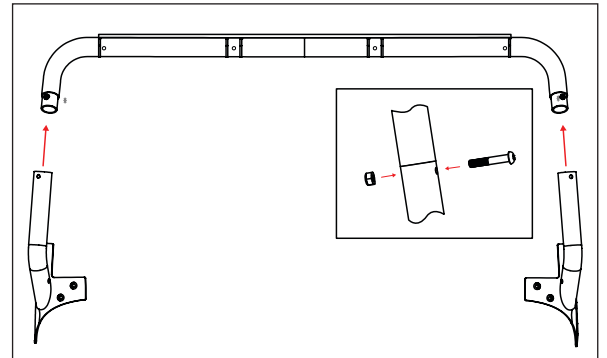
1. Attach 13.5 inch LED bars to the crossbar. M8x16mm hex bolts with washer are supplied for mounting Rugged Ridge® LEDs. Use holes in front of crossbar and underside of LH bracket for routing wires.

NOTICE

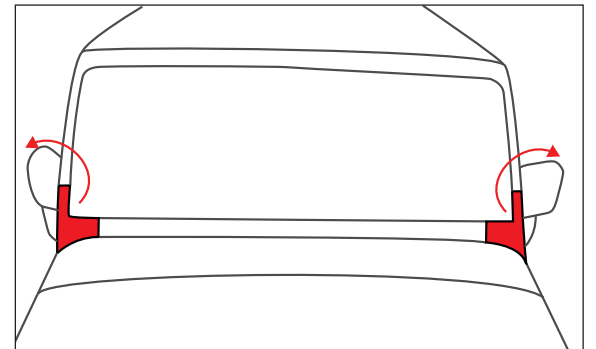
If other manufacturers' lights are used, additional hardware may be required.



2. Attach LH and RH brackets to crossbar with supplied M8 button head bolt and M8 lock nut. Do not tighten completely to allow for adjustment. 



3. Remove the factory LH and RH brackets. Retain factory hardware for later use.



4. Install assembly to vehicle using factory hardware retained from Step 1. Adjust fitment if necessary and securely tighten all bolts.

CAUTION

Use of tape on the a-pillar, cowl, and fender is recommended to prevent damage to vehicle's finish.

Two people are also recommended for this step: One on each side.

