

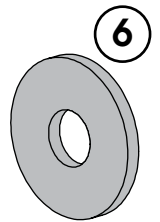
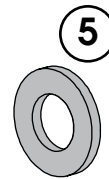
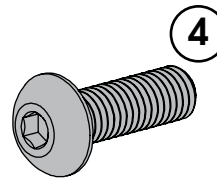
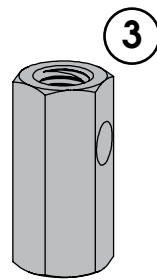
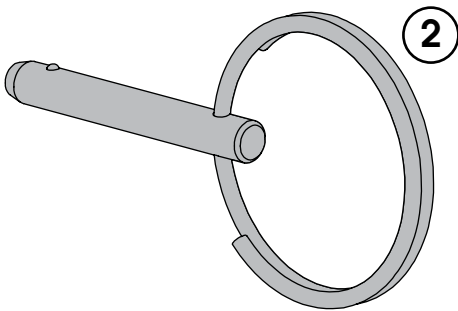
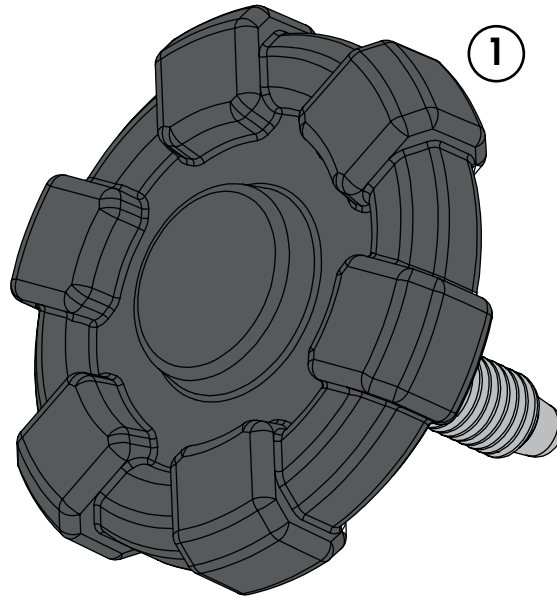


OMIX-ADA, Inc.

Part # 13510.15
13510.16

460 HORIZON DR. SUITE 400 | SUWANEE, GA 30024 | PHONE: 770-614-6101 | FAX: 770-614-6069 | info@omix-ada.com

Elite Hardtop Quick Release Kit PATENT PENDING



Components

- | | | | |
|-----------------------|-----|--------------------------|-----|
| 1. Elite Hardtop Knob | (6) | 4. Button Head Bolt | (2) |
| 2. Quick Release Pin | (2) | 5. Flat Washer | (2) |
| 3. Pin Catch | (2) | 6. Oversized Flat Washer | (2) |

NOTE: Components 2 - 6 only included with 13510.16 - Elite Hardtop Quick Release Kit; 4 Door

OMIX-ADA® TECHNICAL SUPPORT

PHONE: M-F 8am - 5pm EST 1-800-449-6649 | EMAIL: techsupport@omix-ada.com

FOR WARRANTY INFORMATION VISIT: www.Omix-Ada.com

**Rugged
Ridge**



OMIX-ADA, Inc.



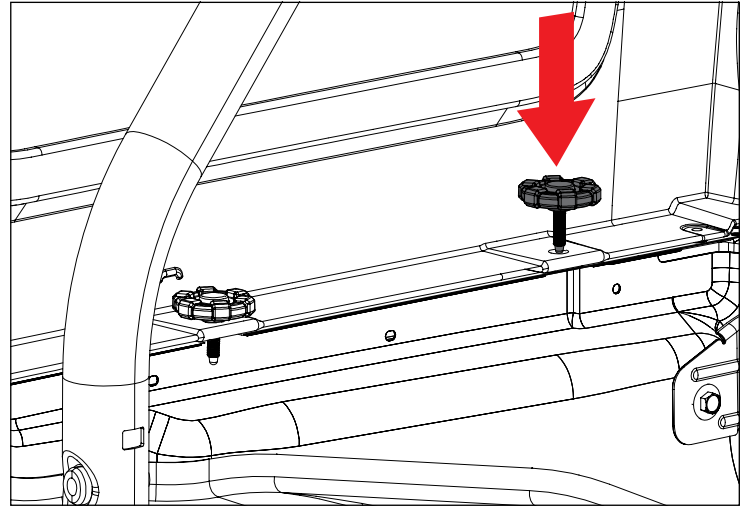
460 HORIZON DR. SUITE 400 | SUWANEE, GA 30024 | PHONE: 770-614-6101 | FAX: 770-614-6069 | info@omix-ada.com

Elite Hardtop Quick Release Kit PATENT PENDING

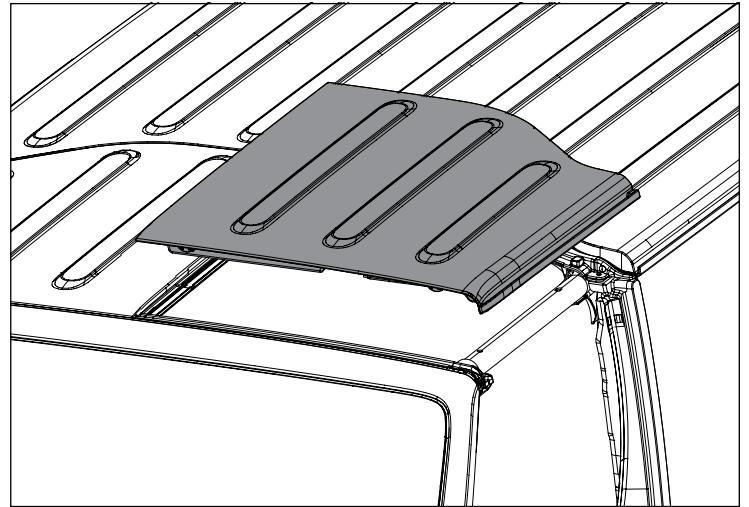
- Using T-40 Torx driver, remove six hardtop screws along tub rail and install Elite Hardtop Knobs.

NOTICE

If installing 13510.15 - Elite Hardtop Quick Release Kit; 2 Door, installation is complete.



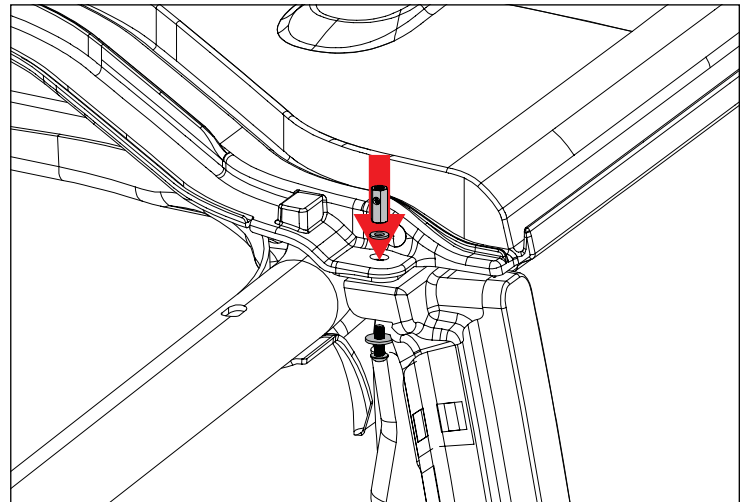
- Remove freedom panels and remove two remaining hardtop screws using T-40 Torx driver.



- Install Pin Catch and Flat Washer inside of hole for hardtop screws. Place Oversized Flat Washer over Button Head Bolt and screw into Pin Catch. Button Head Bolt goes through fixed nut for hardtop bolt.

NOTICE

Tape over opening at top of seat belt tower to prevent loss of hardware if dropped.



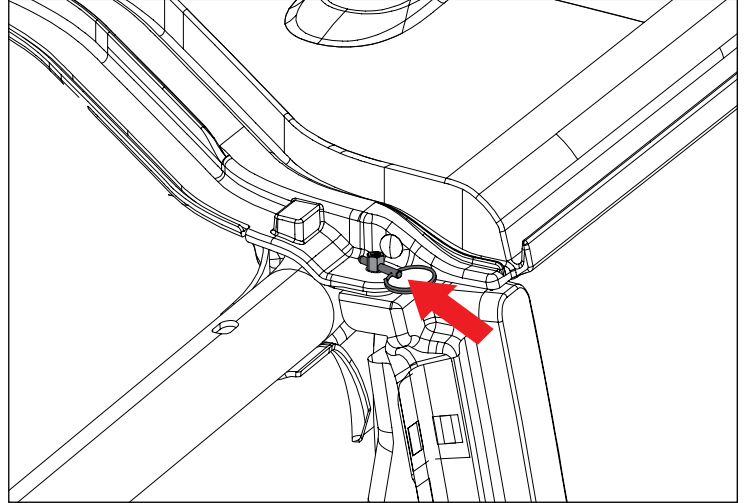


OMIX-ADA, Inc.

460 HORIZON DR. SUITE 400 | SUWANEE, GA 30024 | PHONE: 770-614-6101 | FAX: 770-614-6069 | info@omix-ada.com

Elite Hardtop Quick Release Kit PATENT PENDING

4. While pushing down on hardtop, insert Quick Release Pin in Pin Catch. Fold ring on Quick Release Pin over top of Pin Catch.



5. Reinstall freedom panels.

