



Installation Instructions

For Part Numbers:

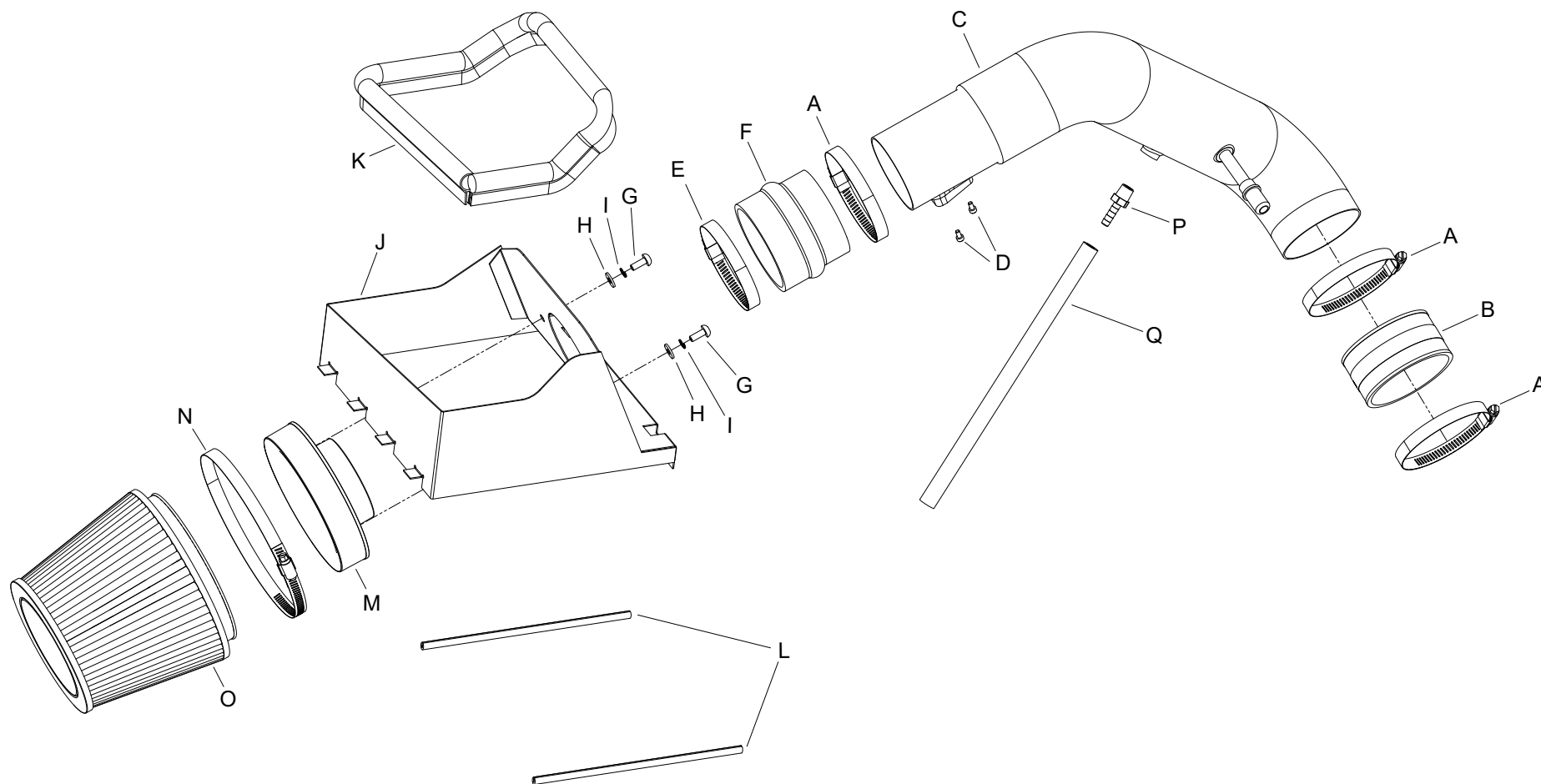
402-367 702-466 SynthaMax Dry Media Filter - Black

2011-14 FORD F150 5.0L-V8

V8-5.0L

NOT LEGAL FOR SALE OR USE ON ANY POLLUTION CONTROLLED MOTOR VEHICLE IN CALIFORNIA OR STATES ADOPTING CALIFORNIA EMISSION PROCEDURES.

See Airaid.com for CARB status on each part for a specific vehicle



Component Identification

Description	Qty.	Part #	Description	Qty.	Part #	Description	Qty.	Part #
A HOSE CLAMP; #56	3	08620	G BOLT; M6 X 1.00 X 16MM, SS	2	07730	M ADAPTER; UNIVERSAL, 6"	1	21512-1
B COUPLER; 3.5"ID X 2"L	1	KITCOUPLER09	H WASHER; 1/4"ID X 5/8"OD	2	08275	N CLAMP; #104, 9/16" SS	1	KITHS104
C TUBE; 3.5"OD TO 3.25"OD	1	KIT27489TK	I WASHER, M6 SPLIT LOCK ZINC	2	1-3025	O ELEMENT PARTS KIT; 6"ID X 6"	1	702-466
D BOLT; M4 X 0.07 X 8MM, ALLEN	2	07733	J HEAT SHIELD; 77-2580, MILD	1	074076	P VENT; STRT, 3/8" HOSE, 1/4"	1	08047
E HOSE CLAMP; #52	1	08610	K EDGE TRIM; 3/4 BULB, TOP	1	102471	Q HOSE; 3/8"ID X 12"L	1	08412
F HOSE; HUMP 3.25"/3.5" X 3"	1	5-576	L EDGE TRIM; 1/16" GAP, 19"L	1	102451			

Full color instructions can be viewed on our web site at Airaid.com. If you need any assistance please call 1-800-498-6951 to speak with a representative in our Customer Service Center before returning the product.

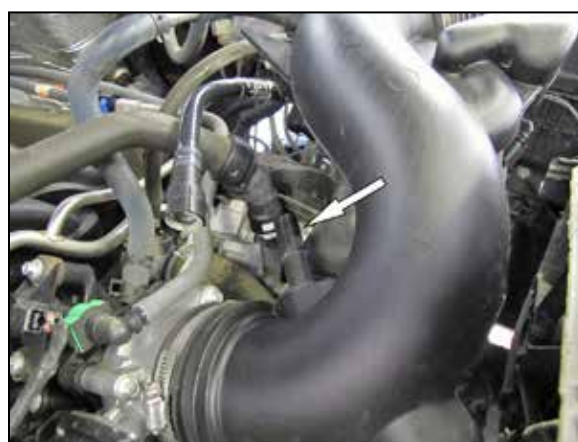
TO START:

1. Turn off the ignition and disconnect the negative battery cable.

NOTE: Disconnecting the negative battery cable erases pre-programmed electronic memories. Write down all memory settings before disconnecting the negative battery cable. Some radios will require an anti-theft code to be entered after the battery is reconnected. The anti-theft code is typically supplied with your owner's manual. In the event your vehicles anti-theft code cannot be recovered, contact an authorized dealership to obtain your vehicles anti-theft code.



2. Release the red locking tab and then disconnect the mass air sensor electrical connection.



3. Rotate the locking tab and then unhook the crankcase vent hose from the factory intake tube.



4. Disconnect the EVAP hose from the check valve as shown.

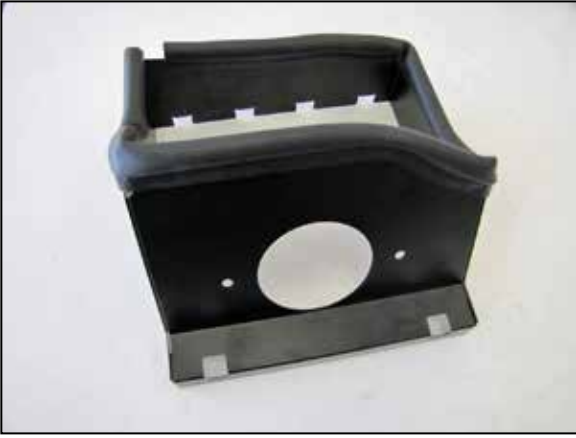


5. Loosen the hose clamp securing the factory intake tube to the throttle body.



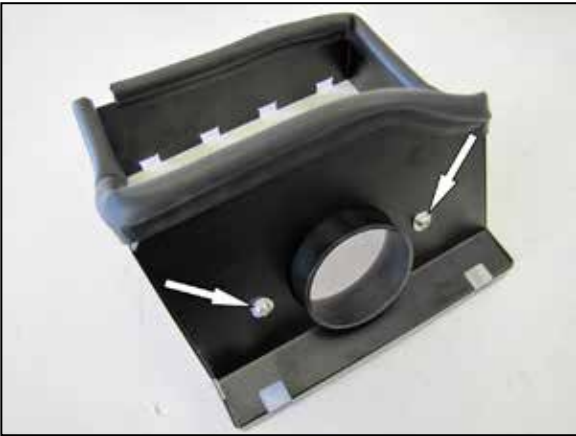
6. Release the three clips securing the upper airbox housing to the lower housing and then remove the intake tube/upper airbox and air filter from the vehicle. **NOTE: AIRAID recommends that customers do not discard factory air intake.**

Continued...

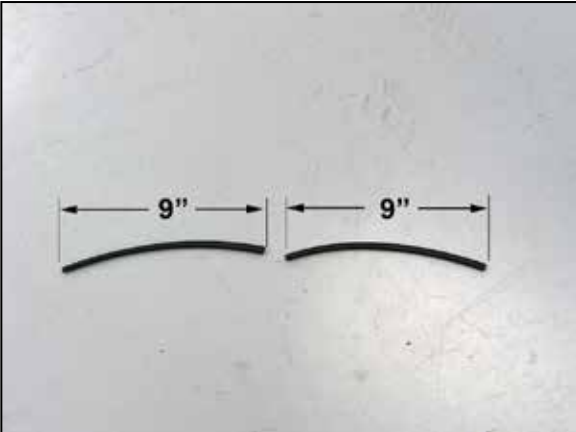


7. Install the provided edge trim onto the heat shield as shown.

NOTE: Some trimming of the edge trim will be necessary.



8. Install the filter adapter into the heat shield and secure with the provided hardware.



9. Cut the provided edge trim into two 9" sections as shown.



10. Install the two 9" sections of edge trim onto the bottom of the heat shield as shown.



11. Install the AIRAID® air filter onto the filter adapter and secure with the provided hose clamp.



12. Remove the center airbox retaining clip.



13. Install the heat shield/filter assembly onto the lower air box and secure with the factory air box retaining clips.

NOTE: A small gap may be visible between the heat shield and lower airbox.



14. Install the provided coupling hose onto the throttle body and secure with the provided hose clamp.



15. Install the provided silicone hose onto the filter adapter and secure with the provided hose clamp.



16. Install the provided 3/8" hose fitting into the AIRAID intake tube as shown.
NOTE: Plastic NPT fittings are easy to cross thread. Install the vent fitting "hand" tight, then turn it two complete turns with a wrench.



17. Remove the two screws securing the mass air sensor, then remove from the stock intake tube as shown.



18. Install the mass air sensor into the AIRAID® intake tube and secure with the provided hardware.



19. Install the AIRAID® intake tube assembly into the hose at the filter adapter and then into the hose on the throttle body and secure with the provided hose clamps.



20. Connect the crankcase vent hose to the quick disconnect fitting on the AIRAID® intake tube.



21. Install the provided vent hose onto the 3/8" fitting installed in the AIRAID® intake tube and then attach the open end to the EVAP check valve.

Continued...



22. Reconnect the mass air sensor electrical connection.



23. Double check your work!

Make sure there is no foreign material in the intake path.
Make sure all clamps, hoses, bolts, and screws are tight.
Double check the hood clearance!

Reconnect the negative battery cable!

Thank you for purchasing the Airaid Intake System. Contact Airaid @ (800) 498-6951 8:00 AM - 5:00 PM MST weekdays for questions regarding fit or instructions that are not clear to you. Your Airaid Intake System was carefully inspected and packaged. Check that no parts are missing, or were damaged during shipping. If any parts are missing, contact Airaid. The air filter element is protected from direct exposure to water and debris; care should be taken not to drive through deep water.

WATER INGESTION IS THE DRIVERS RESPONSIBILITY! The air filter is reusable and should be cleaned periodically.

FILTER IDENTIFICATION 702-466 Airaid SynthaMax Dry Media - Black

For your Oiled media filter we offer the
Airaid Tune Up Kit!



P/N 790-551 Aerosol Spray
P/N 790-550 Squeeze Spray



**NOT LEGAL FOR SALE OR USE ON ANY POLLUTION
CONTROLLED MOTOR VEHICLE IN CALIFORNIA OR
STATES ADOPTING CALIFORNIA EMISSION PROCEDURES.**

See Airaid.com for CARB status on each part for a specific vehicle

SynthaMax

Synthamax Air Filters **do not** require **oil**. Service air filter as needed by cleaning with common non-petroleum all-purpose household cleaner and water. Simple Green®, Formula 409® or equivalent works great. Apply cleaner to outside of air filter and allow to soak. Then flush filter clean from the inside out with a garden hose and repeat steps if necessary. Do not apply high pressure water or air to clean filter. Allow filter to air dry and reinstall.