

2021-2024 F-150 FENDER FLARE KIT WITH LIGHTING - UNPAINTED

INSTALLATION INSTRUCTIONS

P/N: 422332
(1124-16000)



ROUSH[®]
P E R F O R M A N C E

28200 Plymouth Rd, Livonia, MI 48150 | 800.59.ROUSH

2021-2024 F-150 FENDER FLARE KIT

Installation Instructions

P/N: 422332
(1124-16000)



Application: 2021-2024 Ford F-150

Important Note:

Before installing your ROUSH Performance Product, please read the installation manual and verify that all items are present. If you are missing hardware or have any questions, please contact ROUSH Performance at 1-800-59-ROUSH. Periodic inspection and maintenance is required on the edge seal included with this kit. ROUSH recommends inspecting the seal and maintaining its proper position on a regular basis.

TABLE OF CONTENTS

PACKING LIST FOR 2021-2024 F-150 FENDER FLARE KIT.....3

EQUIPMENT AND SUPPLIES REQUIRED.....4

LIMIT OF LIABILITY STATEMENT.....4

SAFETY PRECAUTIONS.....4

PAINTED PART PREPARATION.....5

PAINT PREPARATION.....5

FENDER FLARE LIGHTS WIRE HARNESS.....6

FENDER FLARE LIGHTS - SUBASSEMBLY.....14

FENDER FLARE - FRONT.....18

FENDER FLARE - REAR.....22

FENDER FLARE - INSPECTION.....27

PACKING LIST FOR 2021-2024 F-150 FENDER FLARE KIT

Description	Part Number	Quantity
ZIP TIE (8") - BLACK	CTUV840	15
Harness, Zip Tie Clip	156-00865	10
WIRE HARNESS - FENDER FLARE LIGHTING	PT00048426	1
WHEEL FLARE SET - UNPAINTED	PT00044532-RAW	1
AMBER MARKER LIGHT W/GROMMET	47973	2
RED MARKER LIGHT W/GROMMET	47972	2

EQUIPMENT AND SUPPLIES REQUIRED

- Isopropyl Alcohol
- 7 mm Socket
- #2 Phillips Head Drive
- Ratchet
- Adhesion Promoter (adpro)
- Terry Cloth
- China Marker
- Drill Motor
- Trim Tool
- Scissor or box cutter

If you are missing any items, please call us toll free at 1-800-59-ROUSH.

LIMIT OF LIABILITY STATEMENT

The information contained in this publication was accurate and in effect at the time the publication was approved for printing and is subject to change without notice or liability. ROUSH Performance Products (RPP) reserves the right to revise the information presented herein or to discontinue the production of parts described at any time.

SAFETY PRECAUTIONS



CAREFULLY READ THE IMPORTANT SAFETY PRECAUTIONS and WARNINGS BEFORE PROCEEDING WITH THE INSTALLATION!

Appropriate disassembly, assembly methods and procedures are essential to ensure the personal safety of the individual performing the kit installation. Improper installation due to the failure to correctly follow these instructions could cause personal injury or death. Read each step of the installation manual carefully before starting the installation.

- Always wear safety glasses for eye protection.
- Place ignition switch in the OFF position.
- Always apply the parking brake when working on a vehicle.
- Block the front and rear tire surface to prevent unexpected vehicle movement.
- If working with a lift, always consult vehicle manual for correct lifting specifications.
- Operate the engine only in well-ventilated areas to avoid exposure to carbon monoxide.
- Do not smoke or use flammable items near or around the fuel system.
- Use chemicals and cleaners in well-ventilated areas.
- Batteries produce explosive gases, which can cause personal injury. Therefore, do not allow flames, sparks or flammable substances to come near the battery.
- Keep hands and any other objects away from the radiator fan blades.
- Keep yourself and your clothing away from moving parts when the engine is running.
- Do not wear loose clothing or jewelry that can get caught in rotating parts or scratch surfaces.
- Allow the engine, cooling system, brakes and exhaust to cool before working on a vehicle.

WORK SAFELY!

Perform this installation on a good clean level surface for maximum safety and with the engine turned off.

PAINTED PART PREPARATION



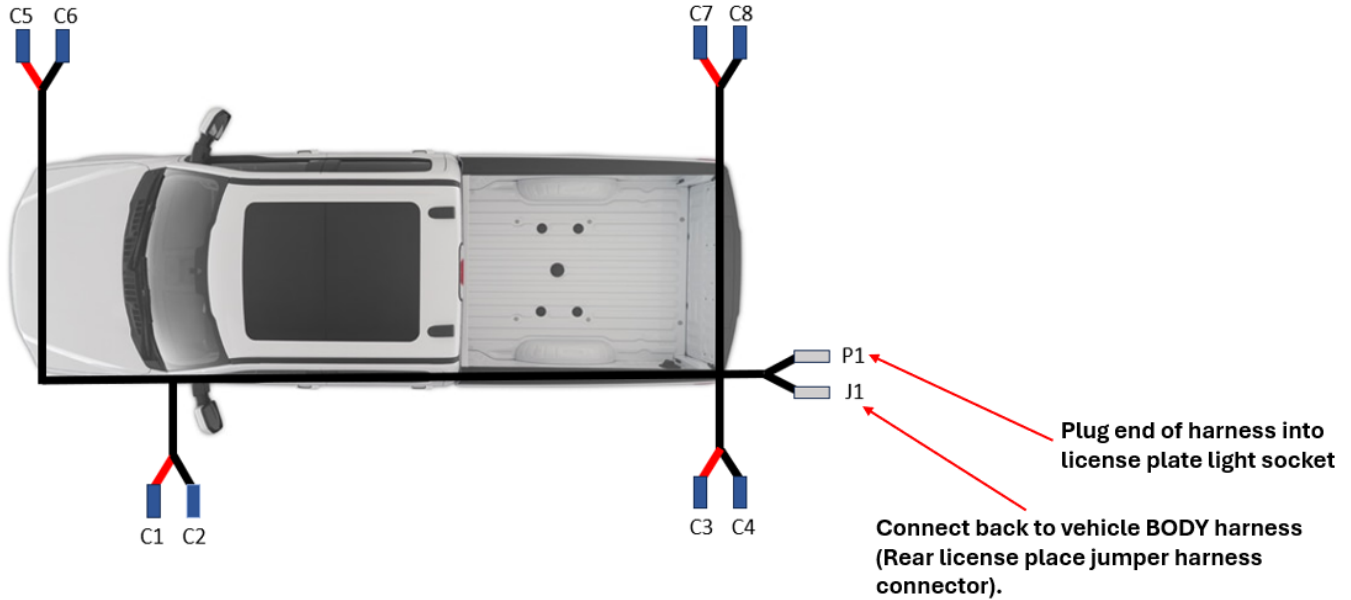
Unpainted/primed parts purchased from ROUSH require further preparation prior to being painted. Removal of any excess plastic flashing and sanding of the primed parts is required prior to paint application. The primed parts as received should not be painted without further surface preparation.

PAINT PREPARATION

1. Using sand paper, remove any plastic flash from the part as required.
2. Wipe each part to be painted with plastic prep (Dupont® 2319 or equivalent).
3. Wipe the entire part to be painted with tack cloth.
4. Apply adhesion promoter (Dupont® 2330S or equivalent) prior to color and clear coat applications.

FENDER FLARE LIGHTS WIRE HARNESS

WIRE HARNESS - FENDER FLARE LIGHTING PN: PT00048426



Signal	Wire Name	Wire Color	Wire Spec	Device
#1	0001	BLACK	AWG 18	SP1
#2	0005	RED	AWG 18	SP2
#13	0017	RED	AWG 18	CA1.P1
#15	0019	BLACK	AWG 18	CA2.P1
#2	0012	RED	AWG 18	SP2
#1	0008	BLACK	AWG 18	SP1
#13	0018	RED	AWG 18	SP4
#15	0020	BLACK	AWG 18	SP3
#2	0010	RED	AWG 18	SP2
#1	0014	BLACK	AWG 18	SP1
#1	0015	BLACK	AWG 18	SP1
#2	0016	RED	AWG 18	SP2
#2	0101	RED	AWG 18	SP2
#1	0102	BLACK	AWG 18	SP1

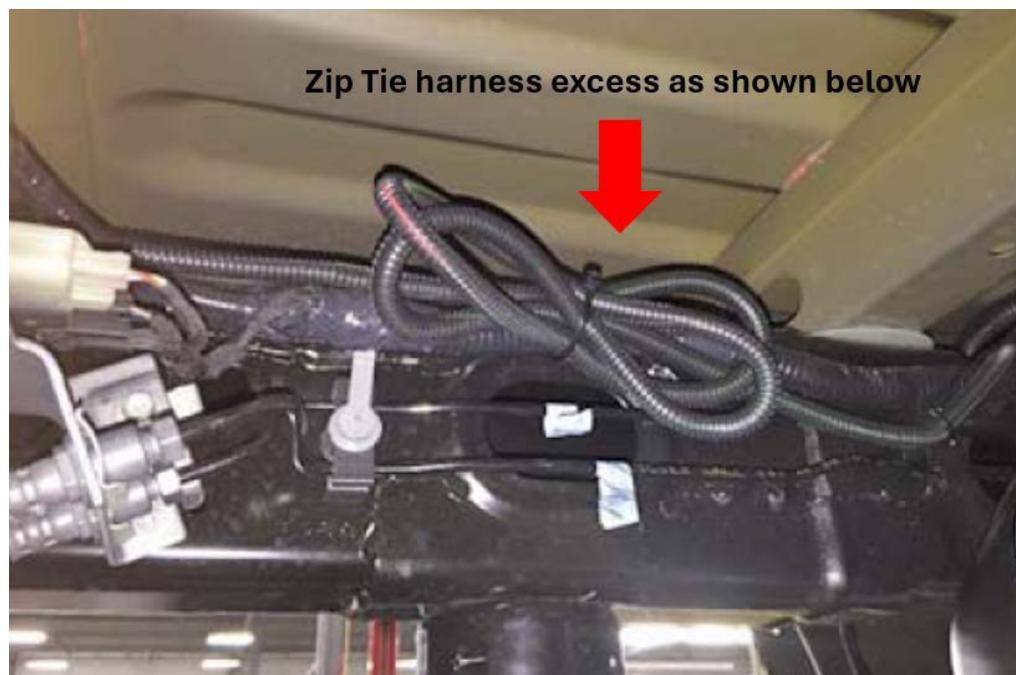
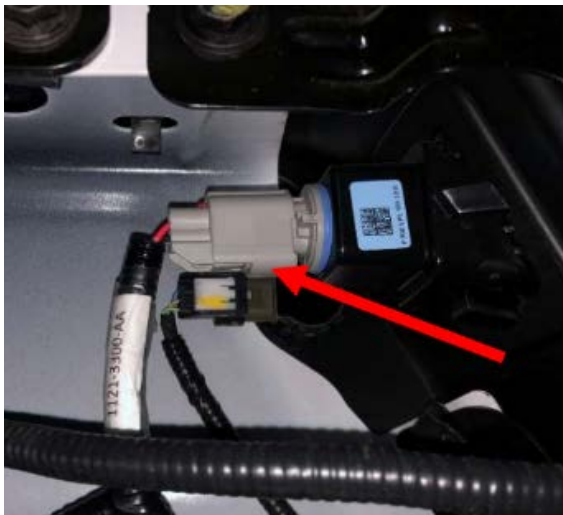
Power for the accent harness lighting is taken from the rear license place jumper connectors P1/J1
 (+) Power = Red
 (-) Ground = Black

FENDER FLARE LIGHTS WIRE HARNESS

The following manual will guide you through the installation of the 2021-2024 F-150 FENDER FLARE KIT WITH LIGHTING - UNPAINTED (1124-16000)

INSTALLATION - FENDER FLARE LIGHTS WIRE HARNESS

1. Starting at the rear of the truck, disconnect the factory license plate harness from the connector (located behind the vehicle rear bumper). Locate fender flare lights wire harness (PT00048426), Plug connector P1 into license plate light connector, then plug connector J1 back to vehicle body harness (Where the rear license connector goes to). Zip Tie harness excess as shown below. Note: The connectors are either male of female type, there is only one way to connect the connectors.



FENDER FLARE LIGHTS WIRE HARNESS

2. Route the shorter side of the harness to the rear passenger wheel well, and route the longer side of the harness to the rear driver wheel well.



Note: Red line shows the overall harness routing

3. Route on underside of bed to connection location on rear wheel well (bottom side) for fender light. Repeat for the other side. Note: Passenger side of the harness is shorter than the driver side of the harness.



4. Continue routing the harness down along the driver side frame rail and secure with the provided zip ties (P/N: CTUV840) and edge clips (P/N: 156-00865) as shown. Note: Follow OE main harness along driver side of the cab to the front of the cab.



FENDER FLARE LIGHTS WIRE HARNESS

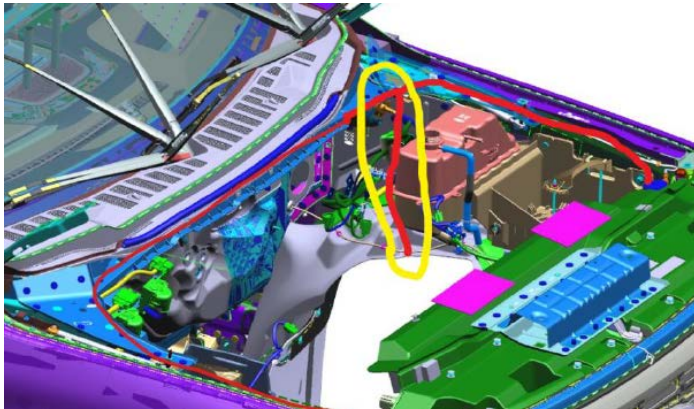


FENDER FLARE LIGHTS WIRE HARNESS



FENDER FLARE LIGHTS WIRE HARNESS

5. Route the remaining harness up through the driver side corner of the engine bay and come out behind the brake reservoir. Run the longer side above the engine with the heat shield and use edge clip zip ties (156-00865) in the marked (in yellow) locations. **HEAT SHIELDED SECTION OF HARNESS SHOULD BE ABOVE THE ENGINE.**

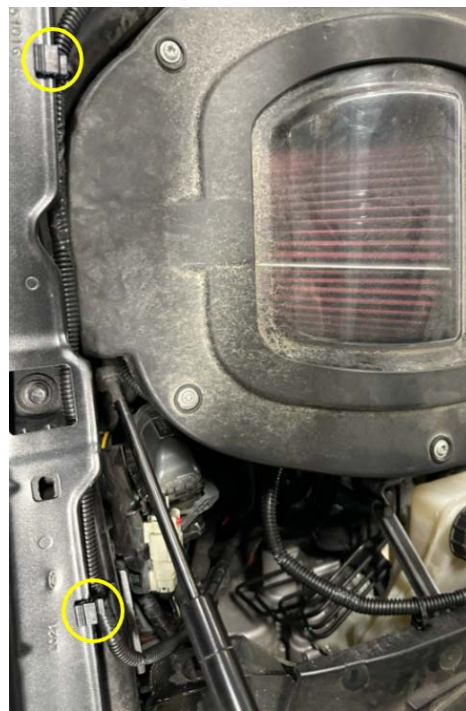
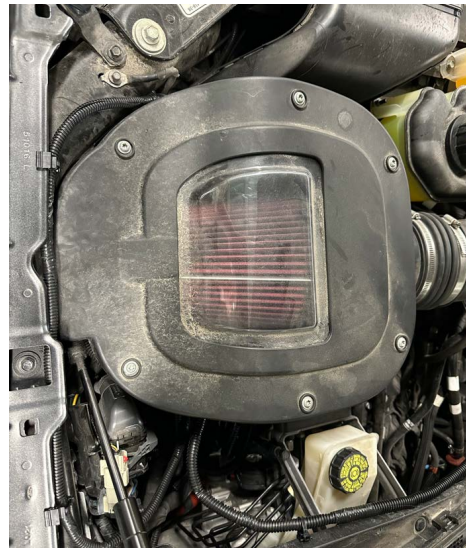
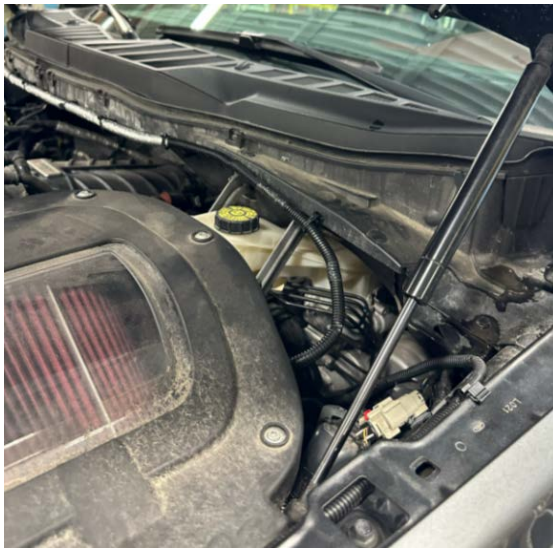


Please Note: Vehicle shown above is equipped with Roush supercharger kit, Vehicle engine bay shown above is for wire harness routing location purpose **ONLY**.

FENDER FLARE LIGHTS WIRE HARNESS

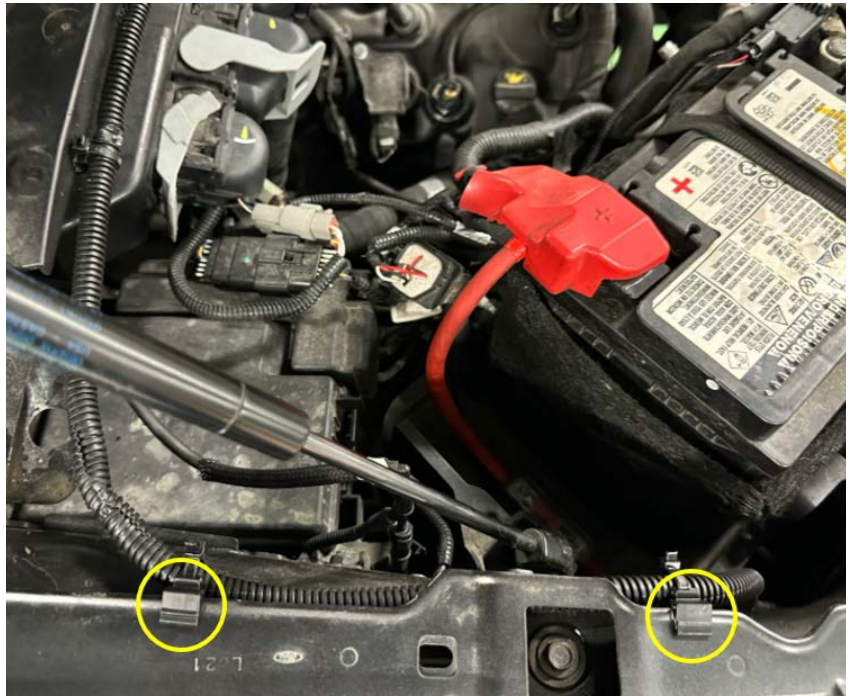
6. Route the remaining harness for both driver and passenger side underneath the top edge of the fender using zip ties & edge clip zip ties in the marked locations (in yellow). Feed the end of the harness down towards the front of the wheel well on the fender in the locations shown.

Note: driver side - next to air box of intake; passenger side - next to vehicle battery.



Note: Driver side wire harness routing shown above.

FENDER FLARE LIGHTS WIRE HARNESS



Note: Passenger side wire harness routing shown

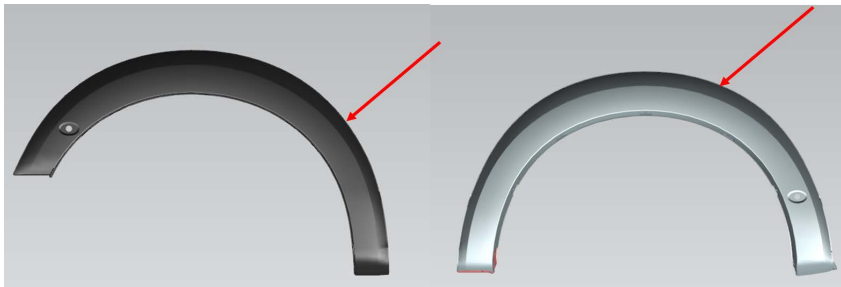
FENDER FLARE LIGHTS - SUBASSEMBLY

INSTALLATION - FENDER FLARE EDGE SEAL

1. Locate and verify ALL parts from the fender flare kit, reference part numbers, description and quantities using “PACKING LIST FOR 2021-2024 F-150 FENDER FLARE KIT” On Page 3.

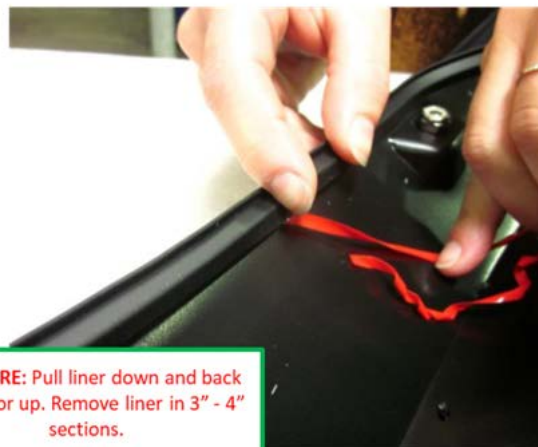
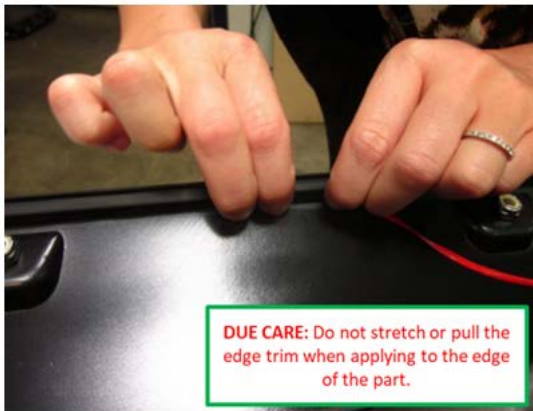


2. Remove clear plastic wrap off the fender flares, clean the inner edge of the applicable flares at locations shown below with isopropyl alcohol and let dry. Apply adpro and let dry for one minute.

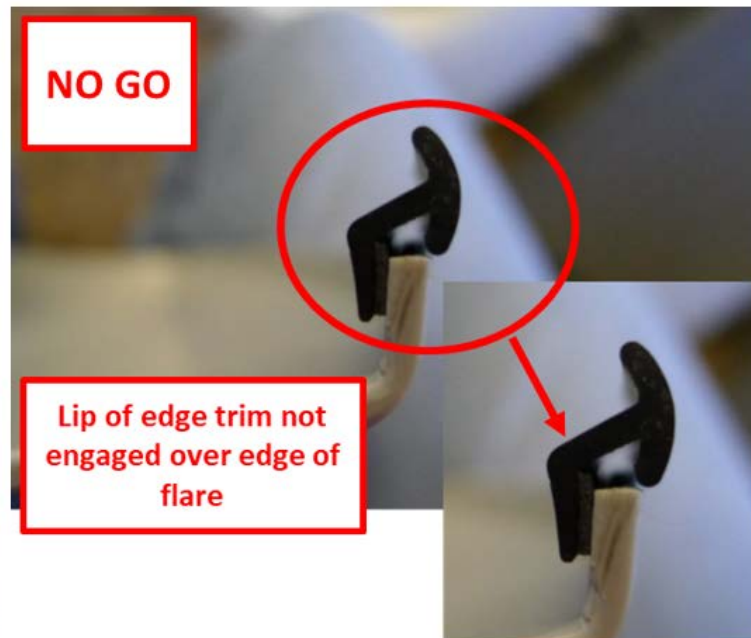


FENDER FLARE LIGHTS - SUBASSEMBLY

3. Install the edge seal on the outer edge of the applicable flare at locations from the previous step. Peel away a small amount of liner (one to two inches). Start edge trim on front end of flare with the liner still in place. Make sure the edge trim is positioned correctly, then begin pulling liner as you press into place. Note: Tape adheres on contact and will cause difficulty if too much is exposed. Pull liner in 3" - 4" sections.



4. Press edge trim completely onto flare making sure the lip of the edge trim is engaged over the edge of the flare before removing liner.



FENDER FLARE LIGHTS - SUBASSEMBLY

5. Use Scissor or box cutter to trim the edge seal flush with end of flares.



6. Repeat steps 3-5 for the remaining flares.

INSTALLATION - FENDER FLARE LIGHTS

1. Locate correct marker light for the flare being assembled. Reference images and part numbers below for marker light applications. **Note: Red color for rear flares, amber color for front flares.**

Front Flares



AMBER MARKER LIGHT ASSEMBLY W/ CONVOLUTE
47973

Rear Flares



RED MARKER LIGHT ASSEMBLY W/ CONVOLUTE
47972

FENDER FLARE LIGHTS - SUBASSEMBLY

2. Separate the grommet from the light. Note: Red light shown, process is the same for amber light.



3. To Install marker light onto each fender, Insert wires through hole, then press grommet into the hole. Verify text on light is facing up, rotate if not, and then insert light into grommet. Be sure lamp is fully seated in opening. Note: Red light shown, process is the same for amber light.

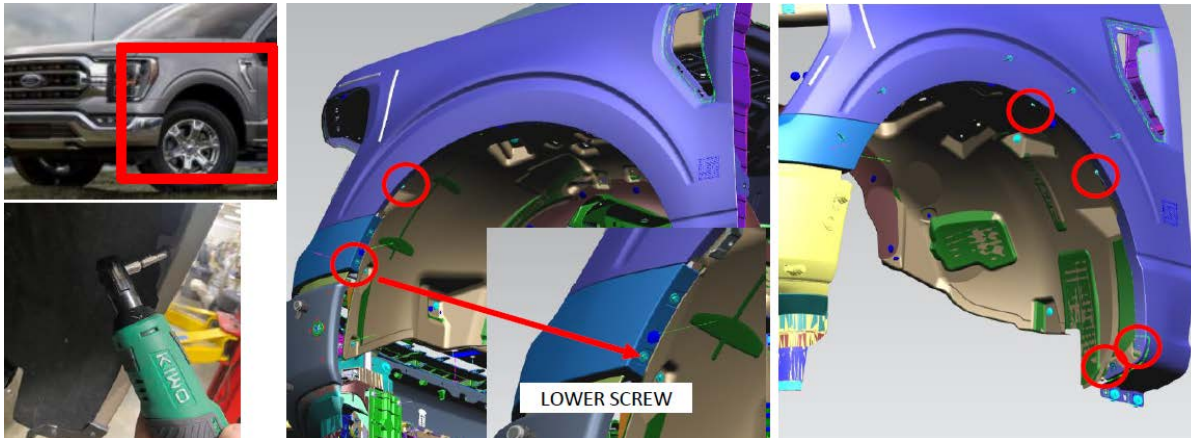


4. Repeat Steps 1-3 for the remaining lights.

FENDER FLARE - FRONT

INSTALLATION - FENDER FLARE - FRONT

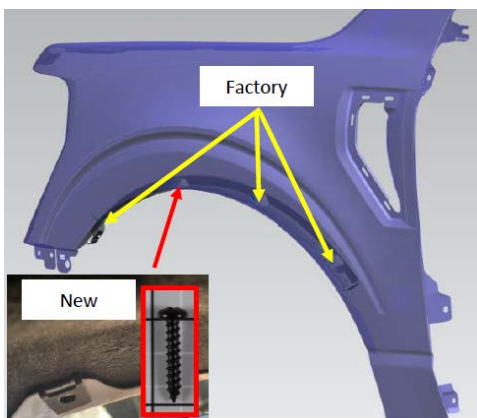
1. Using a 7mm socket and cordless ratchet, remove the 6 factory screws at the locations shown. Save for reuse.



2. Locate assembled front flare with edge seal (similar flare assembly shown) and marker light for applicable side of vehicle. Locate Front flare inner piece (non directional) Qty.1, screws Qty.6 from kit and clip Qty.1. Note: **painted** fender flare assembly shown below.

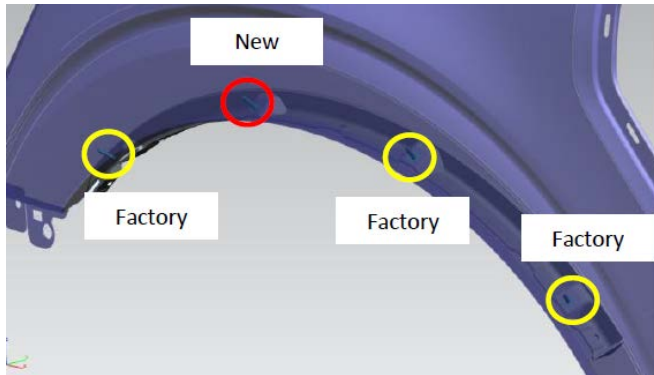


3. Install clip at the location arrowed in red. Then install inner piece as shown. Use the three (3) take off screws and one (1) screw from kit where the clip was installed. See next step for more detail.



FENDER FLARE - FRONT

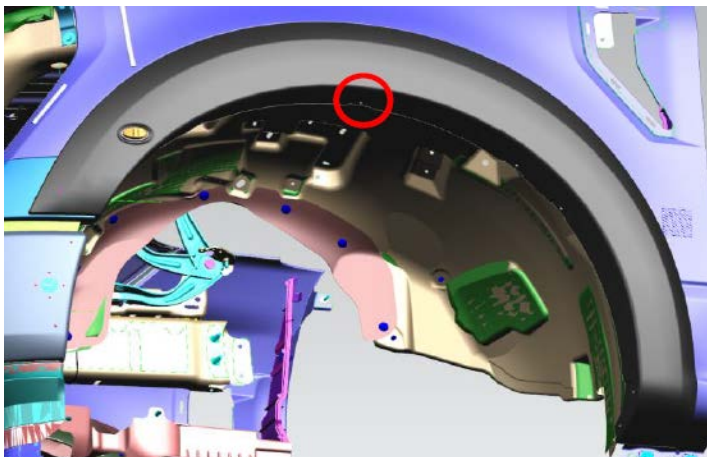
4. Install front flare inner piece as shown below using four (4) screws shown in step 3. Use a 7mm socket, a phillips bit, an extension and cordless ratchet to install the fasteners until snug. See next step for more detail.



5. Lift fender flare into position, align with holes on inner piece and factory holes on fender and front fascia. Note: **painted** fender flare assembly shown below.



6. Press the flare firmly inboard, verifying that the top center hole on the flare is aligned with the top center hole of the inner piece. Begin installing one (1) screw at this location, do not fully tighten. See next step for more detail.



FENDER FLARE - FRONT

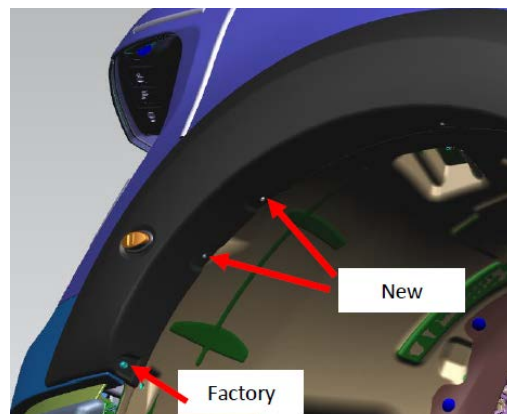
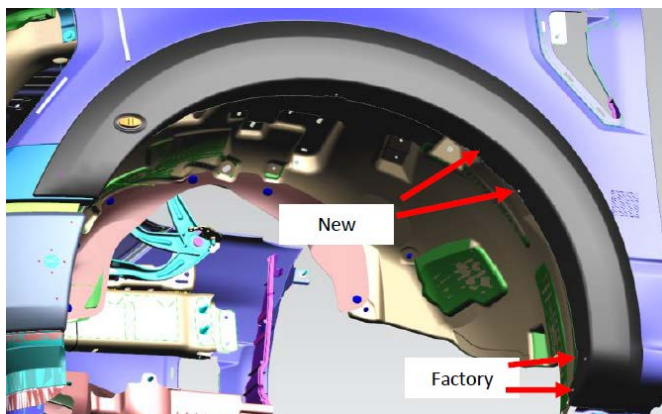
7. Detail of previous step. With top center screw installation started, flare will hang as shown. Note: **painted** fender flare assembly shown below.



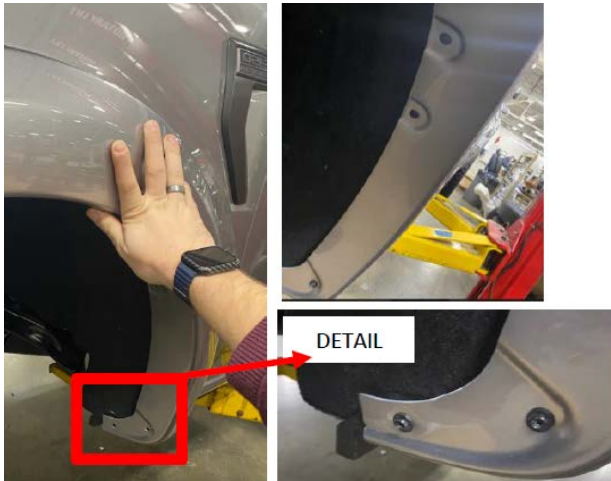
8. Connect marker light to the previously routed harness. Feed the connection back inside flare. Ensure harness is not interfering with mounting holes. **Note: Red wire to yellow wire and black wire to white wire.** Note: **painted** fender flare assembly shown below.



9. Using a ratchet with a Phillips bit and 7mm socket, begin installing the remaining three (3) factory screws and four (4) new screws from kit at the locations shown below. Work from the center of the wheel opening downward. **Do not fully tighten at this stage.** Apply firm pressure to the flare against the vehicle to align holes before screw install. Factory trim piece is to be sandwiched between flare and fender at detail location above. Note: **painted** fender flare assembly shown below.

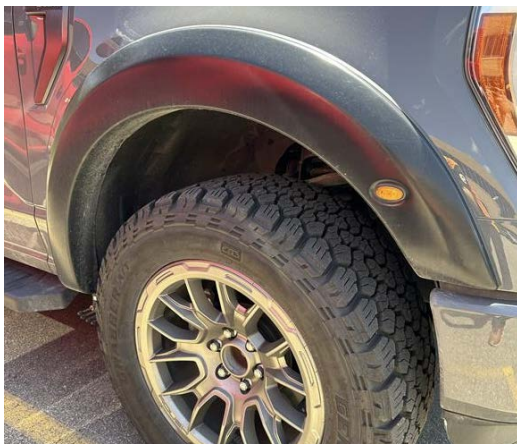


FENDER FLARE - FRONT



10. With all screw installations started, go back and tighten all eight (8) screws until snug. Torque specs for reference only: New fasteners: 0.9 -1.1 Nm; Factory fasteners: 1.7 Nm.

11. Check edge seal to ensure seal has not rolled. If it has, use an edge trim tool to seat edge trim against vehicle by hooking the curved end under edge trim at one end of flare and sliding around the outer edge of flare. **Verify there is no gap between the fender flare and the vehicle body.**



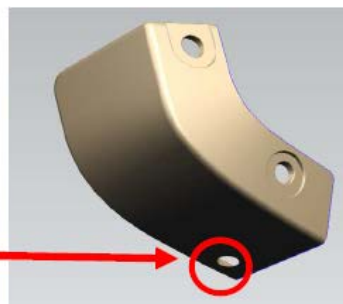
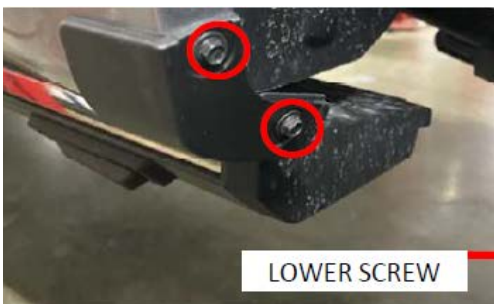
Note: Front Driver Side Fender Flare shown above.

12. Repeat steps 1-11 for opposite side of vehicle.

FENDER FLARE - REAR

INSTALLATION - FENDER FLARE - REAR

1. Using a 7mm socket and ratchet, remove the 3 factory screws at the locations shown. Save for reuse.

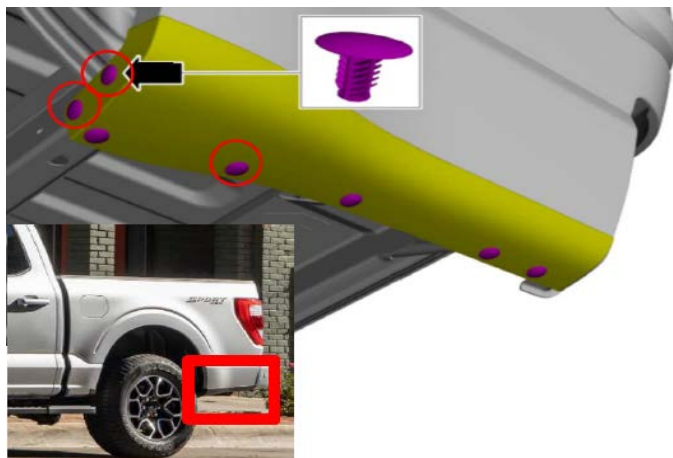


LOWER SCREW

2. Using a non marring trim tool, pry off factory trim piece and discard. Ensure clip does not remain on the vehicle. If necessary, use non marring pry tool to remove.

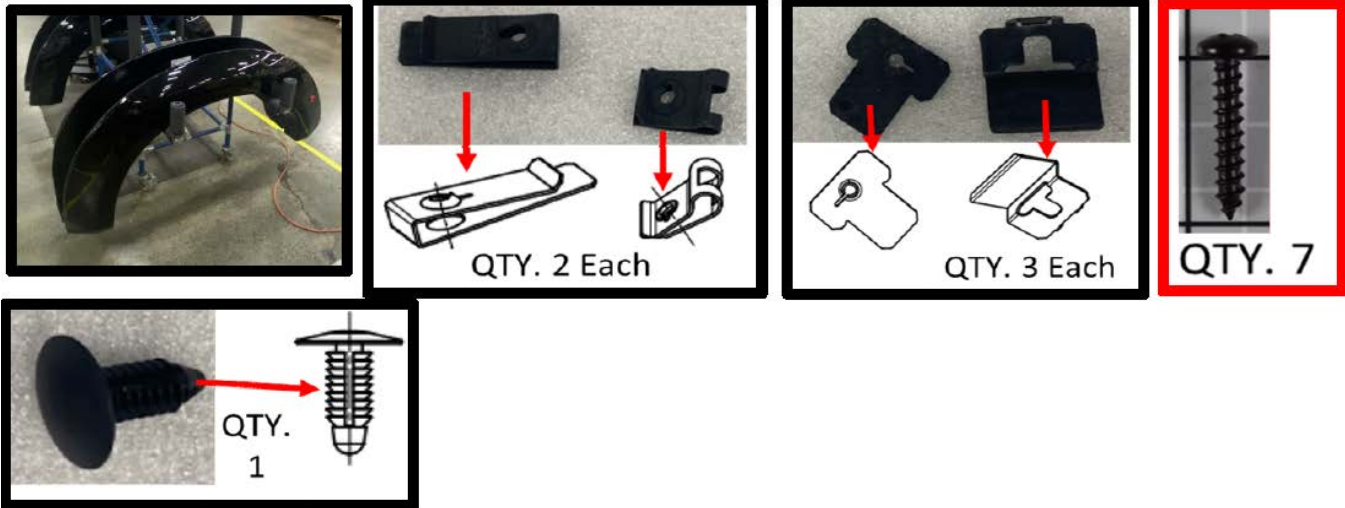


3. Use a trim removal tool to remove the factory pushpins in the locations shown. Discard pushpins. Trim piece is to remain on vehicle.



FENDER FLARE - REAR

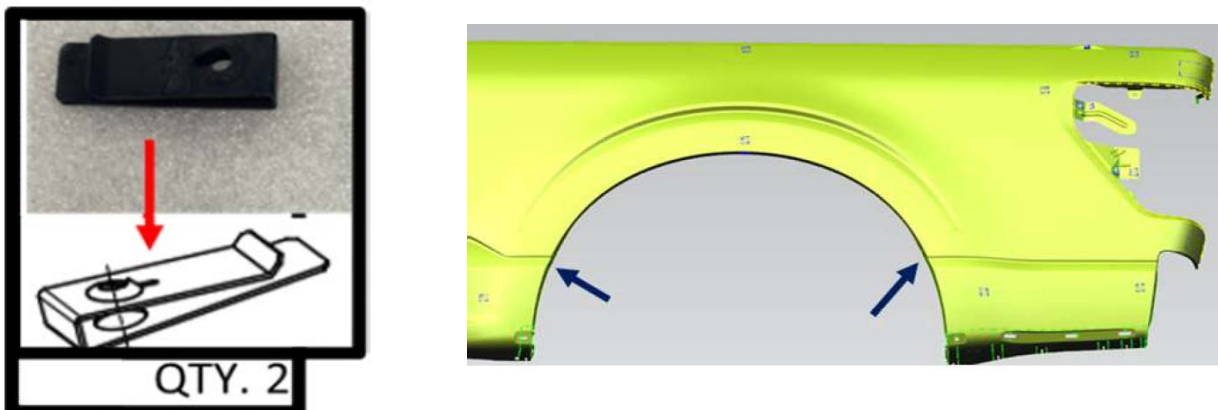
4. Locate assembled rear flare with edge seal (**ainted** fender flare assembly shown below) and marker light for applicable side of vehicle and the quantities of the hardware shown below.



5. Lift fender flare into position and hold. Align with factory holes in the locations shown in red. Use a China marker to mark the hole locations shown in blue on the bedside wheel well flange. Lower flare and rest for later use. Note: **ainted** fender flare assembly shown below.

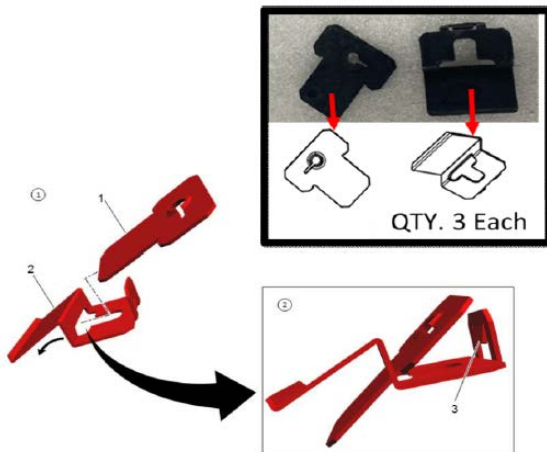


6. Install a u-clip as shown at the outermost marked locations from the previous step.

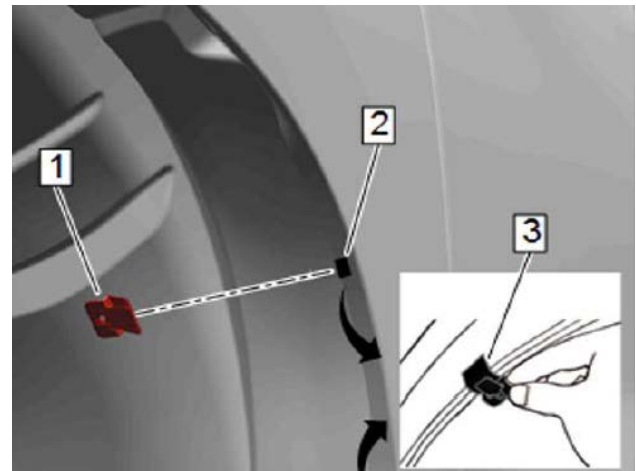
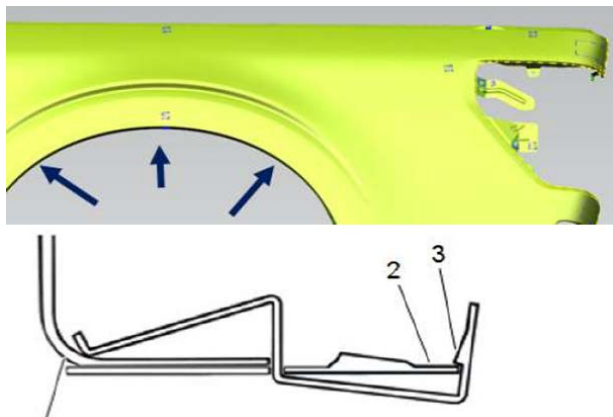


FENDER FLARE - REAR

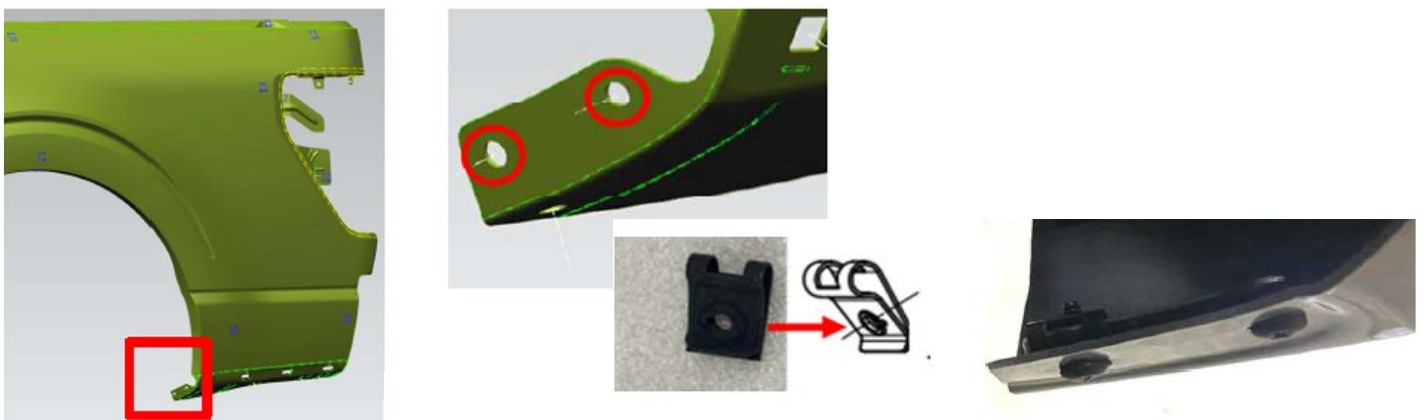
7. Preassemble three wheel opening brackets as shown. Do not engage locking tab at this time.



8. At the three remaining marked locations from step 5, install wheel opening brackets. Once brackets are in position, use a pair of needle nose pliers press down on upper until an audible “click” is heard to engage the locking tab.



9. At the two factory hole locations circled in red, install a P-clip as shown, flat side out. Clip is to be installed over factory sheet metal only, not the trim piece. Screws showed will be installed in later step.



FENDER FLARE - REAR

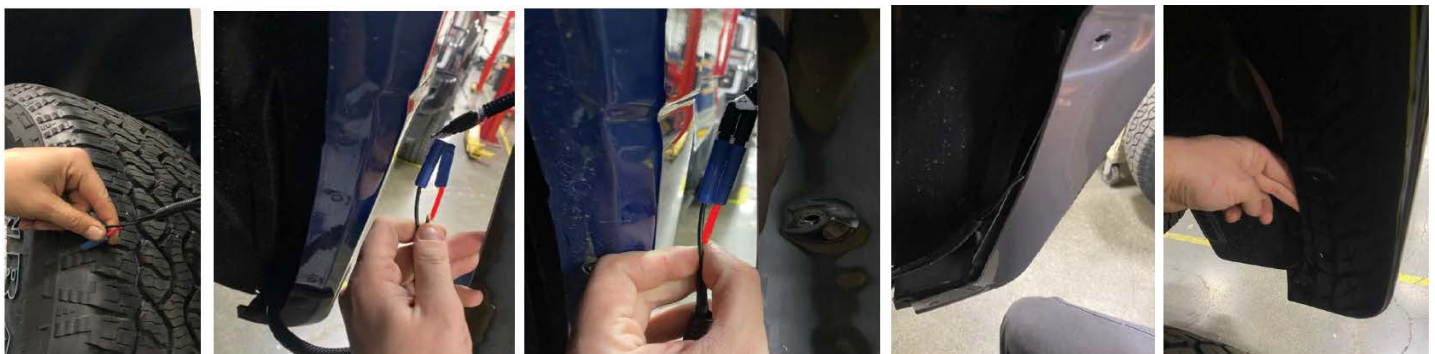
10. Lift fender flare into position and hold. Align with the same factory holes from step 6.



11. Press the flare firmly inboard, verifying that the top center hole on the flare is aligned with the top center wheel opening bracket. Begin installing one of the screws from step 5 at this location, do not fully tighten.

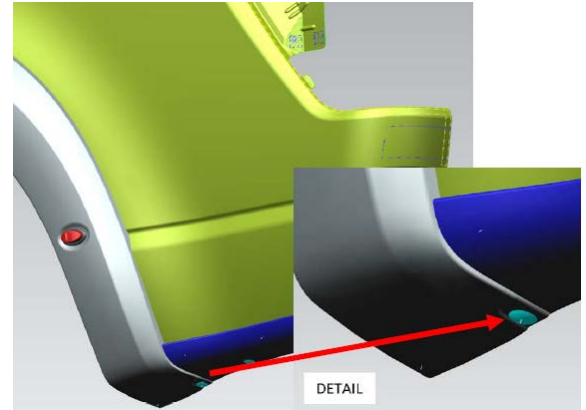
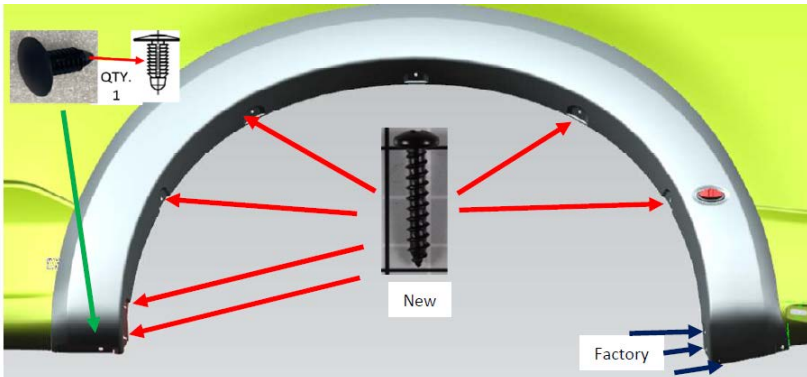


12. Connect marker light to the previously routed harness. **Red to red and black to white.** Feed the connection back inside flare. Ensure harness is not interfering with mounting holes.



FENDER FLARE - REAR

13. Using a ratchet with a Phillips bit and 7mm socket, begin installing the remaining three (3) factory screws and six (6) new screws provided in the kit at the locations shown above. Work from the center of the wheel opening downward. **Do not fully tighten at this stage.** Apply firm pressure to the flare against the vehicle to align holes before screw install. Complete step by installing push pin in location shown. NOTE: Rear factory trim piece is to be sandwiched between flare and fender at detail location above.



14. With all screw installations started, go back and tighten all ten (10) screws until snug. Torque specs for reference only: New fasteners: 0.9 -1.1 Nm; Factory fasteners: 1.7 Nm.

15. Check edge seal to ensure seal has not rolled. If it has, use an edge trim tool to seat edge trim against vehicle by hooking the curved end under edge trim at one end of flare and sliding around the outer edge of flare. **Verify there is no gap between the fender flare and the vehicle body.**



Note: Front Driver Side Fender Flare shown above.

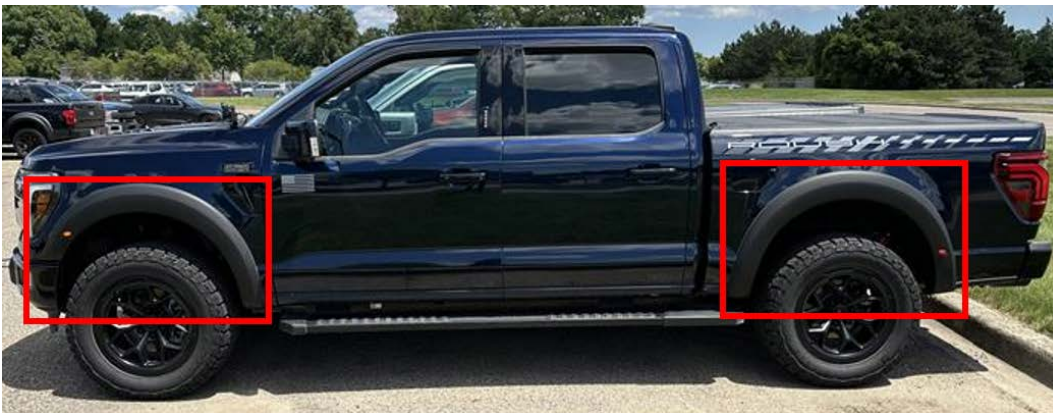
FENDER FLARE - REAR

16. Repeat steps 1-15 for opposite side of vehicle.



FENDER FLARE - FINAL INSPECTION

1. Key on truck to verify license plate light and four (4) fender flare lights light up.
2. Verify no damage has been done to the fender flares and the vehicle.
3. Verify there is no damaged/exposed wire.
4. Verify there is no gap between the fender flare and the vehicle body.



Congratulation! You have completed the installation process.