

BAKFlip

BEST-SELLING HARD FOLDING COVER

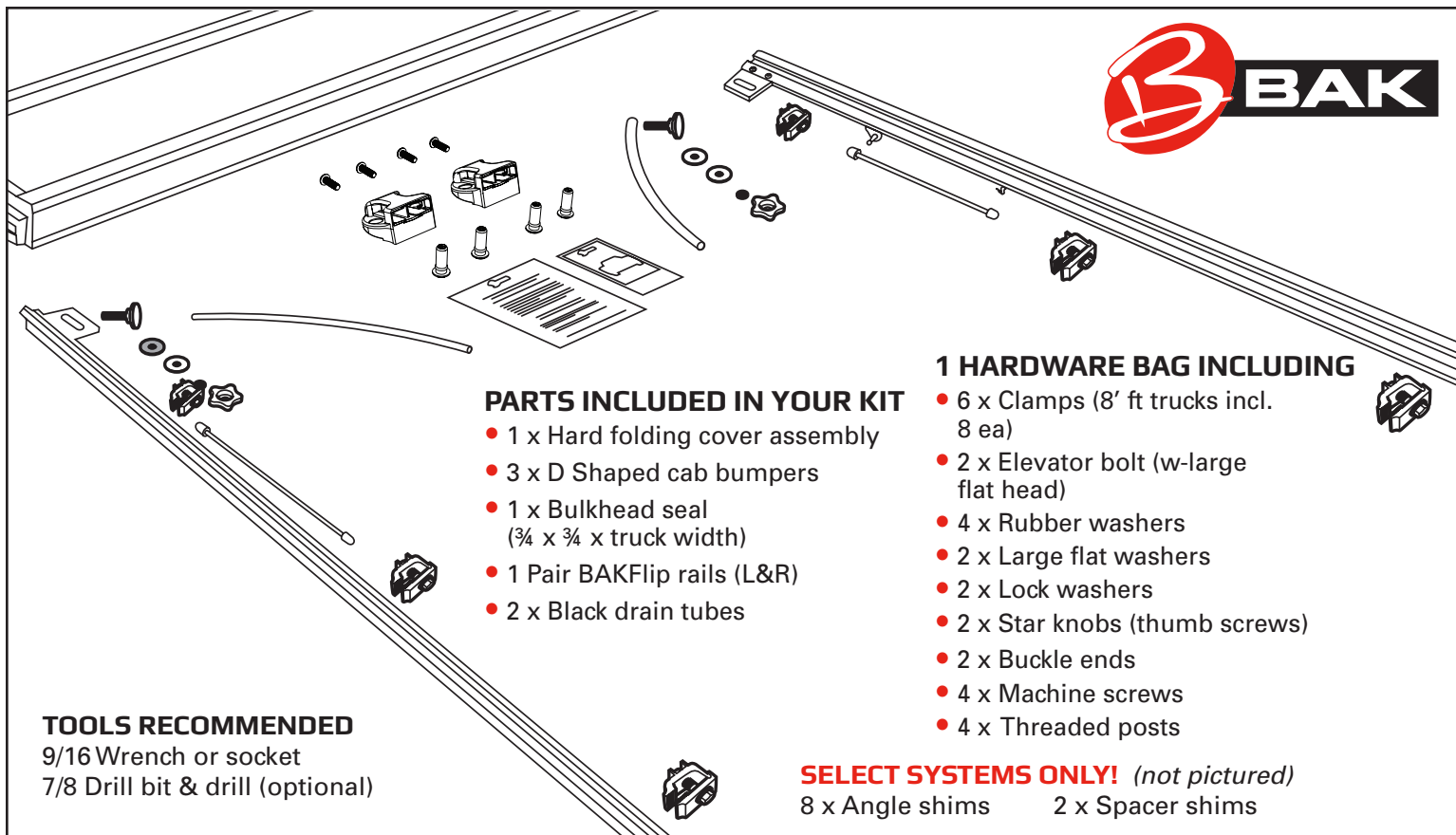
G2 VP HD F1 FIBER MAX MX4

INSTALLATION SHEET

Any damaged or missing parts?

Parts will be shipped to you directly. Call 844-779-8986

Mon - Fri 5:30 am - 4 pm Pacific Time



PARTS INCLUDED IN YOUR KIT

- 1 x Hard folding cover assembly
- 3 x D Shaped cab bumpers
- 1 x Bulkhead seal (¾ x ¾ x truck width)
- 1 Pair BAKFlip rails (L&R)
- 2 x Black drain tubes

1 HARDWARE BAG INCLUDING

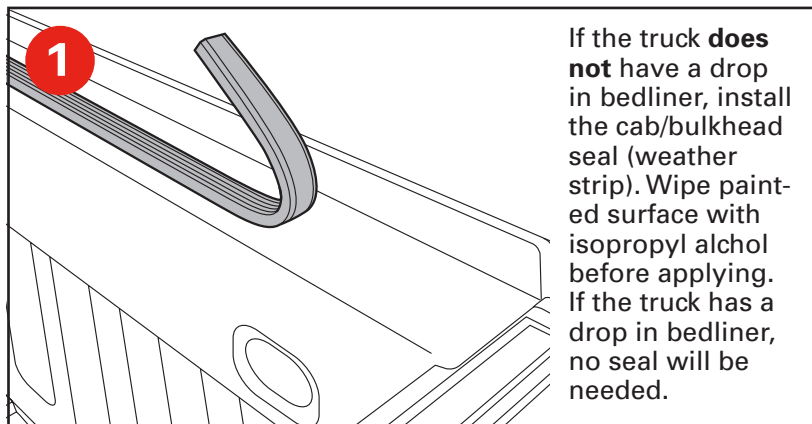
- 6 x Clamps (8' ft trucks incl. 8 ea)
- 2 x Elevator bolt (w-large flat head)
- 4 x Rubber washers
- 2 x Large flat washers
- 2 x Lock washers
- 2 x Star knobs (thumb screws)
- 2 x Buckle ends
- 4 x Machine screws
- 4 x Threaded posts

TOOLS RECOMMENDED

- 9/16 Wrench or socket
- 7/8 Drill bit & drill (optional)

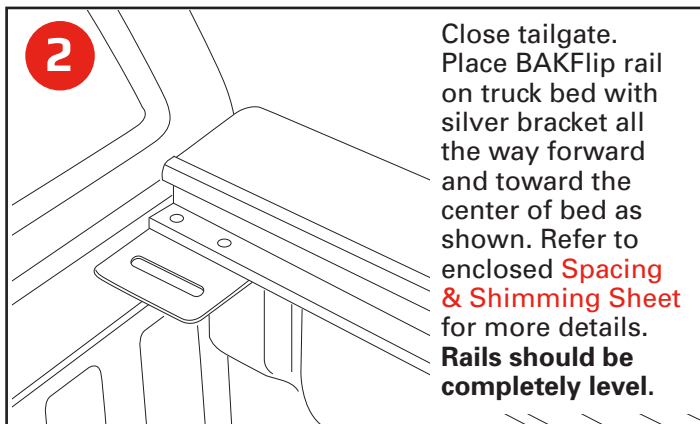
SELECT SYSTEMS ONLY! (not pictured)

- 8 x Angle shims
- 2 x Spacer shims



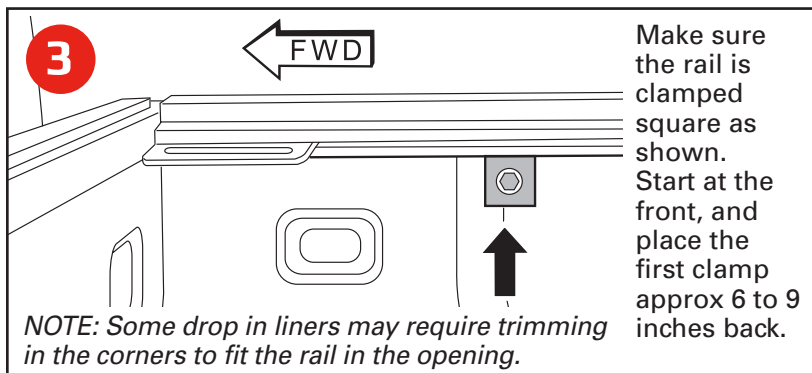
1

If the truck **does not** have a drop in bedliner, install the cab/bulkhead seal (weather strip). Wipe painted surface with isopropyl alcohol before applying. If the truck has a drop in bedliner, no seal will be needed.



2

Close tailgate. Place BAKFlip rail on truck bed with silver bracket all the way forward and toward the center of bed as shown. Refer to enclosed **Spacing & Shimming Sheet** for more details. **Rails should be completely level.**

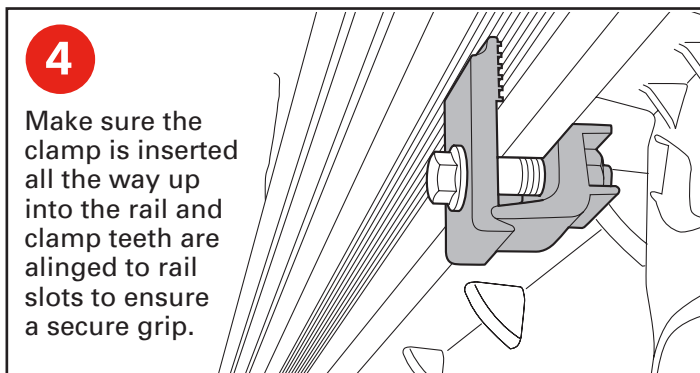


3

FWD

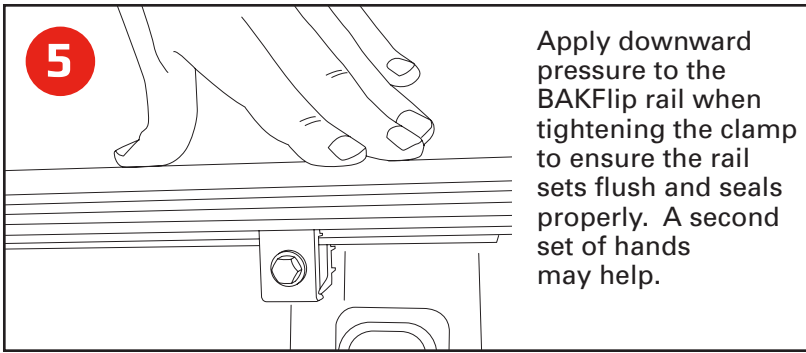
Make sure the rail is clamped square as shown. Start at the front, and place the first clamp approx 6 to 9 inches back.

NOTE: Some drop in liners may require trimming in the corners to fit the rail in the opening.

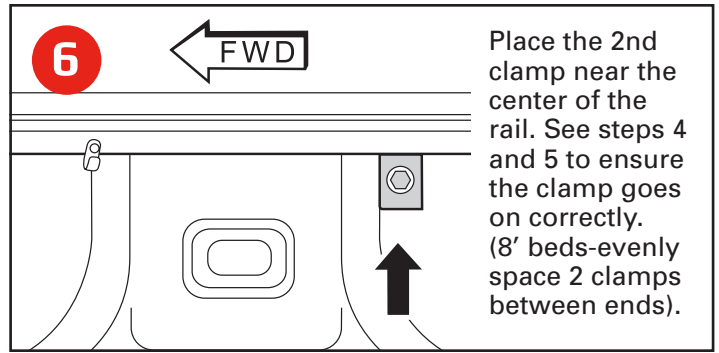


4

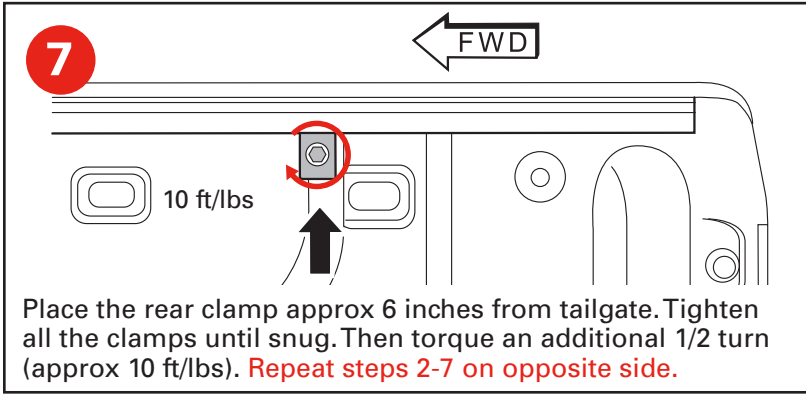
Make sure the clamp is inserted all the way up into the rail and clamp teeth are aligned to rail slots to ensure a secure grip.



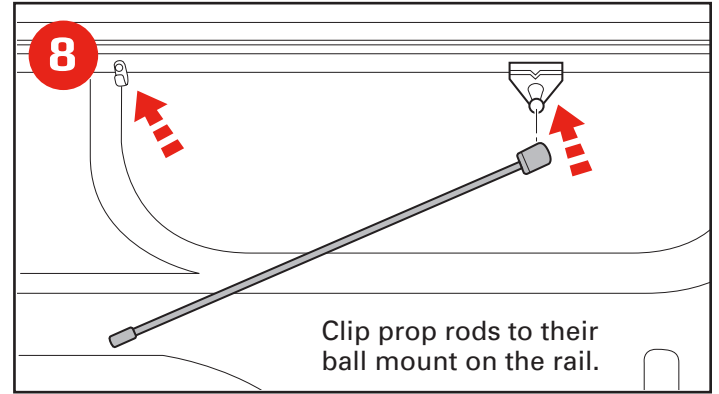
5 Apply downward pressure to the BAKFlip rail when tightening the clamp to ensure the rail sets flush and seals properly. A second set of hands may help.



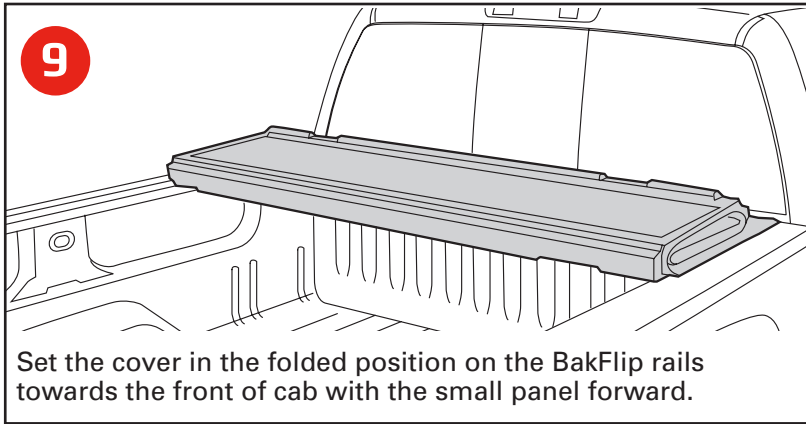
6 Place the 2nd clamp near the center of the rail. See steps 4 and 5 to ensure the clamp goes on correctly. (8' beds-evenly space 2 clamps between ends).



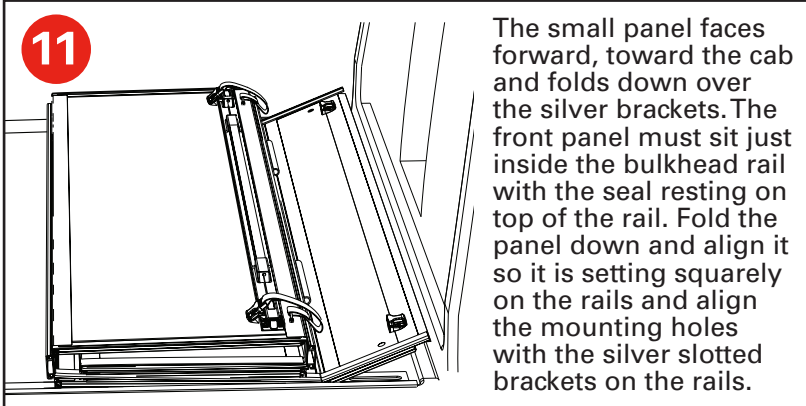
7 Place the rear clamp approx 6 inches from tailgate. Tighten all the clamps until snug. Then torque an additional 1/2 turn (approx 10 ft/lbs). Repeat steps 2-7 on opposite side.



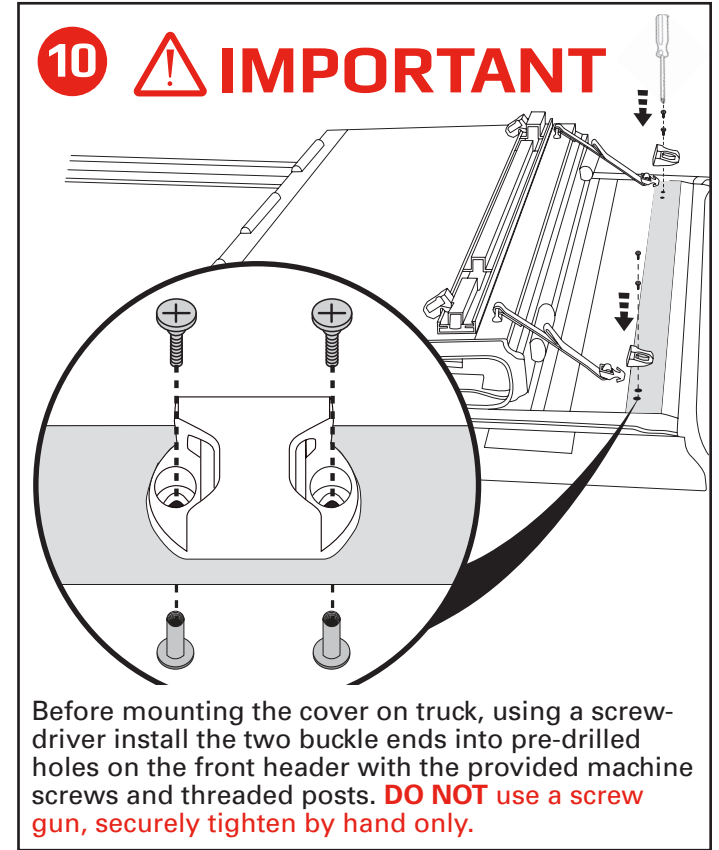
8 Clip prop rods to their ball mount on the rail.



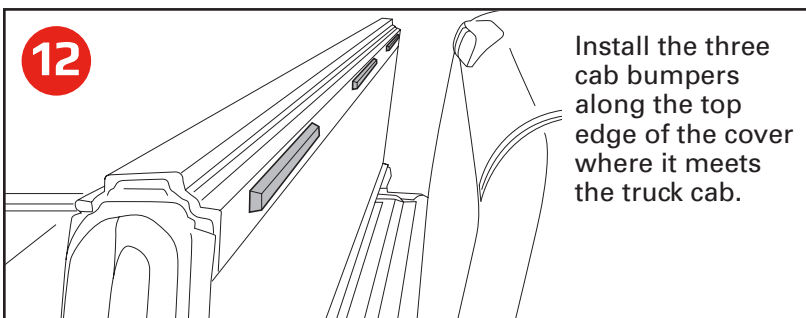
9 Set the cover in the folded position on the BakFlip rails towards the front of cab with the small panel forward.



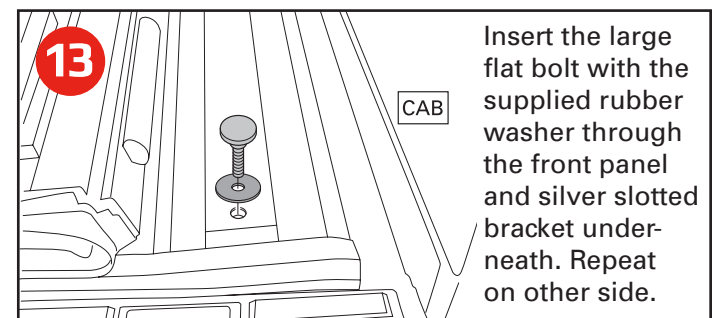
11 The small panel faces forward, toward the cab and folds down over the silver brackets. The front panel must sit just inside the bulkhead rail with the seal resting on top of the rail. Fold the panel down and align it so it is setting squarely on the rails and align the mounting holes with the silver slotted brackets on the rails.



10 **IMPORTANT** Before mounting the cover on truck, using a screwdriver install the two buckle ends into pre-drilled holes on the front header with the provided machine screws and threaded posts. **DO NOT** use a screw gun, securely tighten by hand only.

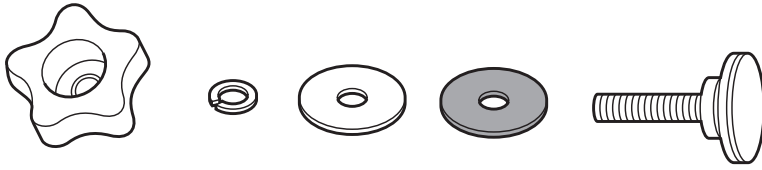


12 Install the three cab bumpers along the top edge of the cover where it meets the truck cab.



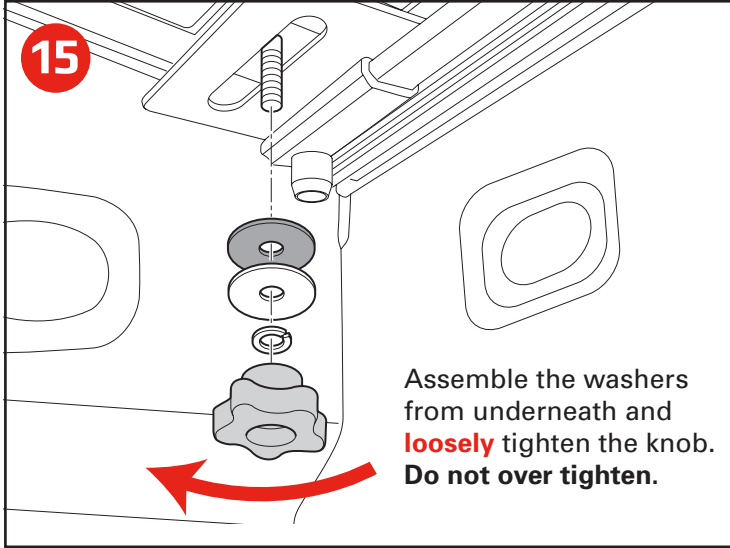
13 Insert the large flat bolt with the supplied rubber washer through the front panel and silver slotted bracket underneath. Repeat on other side.

14



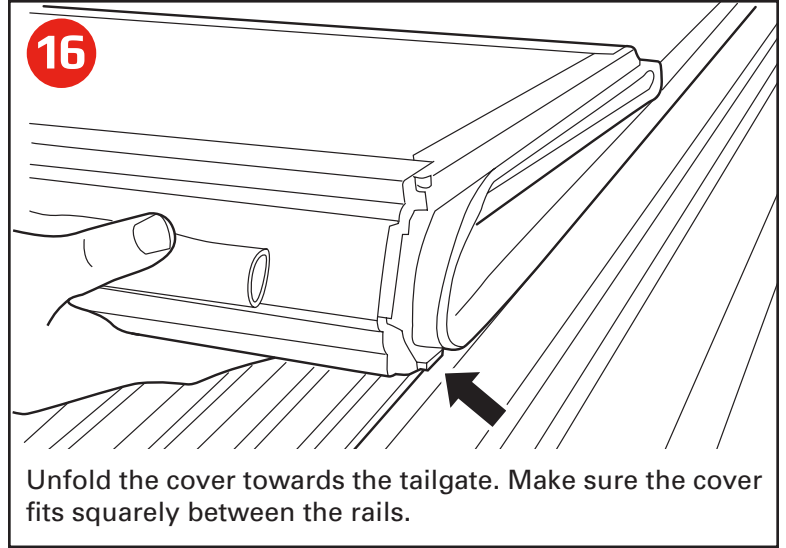
The large flat bolt goes down through the front panel on each side. Underneath the cover, the order of washers is as follows: rubber washer first, then large flat stainless washer, then the lock washer, and finally the 5 star finger knob as shown to the left.

15



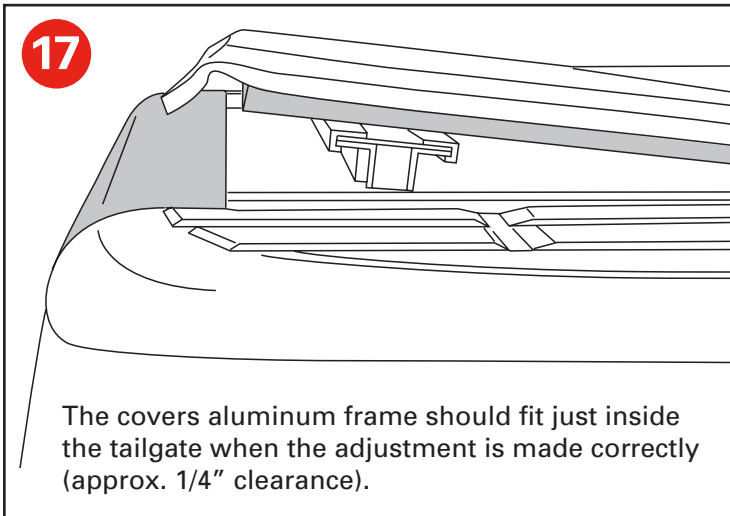
Assemble the washers from underneath and **loosely** tighten the knob. **Do not over tighten.**

16



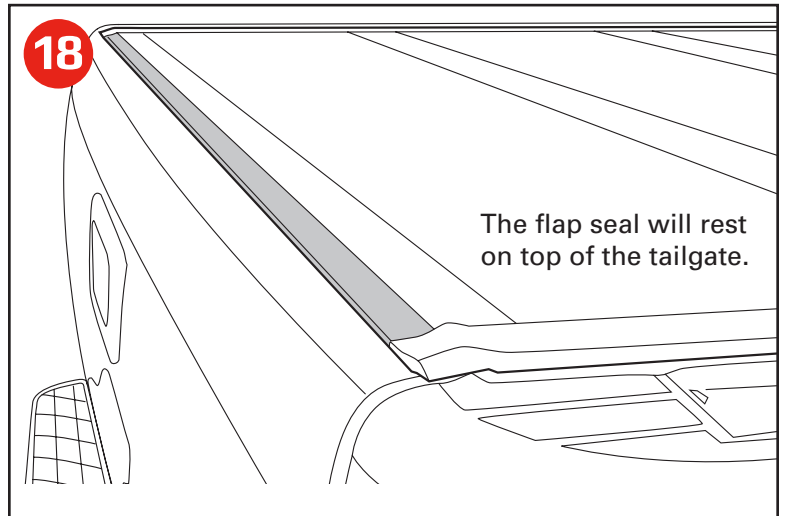
Unfold the cover towards the tailgate. Make sure the cover fits squarely between the rails.

17



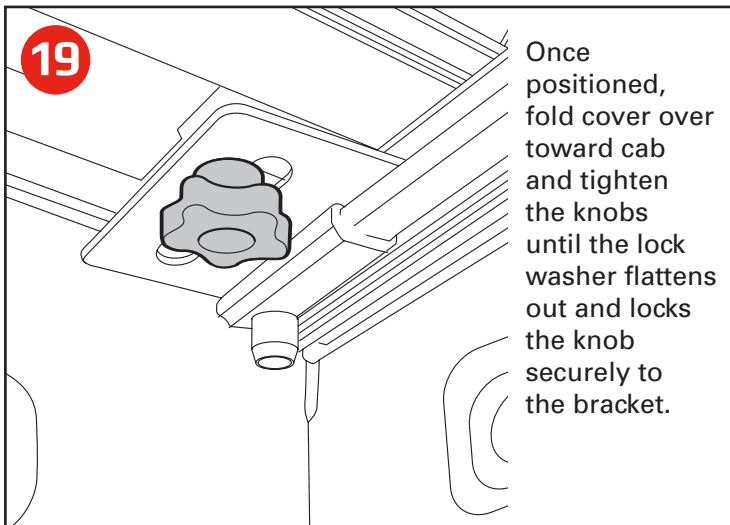
The covers aluminum frame should fit just inside the tailgate when the adjustment is made correctly (approx. 1/4" clearance).

18



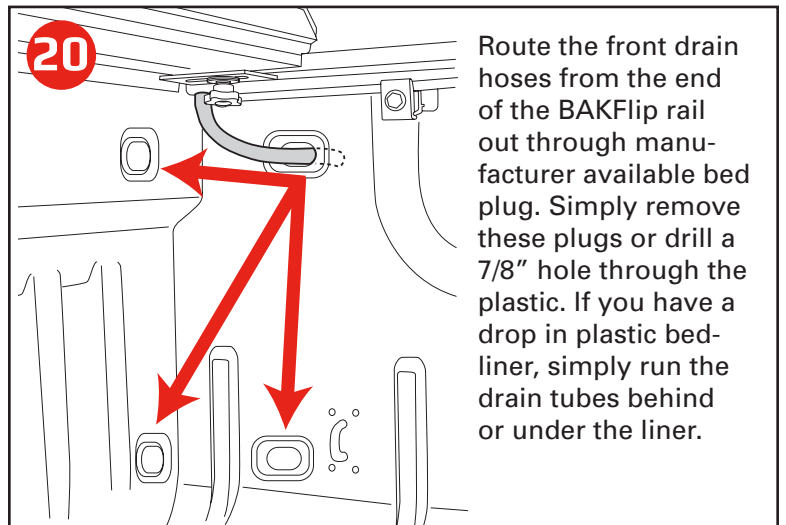
The flap seal will rest on top of the tailgate.

19



Once positioned, fold cover over toward cab and tighten the knobs until the lock washer flattens out and locks the knob securely to the bracket.

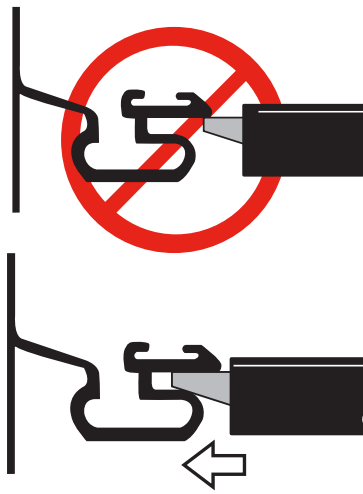
20



Route the front drain hoses from the end of the BAKFlip rail out through manufacturer available bed plug. Simply remove these plugs or drill a 7/8" hole through the plastic. If you have a drop in plastic bed liner, simply run the drain tubes behind or under the liner.

21

Check to see that cover panel latches make proper contact with side rails.



22

Sometimes, your side seals of your BakFlip cover will appear to be wrinkled shortly after initially installing the cover. To assist seals in laying flat you can leave your truck in the sun, or to expedite, just apply heat with a hair dryer or heat gun. See this video for a good look at how it's done.



IMPORTANT BAKFlip safe operation and use

IMPORTANT NOTICE

While driving, cover must be completely flat and secure with all latches in the closed position OR completely folded up (all panels) and secured at the cab. **DO NOT DRIVE** with cover partially opened.

Tonneau Cover Positions While Operating Vehicle

Prior to vehicle operation, tonneau cover **MUST** be properly secured.

CLOSED POSITION

All panels must be closed and **FULLY LATCHED** to tonneau side rail.
All panels must be flat and latches engaged

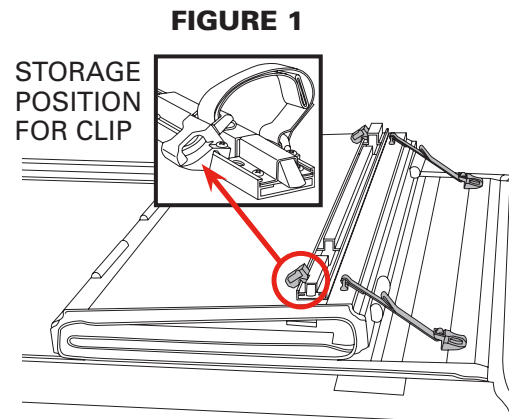
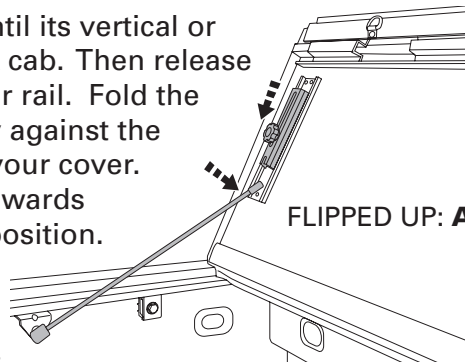
FOLDED UP POSITION

To drive with your cover in the folded up position, simply make use of the tie down straps and buckles provided with your cover. Ensure **BOTH** buckle clips are fully inserted into the buckle ends located on the front header panel of the cover and adjust the straps to ensure the cover is secure during vehicle operation. The clips should be secured in the storage position, as shown in Figure 1, when not in use.

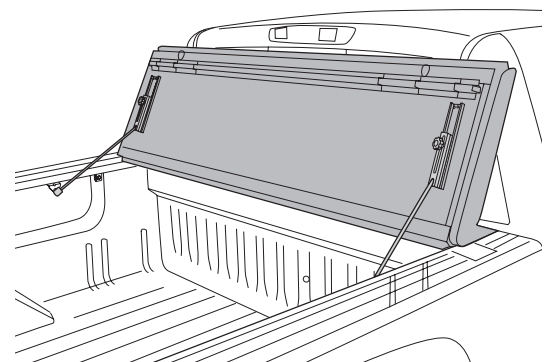
FLIPPED UP POSITION

A) Fold the cover open and lift it until its vertical or past 90 degrees towards your truck cab. Then release the prop rod that is attached to your rail. Fold the prop rod over and position it firmly against the vertical plate on the underside of your cover. Then slide the prop rod locks downwards and tighten the knobs to lock into position. Do this on both sides of the cover.

B) Your cover should be firmly in position with little to no movement once the prop rods are locked.



FOLDED UP POSITION



FLIPPED UP: B

Tail Panel Operation TO CLOSE THE TAILGATE PANEL

■ **WARNING** – to avoid damage, always shut tailgate before closing cover. DO NOT shut your tailgate when the rear panel of your cover is closed.

***EXCEPTION** - BAKFlip MX4 offer's a universal tailgate seal which allows the tailgate to close with the cover up or down.*

TO RAISE THE TAILGATE PANEL

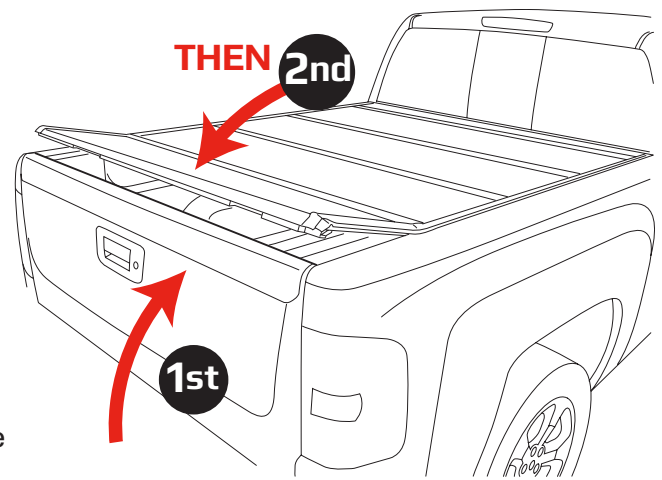
- Open the tailgate and reach under the panel for the cable at the ends of the panel housing.
- Pull down on either cable to release both rear latches with one hand while lifting the panel with the other hand.

DO NOT ATTEMPT TO DRIVE WITH THE TAIL PANEL IN THE PARTIALLY OPEN POSITION!

Additional Important Operating Tips

- Tonneau cover **MUST** be free of foreign material including snow and ice before opening panels.
- Do NOT tow your vehicle from the rear with the tonneau on your truck.
- Do NOT operate vehicle with objects on top of cover.

FAILURE TO FOLLOW THESE CAUTIONS MAY RESULT IN SEVERE DAMAGE AND WILL VOID YOUR WARRANTY!



Remove any snow or foreign matter before folding cover.



Do NOT tow your vehicle from the rear with this cover on your truck.

Warranty

BAK® Industries ("BAK") warrants your BAKFlip Hard Folding Cover to be structurally free from defects in material and workmanship for the period as outlined in the table below from the retail date of purchase. Warranty registration must be on file and/or proof of original purchase (detailed and dated receipt) required for warranty service. Warranty is non-transferable and applies to the original purchaser of the BAK product only.

PRODUCT	WARRANTY PERIOD	REGISTER YOUR WARRANTY NOW AT BAKINDUSTRIES.COM
BAKFlip VP	1 Year Limited Warranty	
BAKFlip G2	2 Year Limited Warranty	
BAKFlip MX4	3 Year Limited Warranty	
BAKFlip HD	2 Year Limited Warranty	
BAKFlip FiberMax	2 Year Limited Warranty	
BAKFlip F1	3 Year Limited Warranty	

BAK reserves the right to determine whether a product needs to be repaired or replaced. No labor or service allowance is given or implied. The warranty will be void if the product has been damaged by accident, unreasonable use, neglect, improper service/installation/removal, modifications, acts of God or normal wear and tear or other causes not arising out of defective materials or workmanship. BAK assumes no liability for injury, loss, incidental or consequential damages. BAK reserves the right to substitute an entire replacement system or provide other remedies than those listed in this warranty for discontinued products or other reasons. Shipping charges will apply for any repair or replacement.

BAK is committed to providing you with our best service at all times. Please feel free to contact us should you require any assistance with your BAK product.

CARE AND MAINTENANCE

BAK Flip tonneaus are made from durable materials and require simple care to ensure a long life of performing well and looking great.

BAK Flip G2, HD, MX4, Fibermax & F1

Cleaning the Top (Washing)

Standard automotive soap and water with a soft sponge or cloth is recommended for cleaning. Shabby dry to keep the finish polished and brilliant. Wax is NOT recommended as it tends to fill in cracks and crevices, which may affect the textured panel finish. Do NOT use any harsh cleaners or abrasives.

BAKFlip VP

Cleaning the Top (Washing)

These stylish covers incorporate OE marine grade vinyl laminated on the top surfaces. Standard automotive soap and water used with a soft sponge or cloth is recommended for cleaning. Shabby dry to prevent water spots and ensure a rich dark finish.

Treating the Vinyl Top

3M 303 Aerospace Protectant may be used to keep the vinyl surface clean and protected from the elements and will also remove any water spots that may have developed. 303 Aerospace not only protects against fading, discoloration and cracking from harmful UV rays, but repels dust and stains. Simply spray on and wipe dry for a beautiful, matte finish that protects your cover from road grime and dust.

All BAKFlip

Maintenance

It is recommended that you periodically check your cover is securely attached to your truck bed. Inspect the clamps and front mounting bolts to ensure they were properly installed and have not come loose or knocked out of adjustment during operation. Covers that are used with high frequency or that are subject to the vibrations and impact from rough roadways can cause the cover to require adjustment.

Lubricating the Latches

It is recommended that you periodically inspect and service the latches on each panel. Clean away any excess dirt or grime and lubricate with silicone spray. Ensure the latches move freely in and out to properly engage the side rail and provide proper performance with optimum security. Be careful not to overspray the cover. Wipe away any excess around the latch location.