

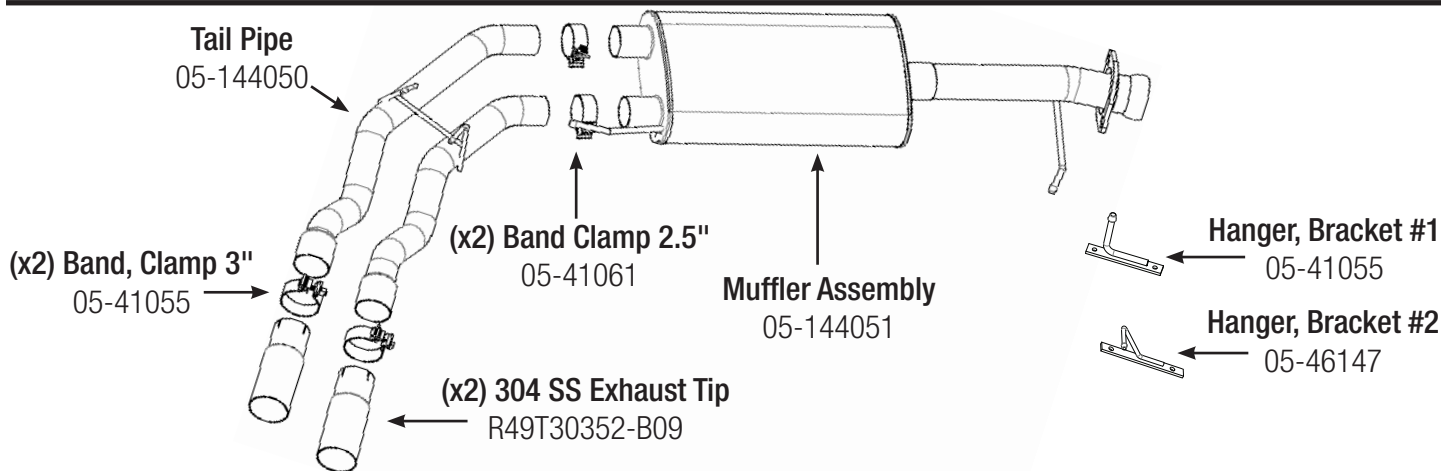


INSTALLATION INSTRUCTIONS

MAKE: Ford
 MODEL: F-150 Raptor
 YEAR: 2010-2014
 ENGINE: V8-6.2L

Cat Back
409 Stainless Steel
49-43071-B (Black Tips)

NOTE: THIS SYSTEM WILL ONLY FIT: 145"wb = SuperCrew/ 5.6ft.



Caution: Allow time for your vehicle to cool down prior to installation. When working on or under your vehicle proceed with caution. Exhaust systems reach high temperatures and may cause serious burns. Wear protective safety equipment; eye goggles and gloves to ensure a safe installation.

- Step 1:** (Read Instructions prior to installation) properly support your stock exhaust system, and remove your stock exhaust up to the catalytic converter from the rear of your truck, working your way forward. Take caution not to damage the factory hardware and isolation mounts. (It is recommended to not fully tighten the clamps until the entire system has been installed.)
- Step 2:** For faster installation spread the pieces of the exhaust alongside of your vehicle according to the diagram shown.
- Step 3:** Start by placing clip-on nuts into frame, as shown on **(figure A)**. The clip-on nuts should slide right in hassle free.



- Step 4:** Now that the clip-on nuts are in place, place Hanger bracket #1 over clip-on nuts and tighten bracket down securely with the proper bolts provided.
- Step 5:** Attach Hanger bracket #2 on right side of OE leaf spring bracket, using the bolts and nuts provided as shown on **(figure B)**.
- Step 6:** Using a Jack/Stand for support, place the muffler assembly in place, using the OE flange bolts and the M10x1.5 nuts provided. Bolt flanges together but do not fully tighten!
- Step 7:** Spray the holes on OE rubber isolation mount as well as the ones provided with WD-40 to lubricate for easy install of rubber mount. Slip on Rubber mount provided on front hanger of muffler assy. and Hanger bracket #1. Place the OE rubber mount on rear hanger of muffler assy. and slip on to OE hanger.
- Step 8:** Place 2.5" band clamps provided over the muffler exits. Insert the rubber isolation mount provided over the tail-pipe hangers, slide it back as far as possible to clear when inserting into hanger bracket #2
- Step 9:** Slip tail-pipes into place with muffler assy. Slide rubber mount into hanger bracket #2
- Step 10:** Place tips into desired position, but do not fully tighten them!



(Figure B.)

- Step 11:** align and straighten exhaust and begin to tighten down system beginning at the front flange and working your way back and ending at the tip location.
- Step 12:** Congratulations, Your system is now complete and fully installed! It is recommended to re-tighten all clamps and bolts after 50-100 miles.

NOTES:

- aFe recommends that the tailpipe be at least 1/2"-1" away from any body panels to avoid heat related body damage. **Tighten and secure.**
- It is normal for your exhaust system to emit smoke for the first few minutes upon initial start-up.