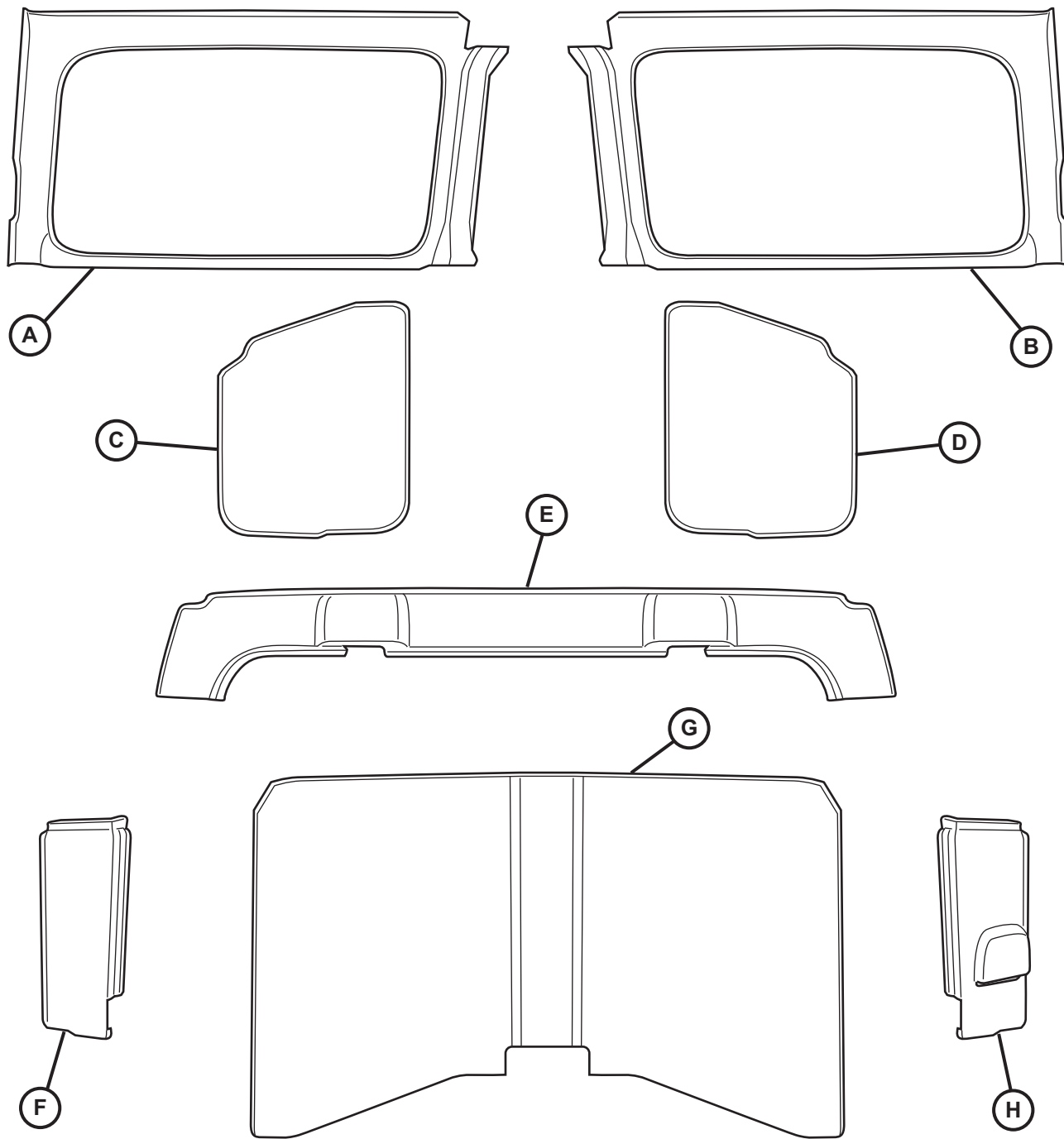
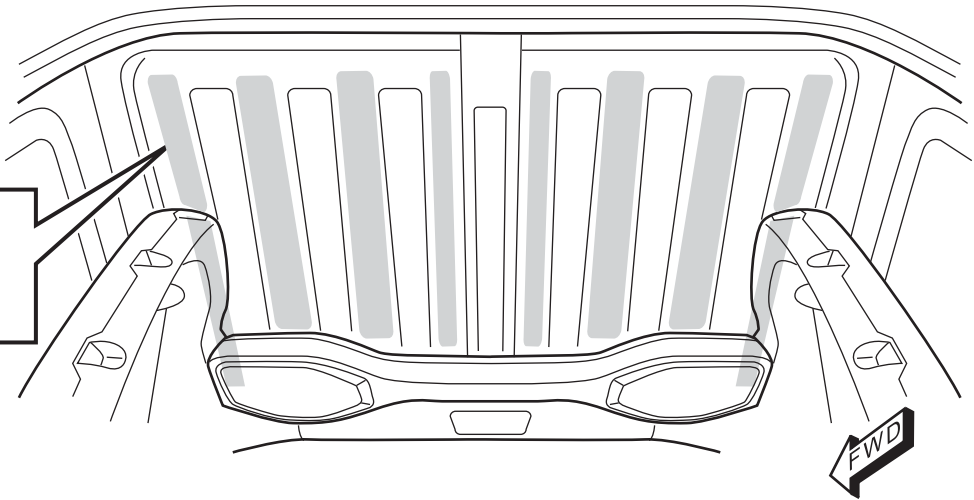
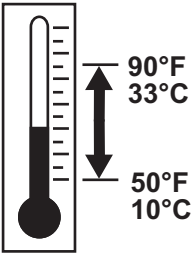
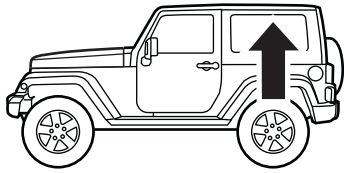




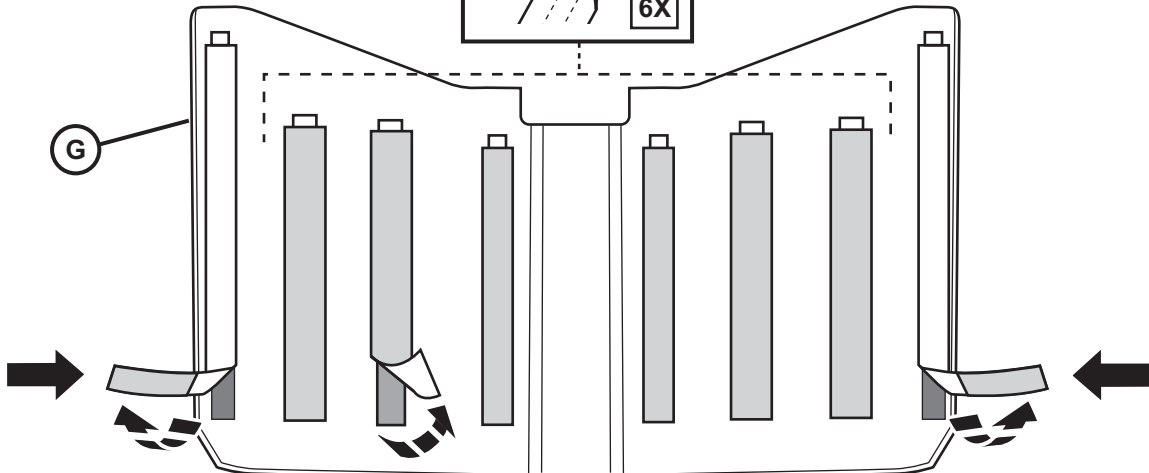
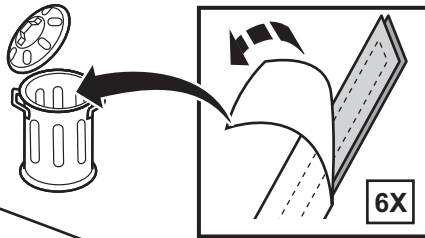
REMOVABLE HEADLINER JEEP WRANGLER 2-DOOR

www.mopar.com

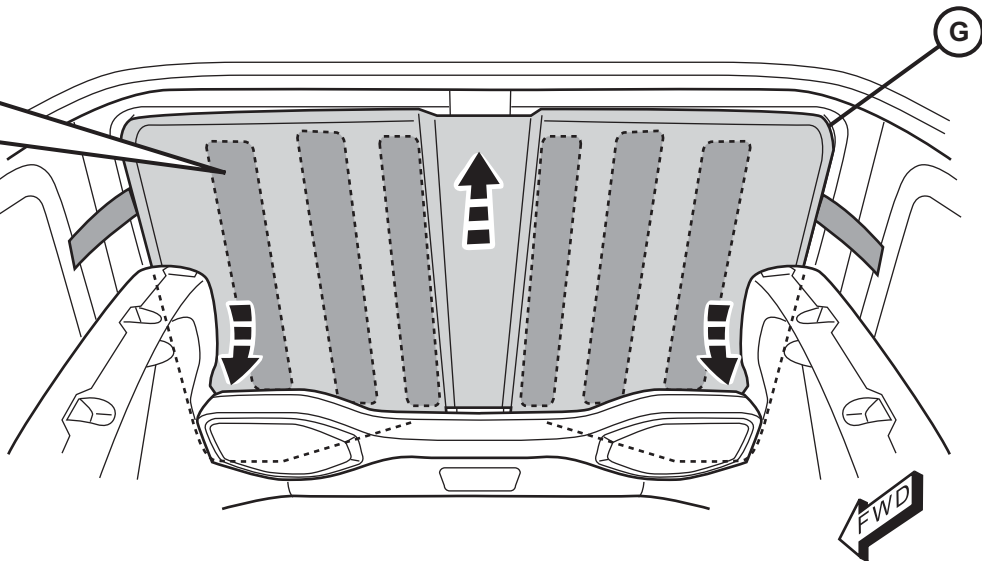
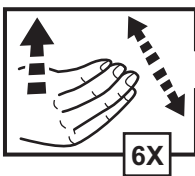




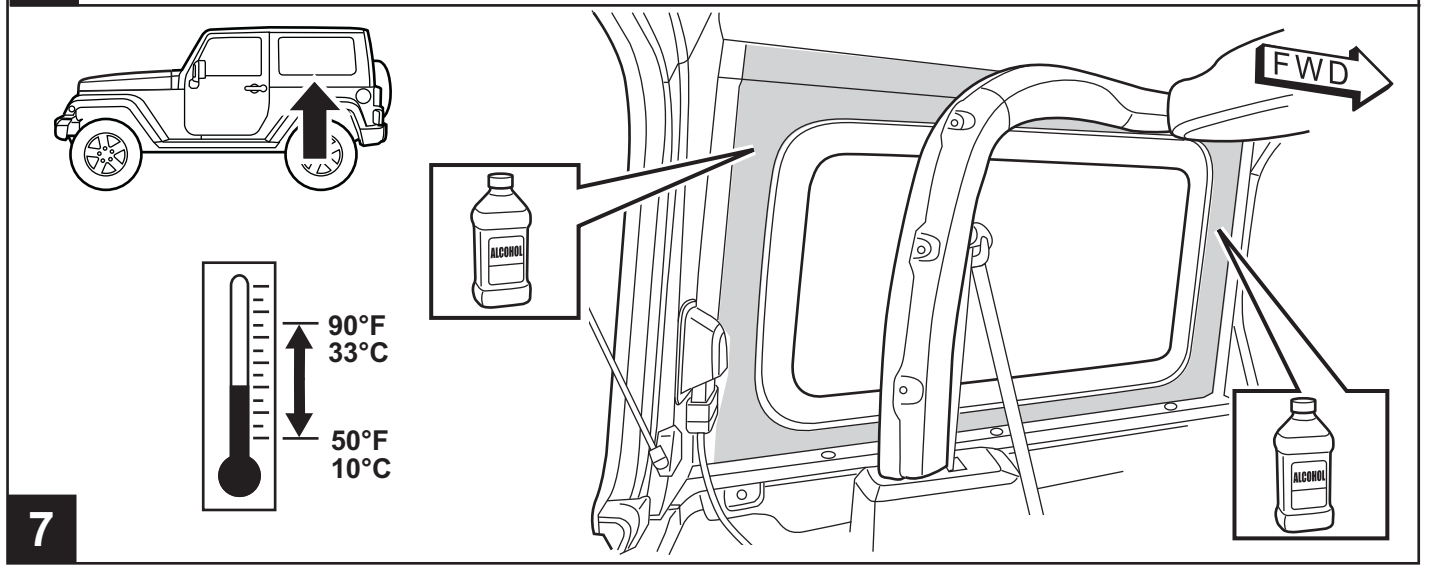
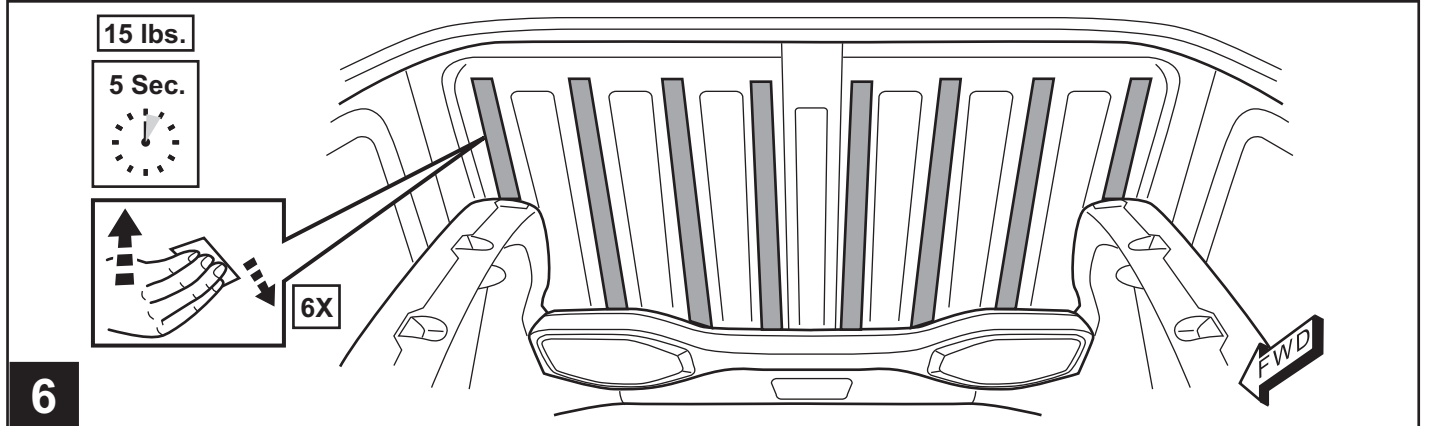
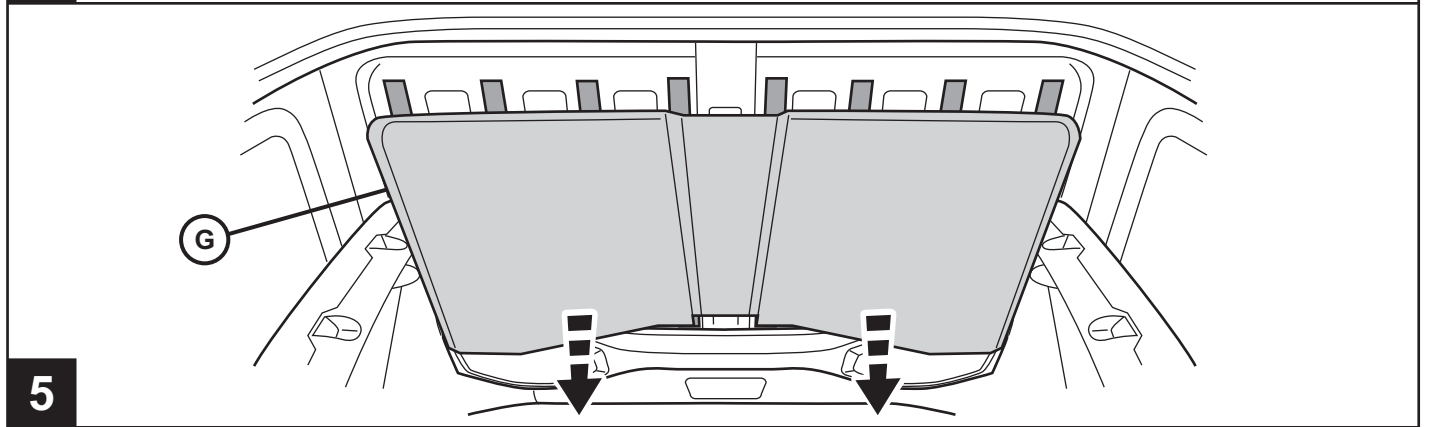
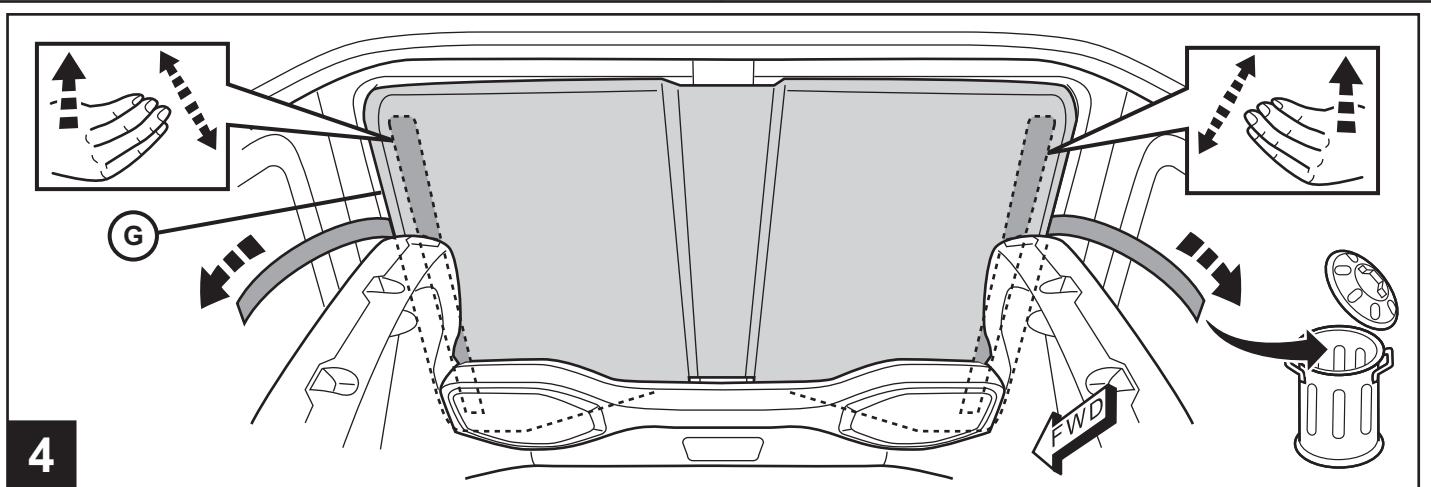
1

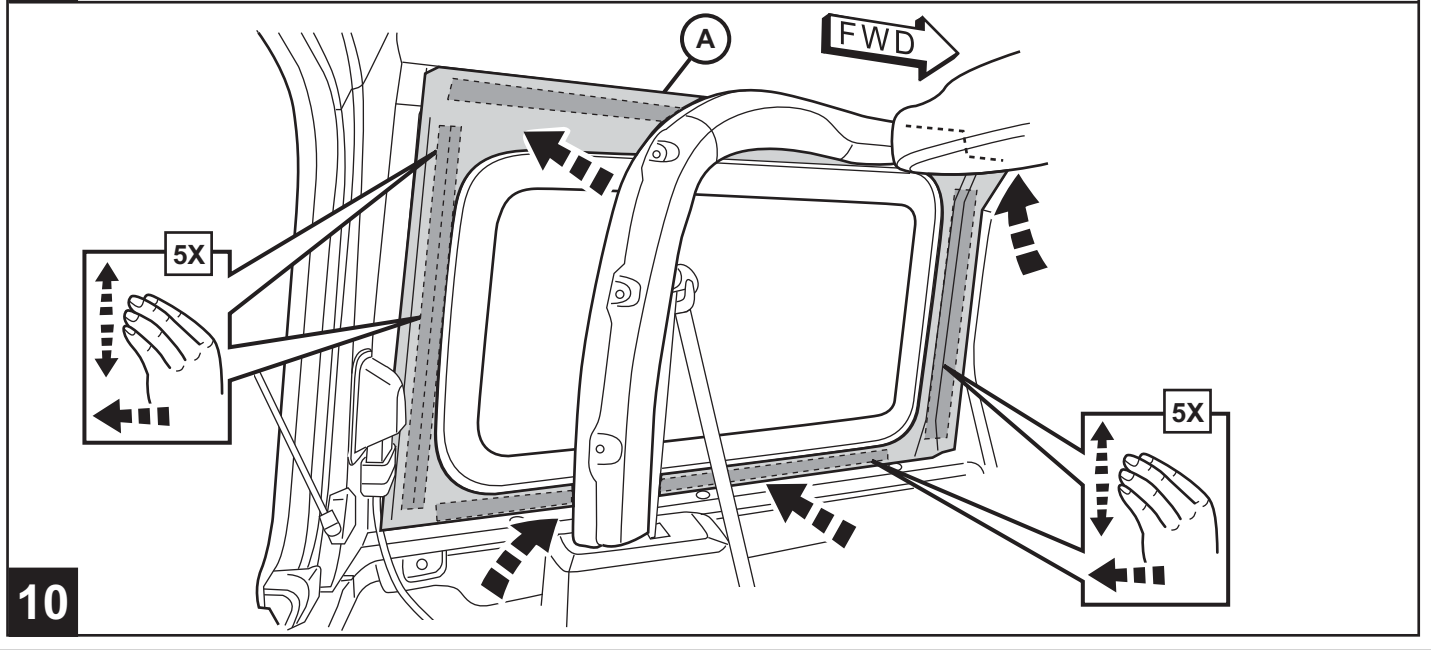
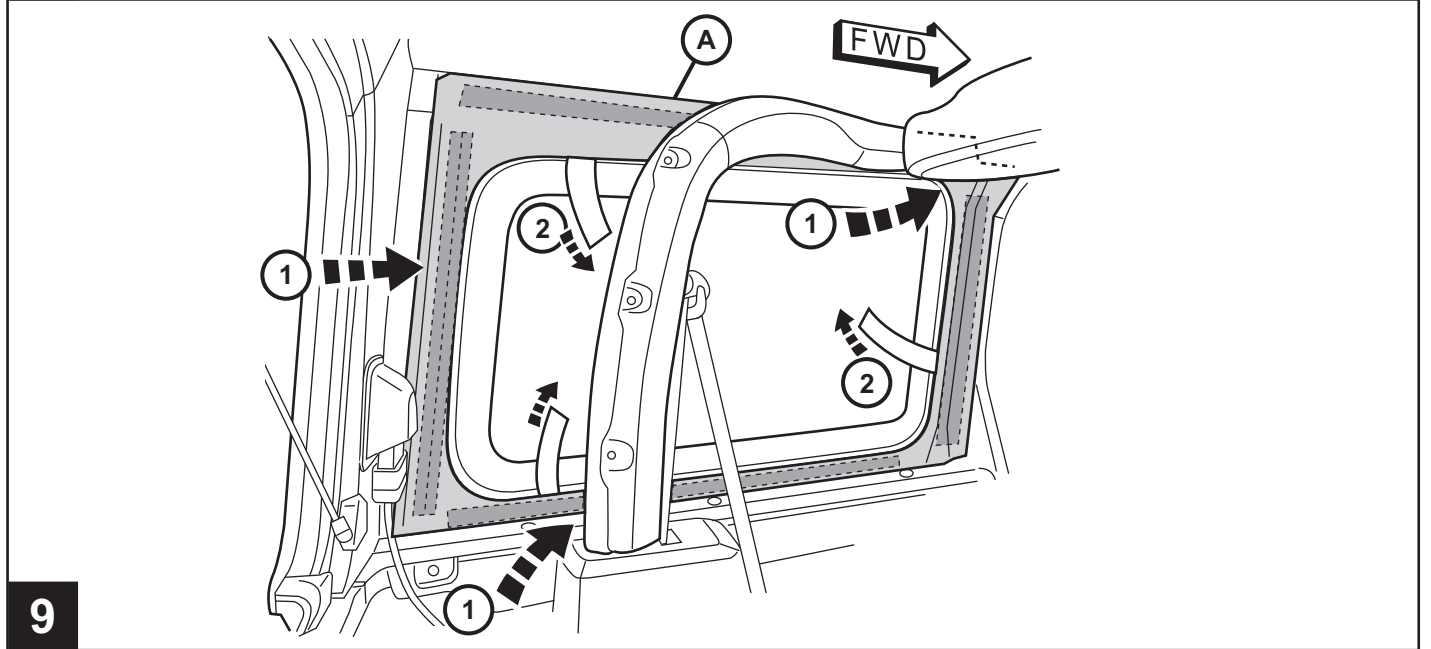
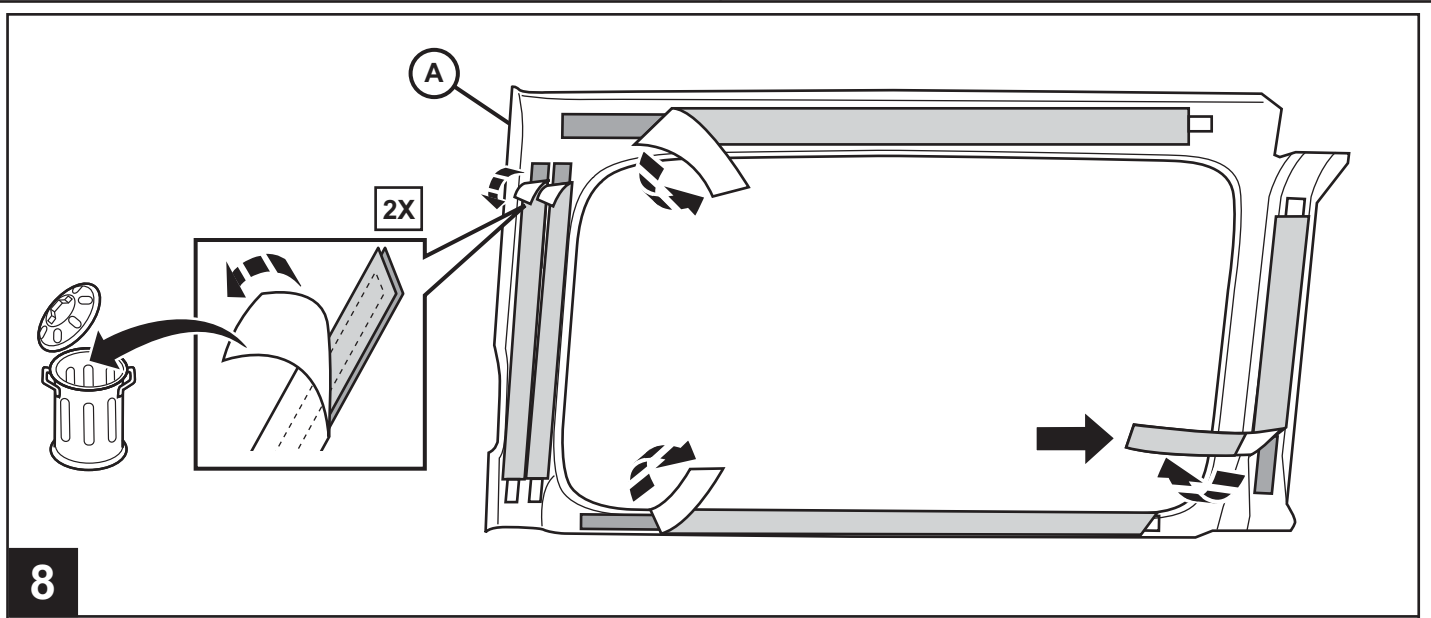


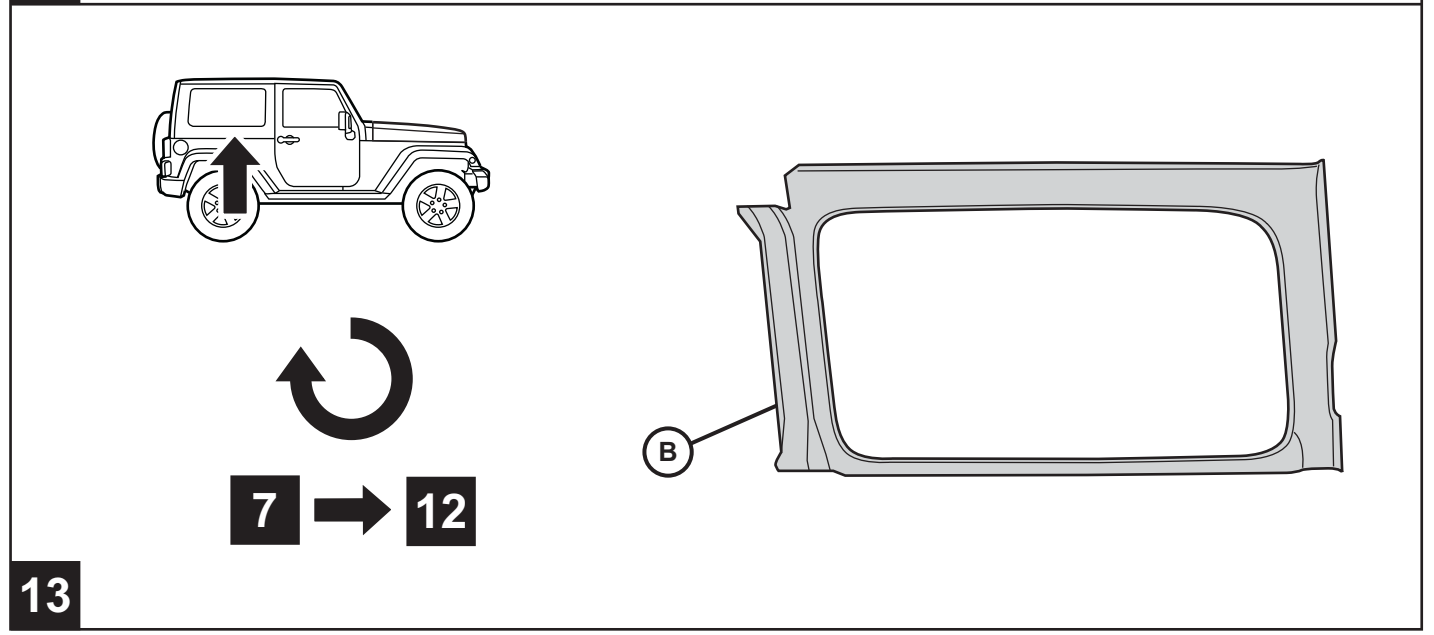
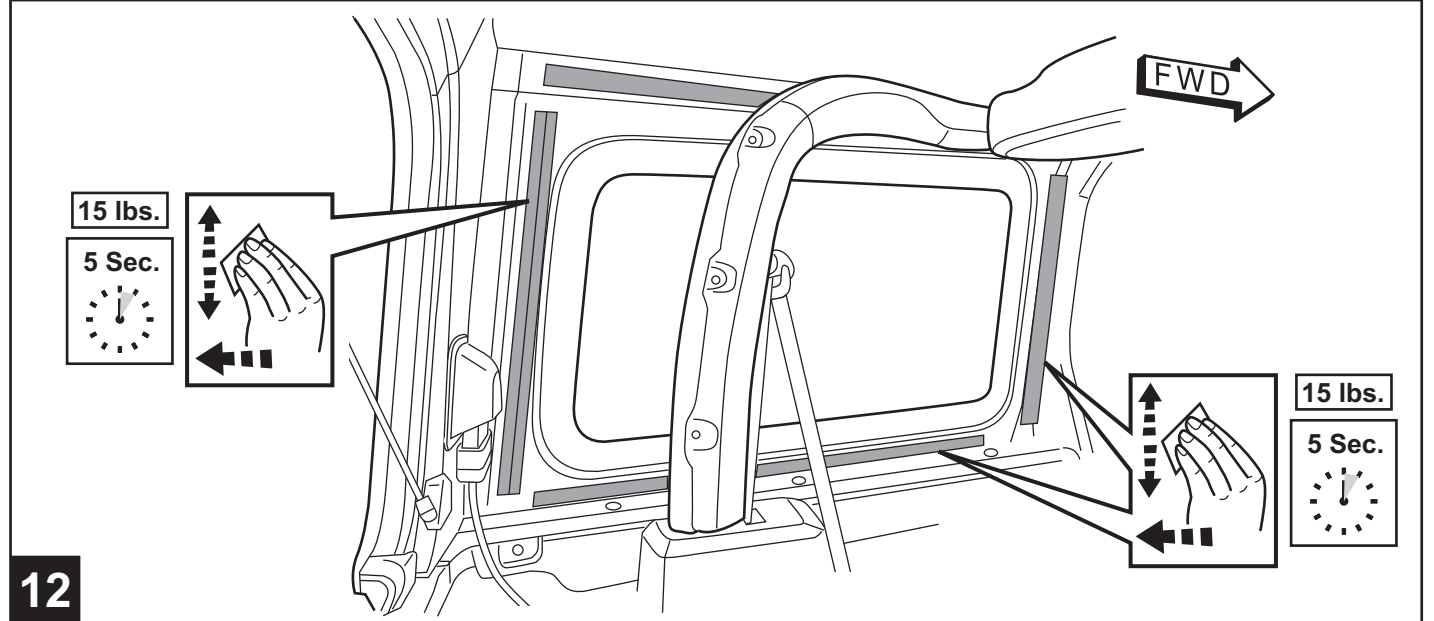
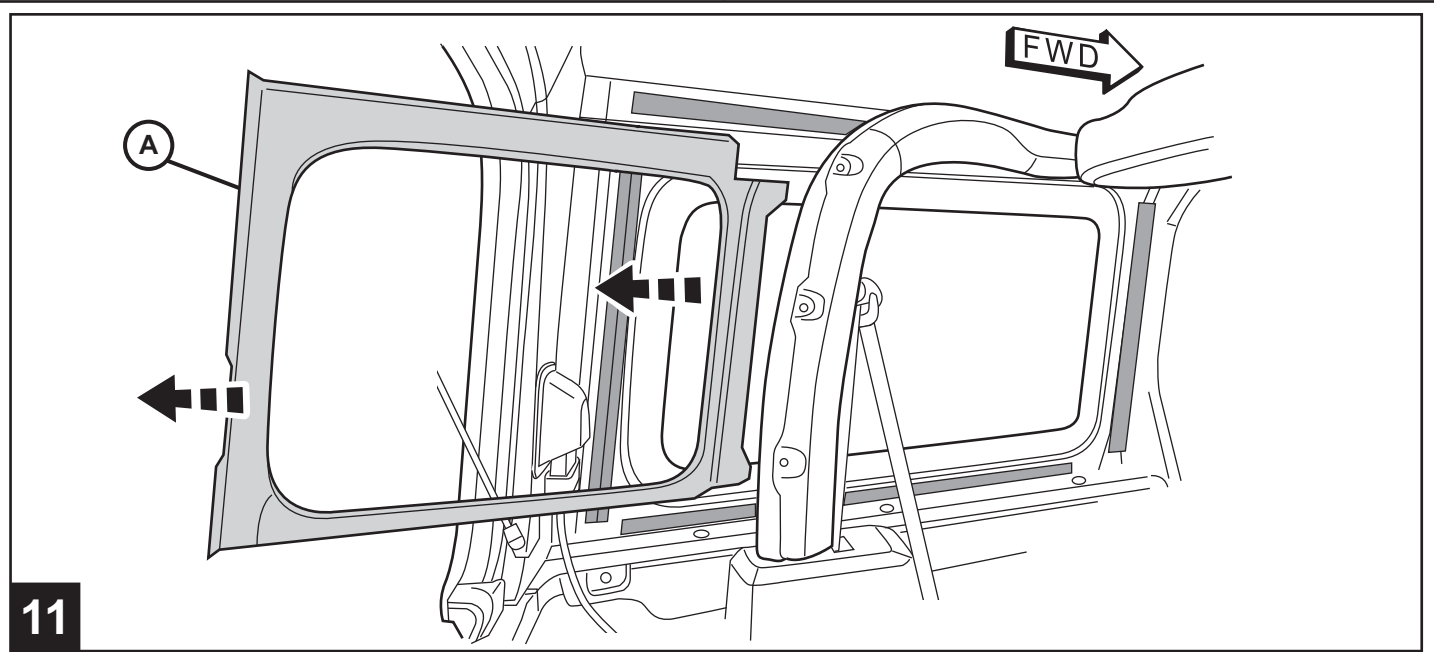
2

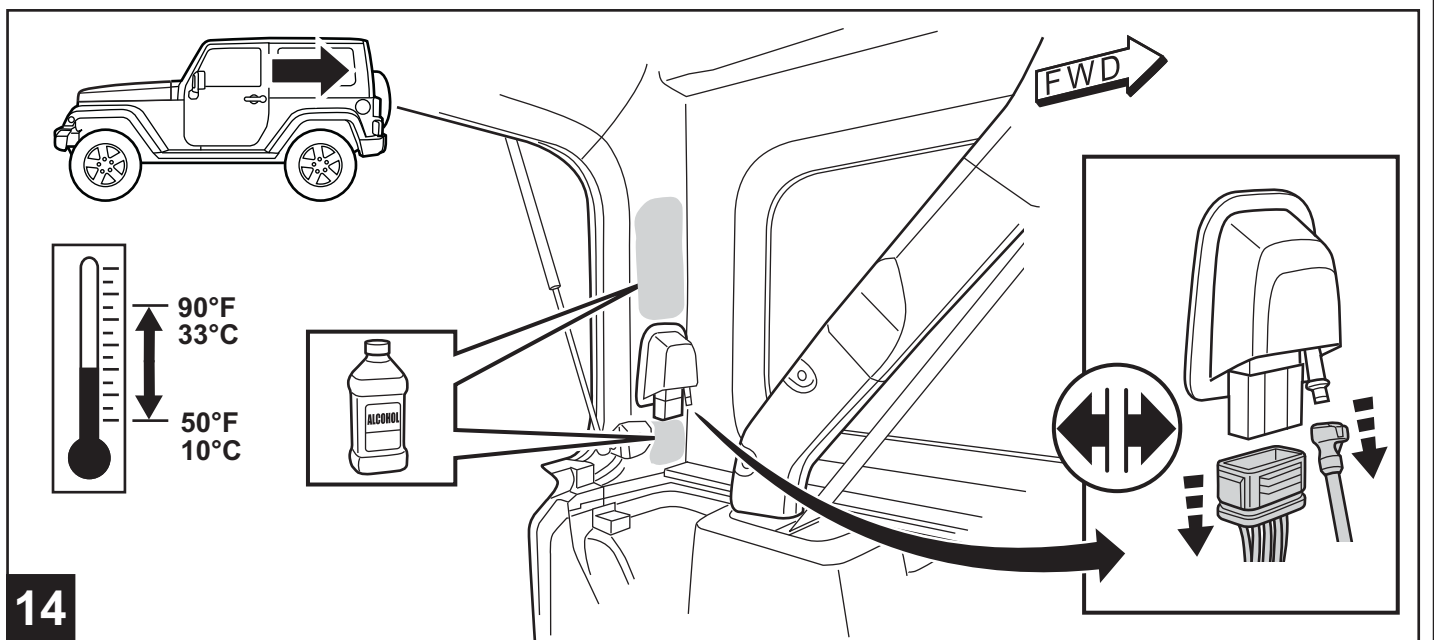


3

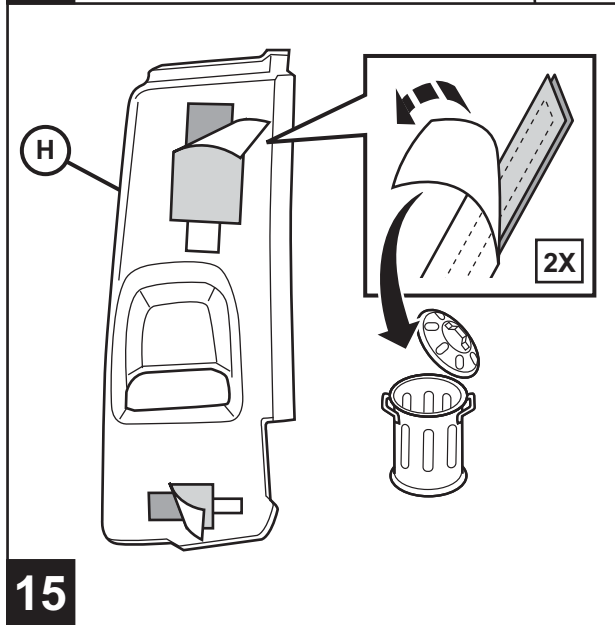




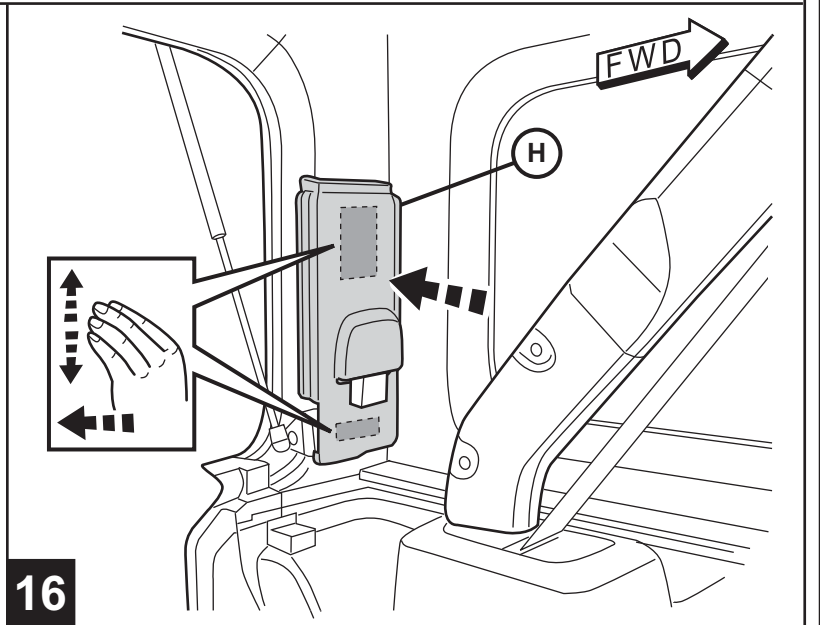




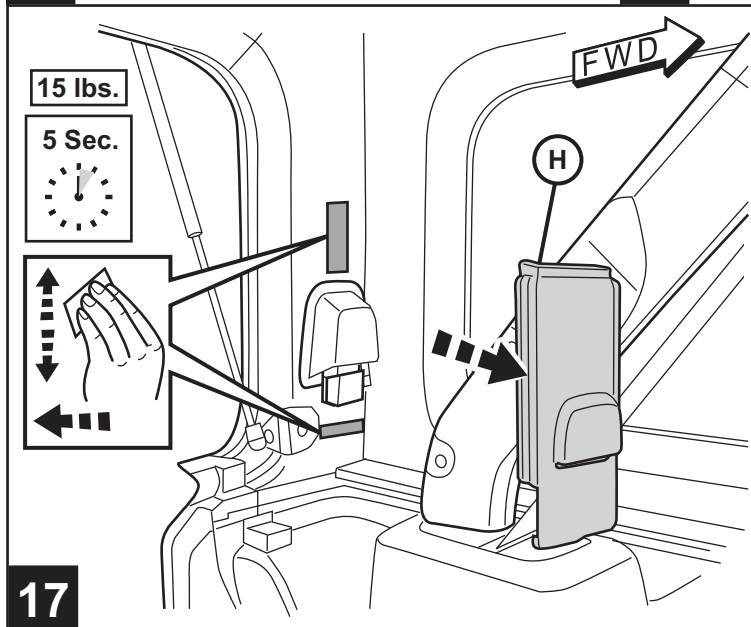
14



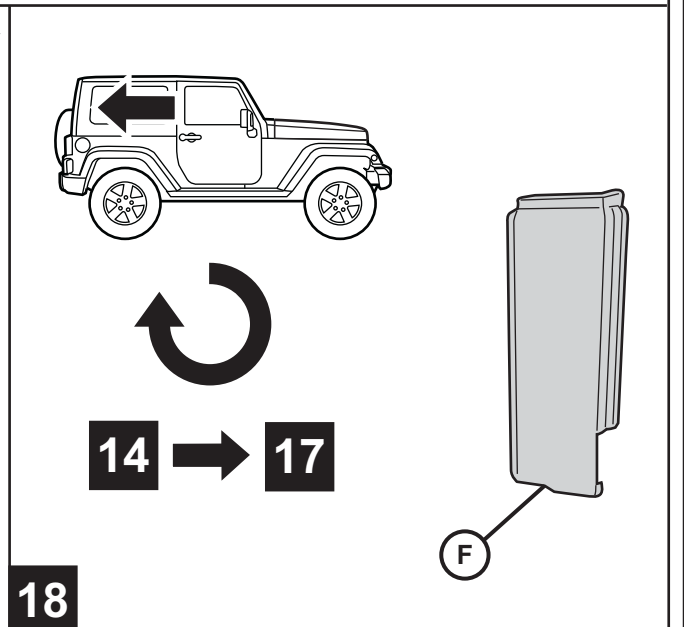
15



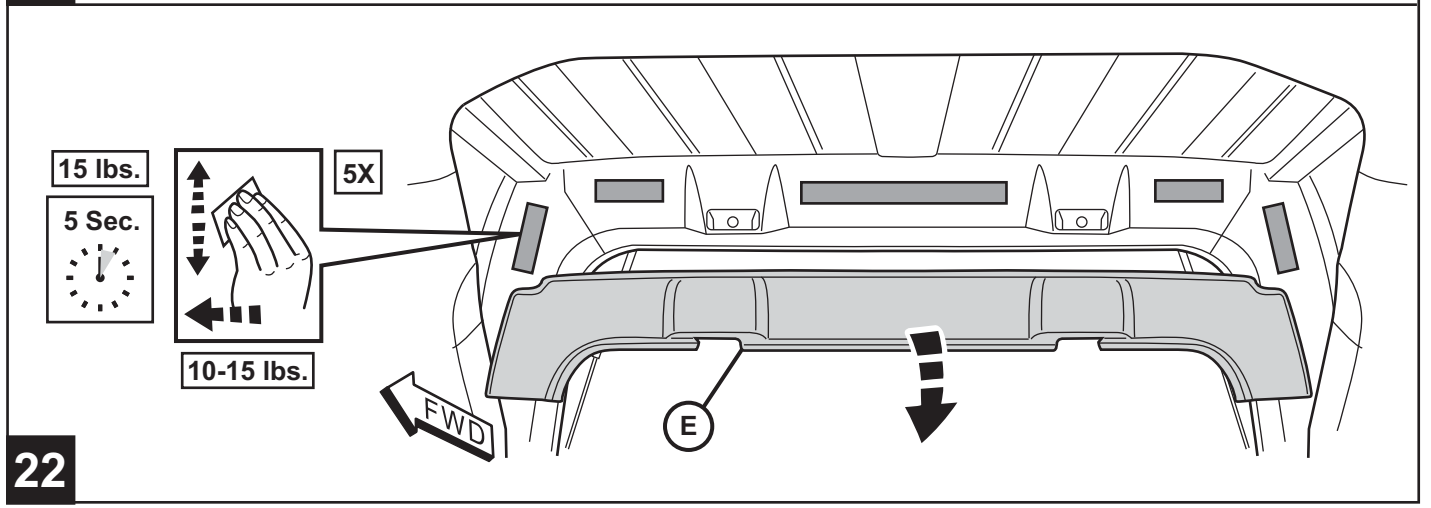
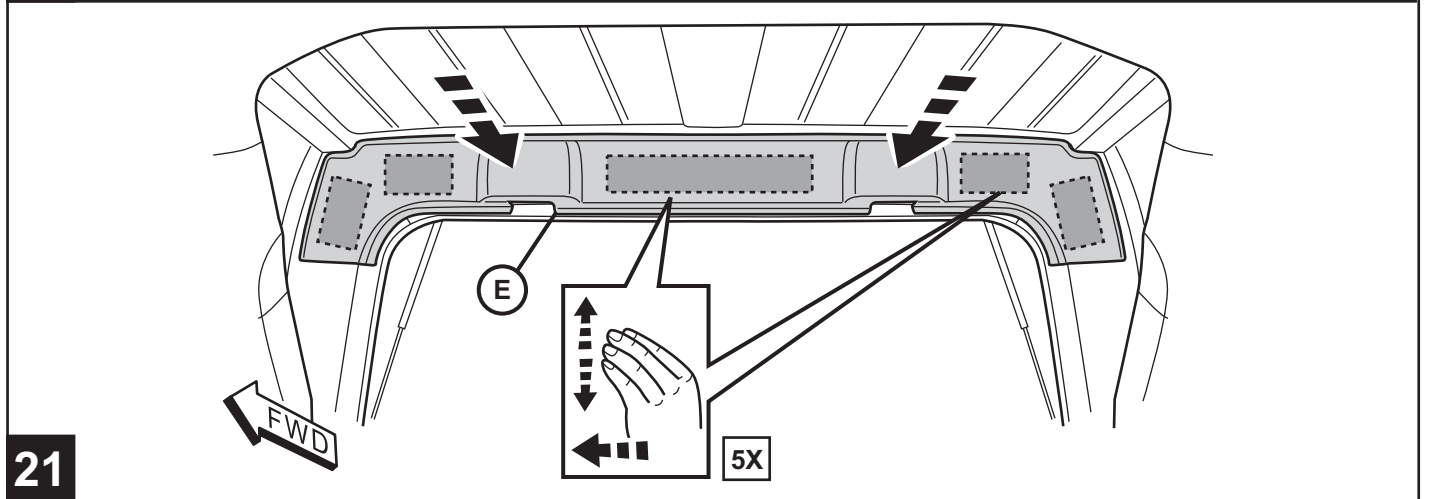
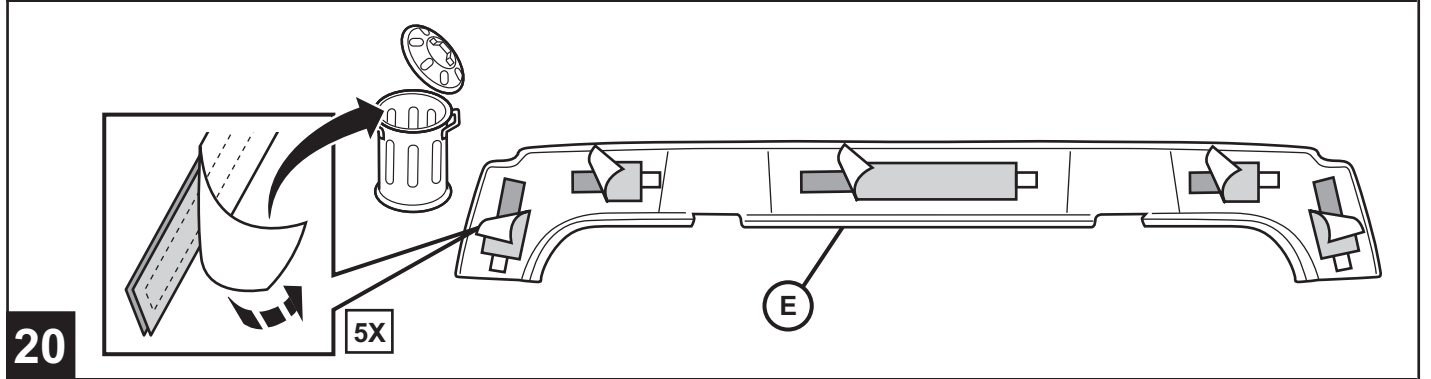
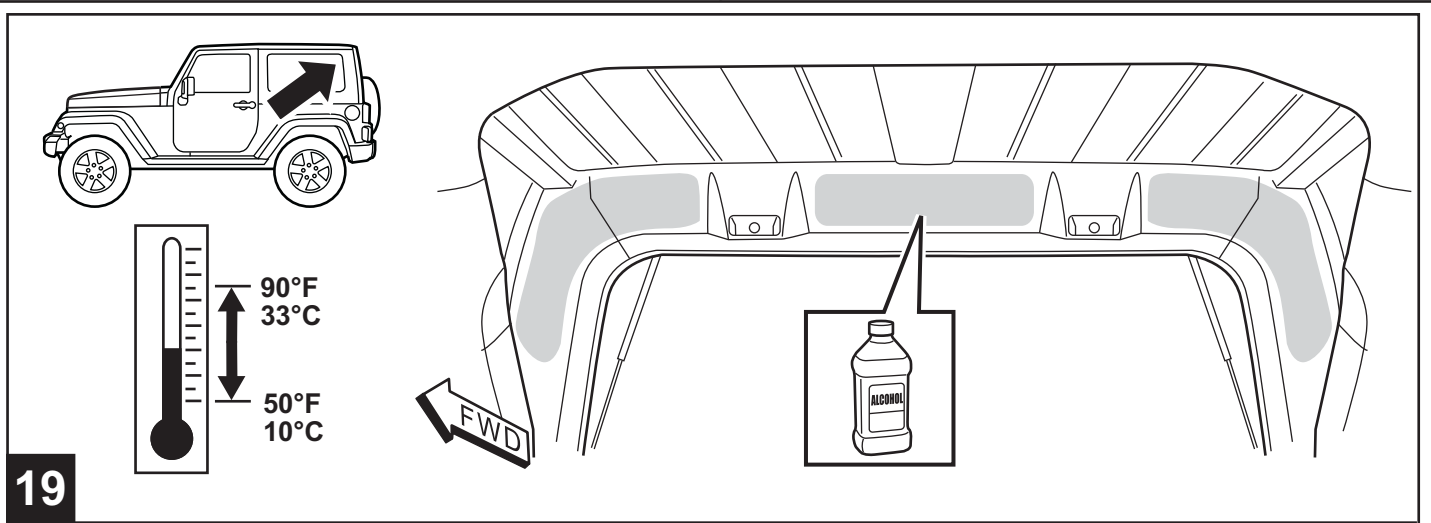
16

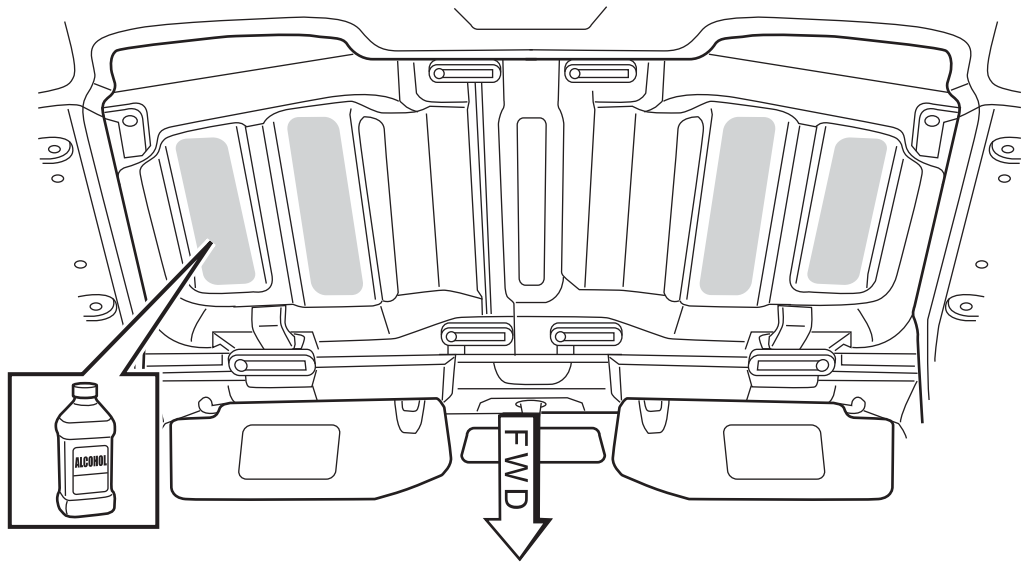
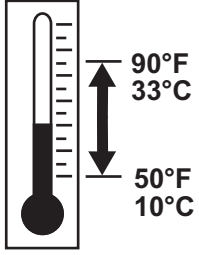
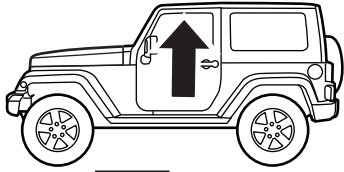


17

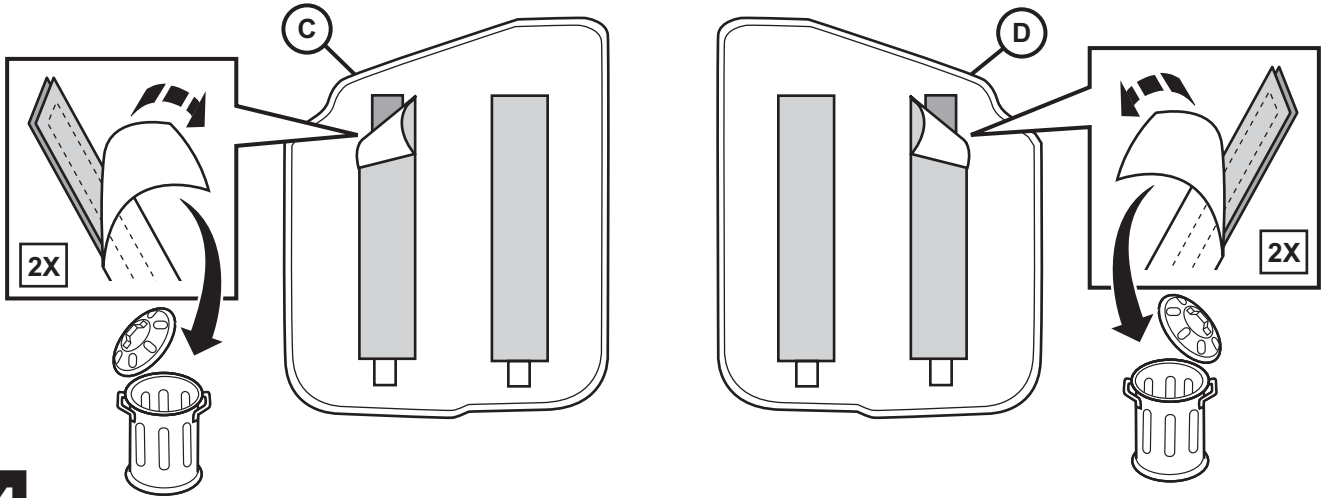


18

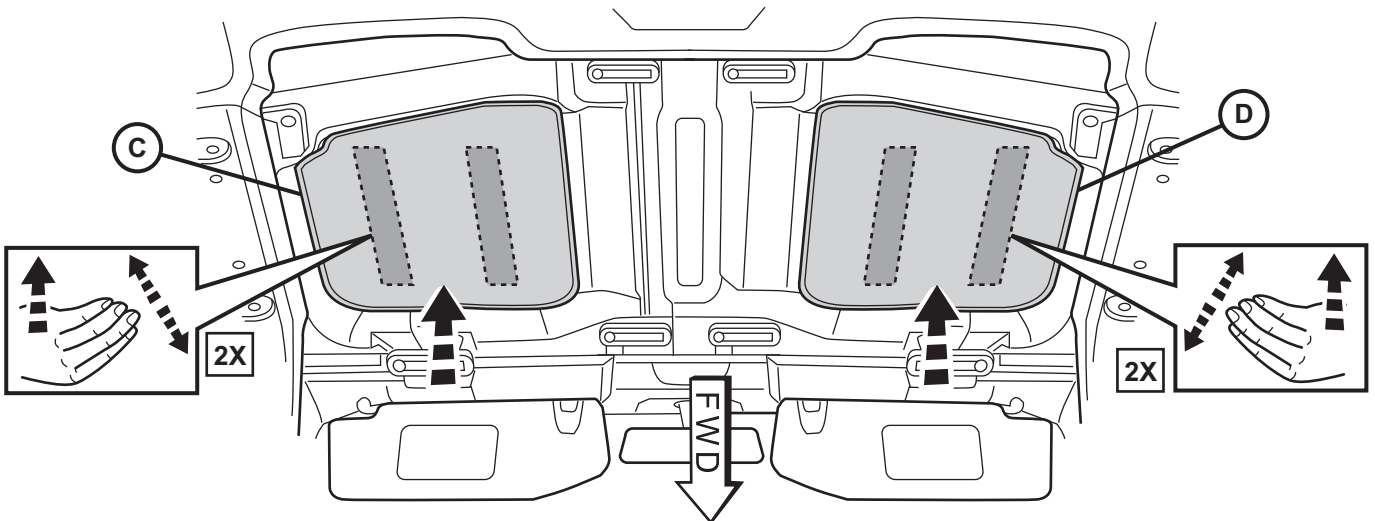




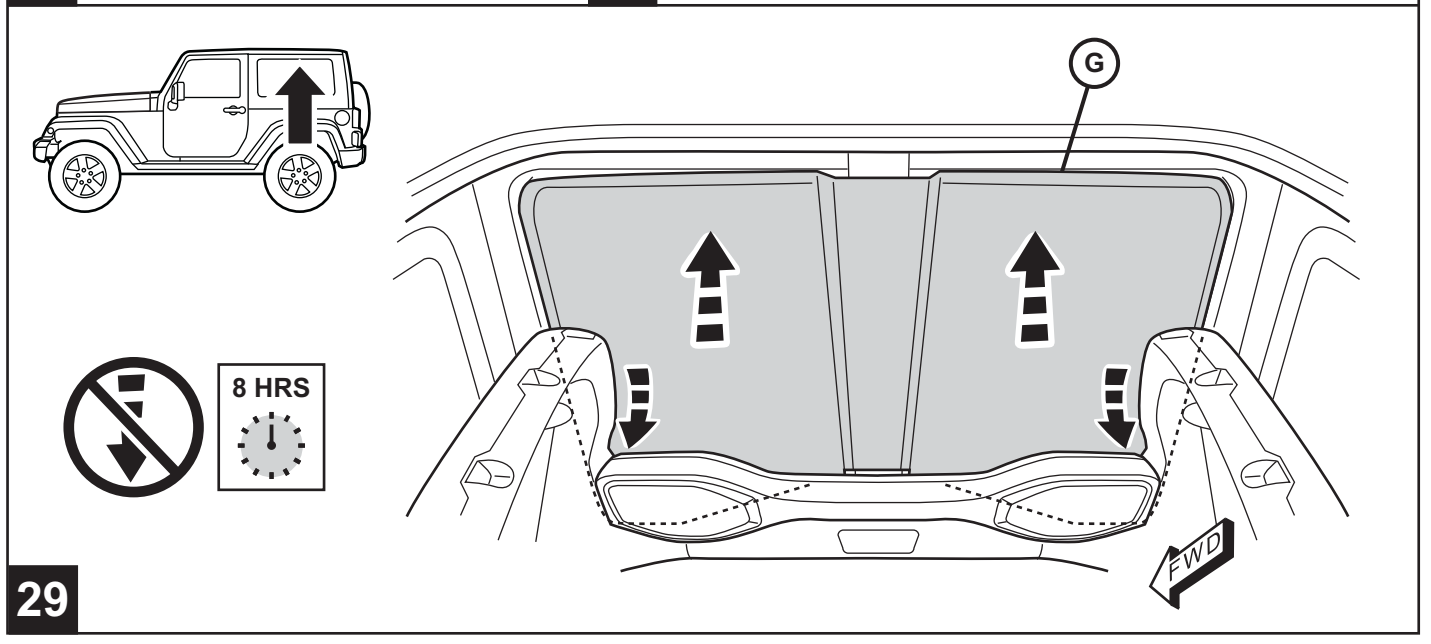
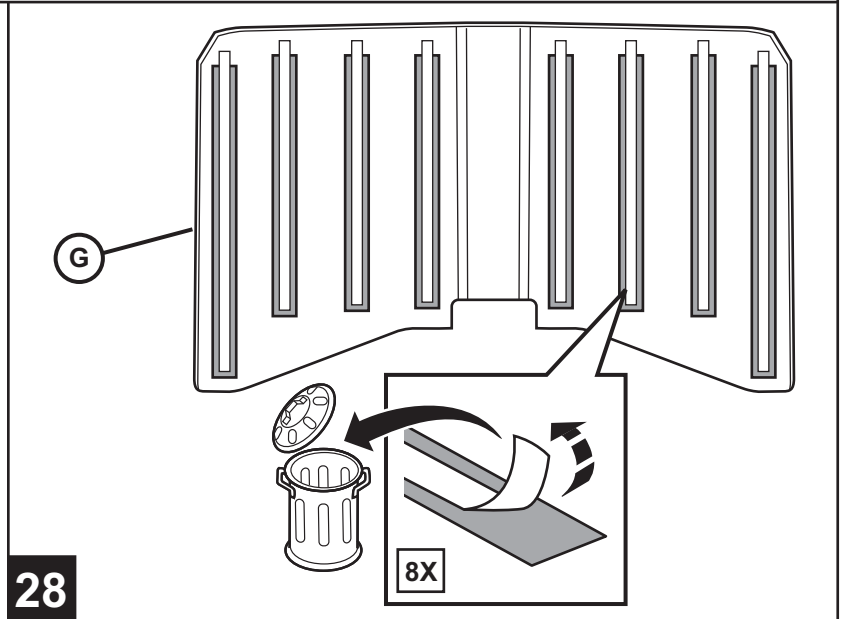
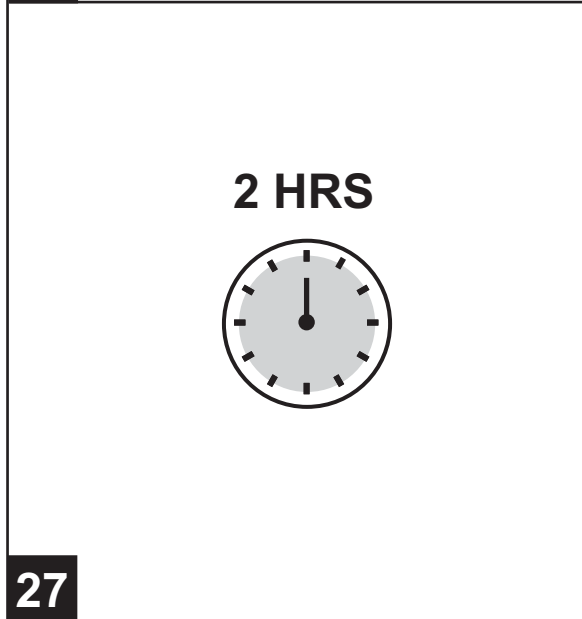
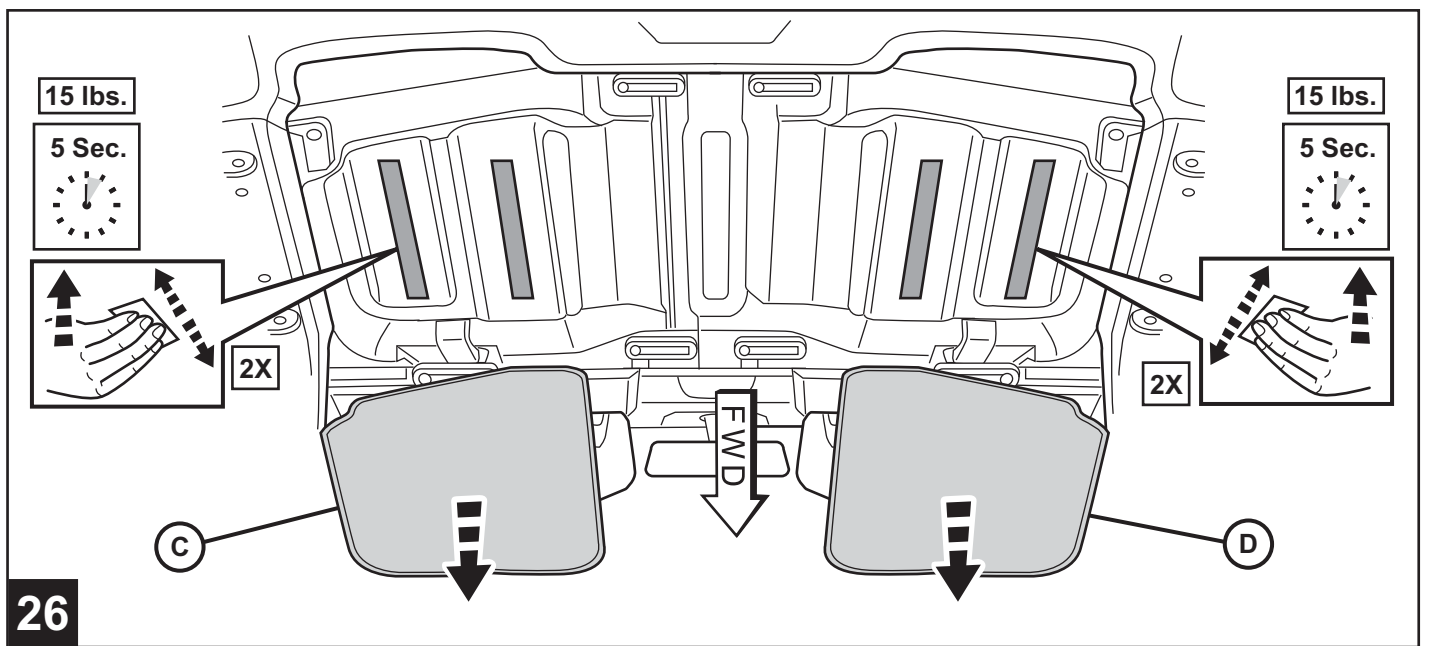
23

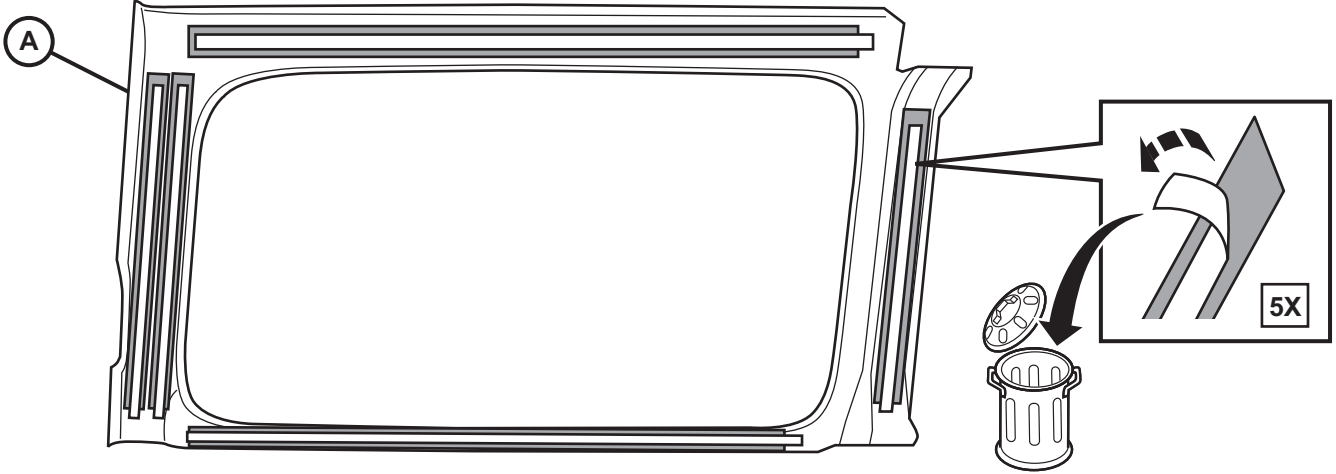


24

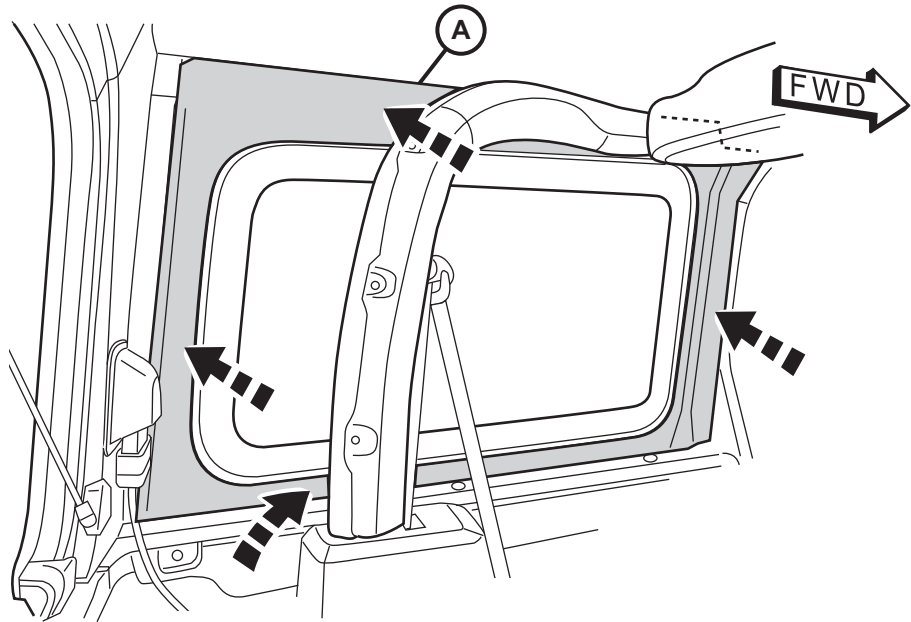
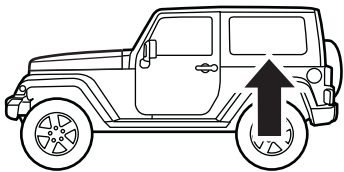


25

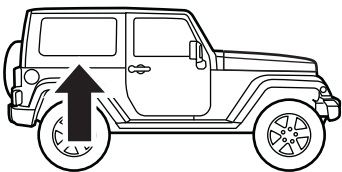




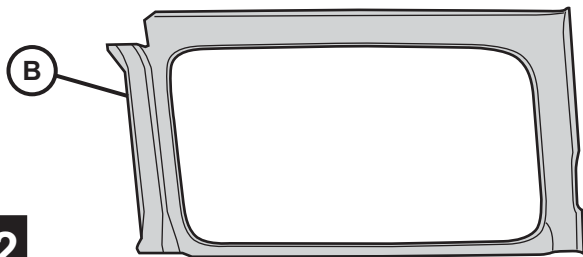
30



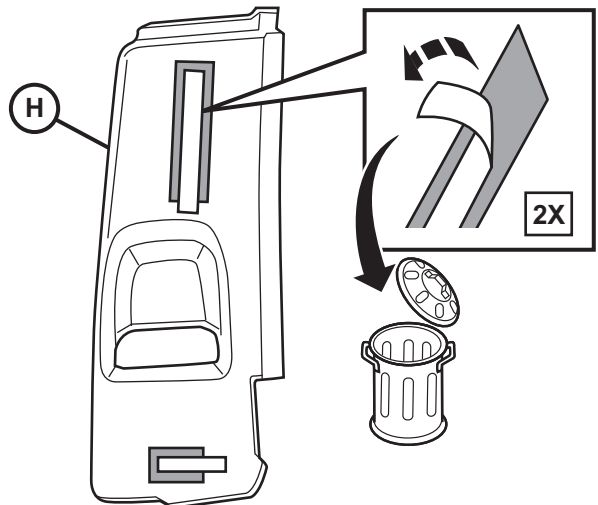
31



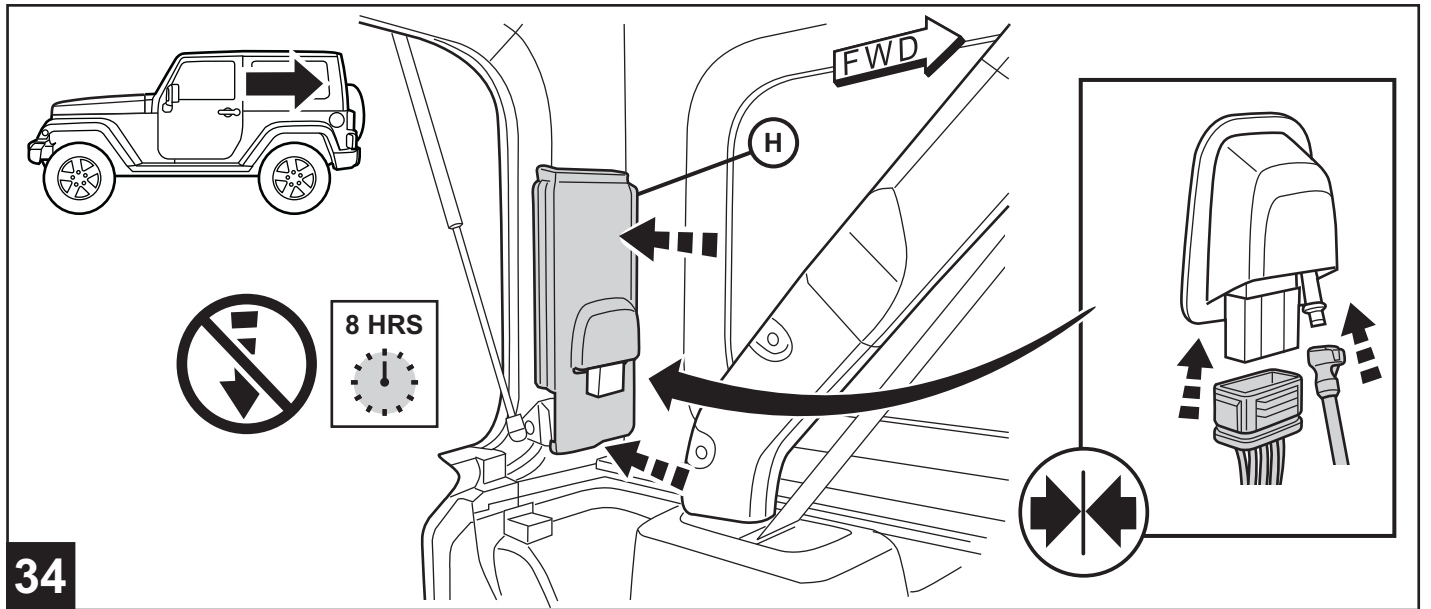
30 → 31



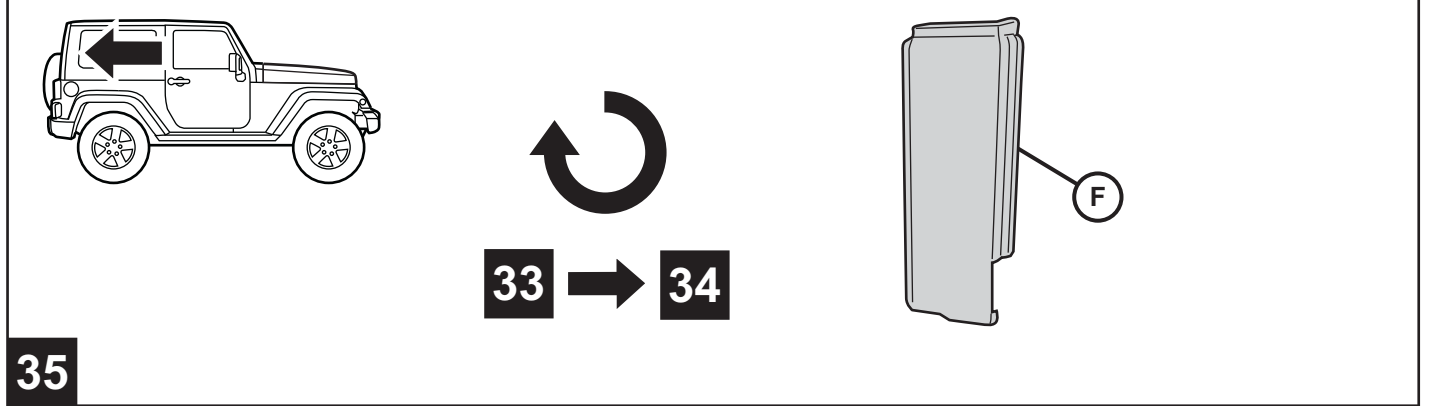
32



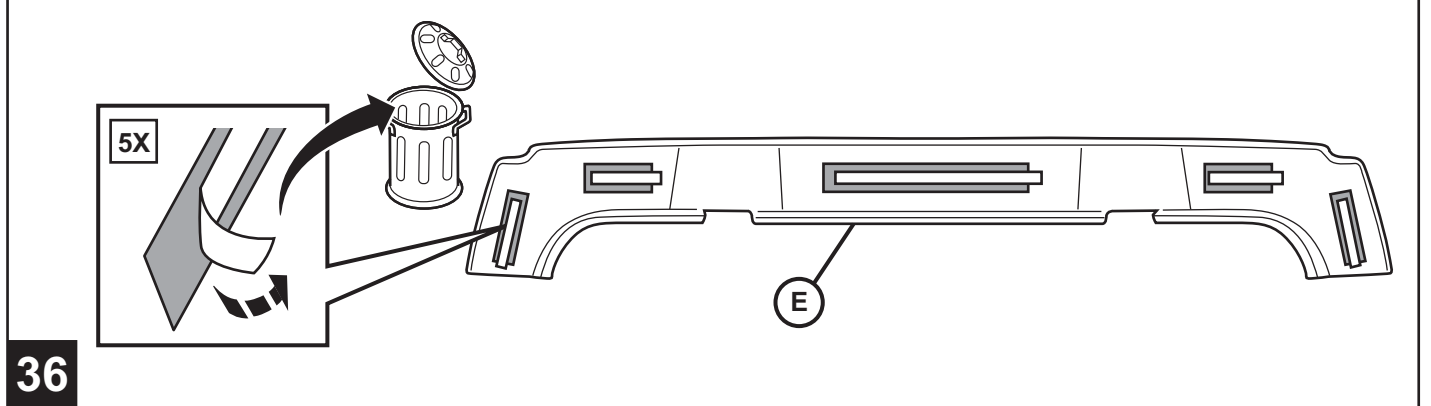
33



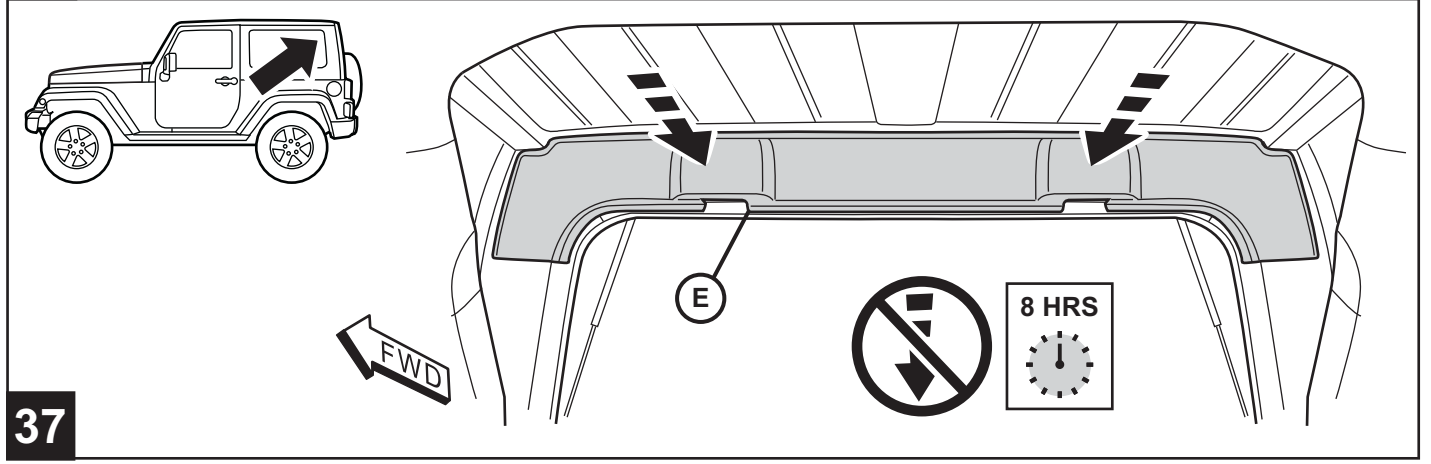
34



35



36



37

