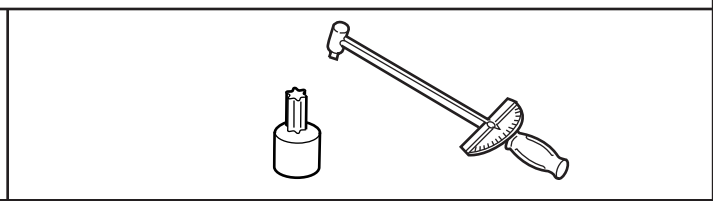
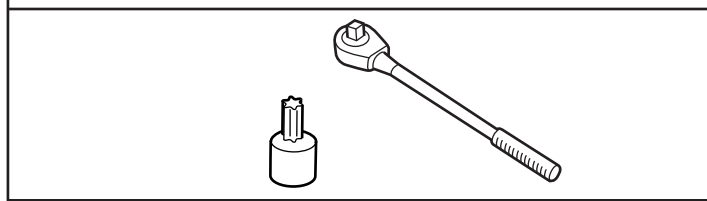
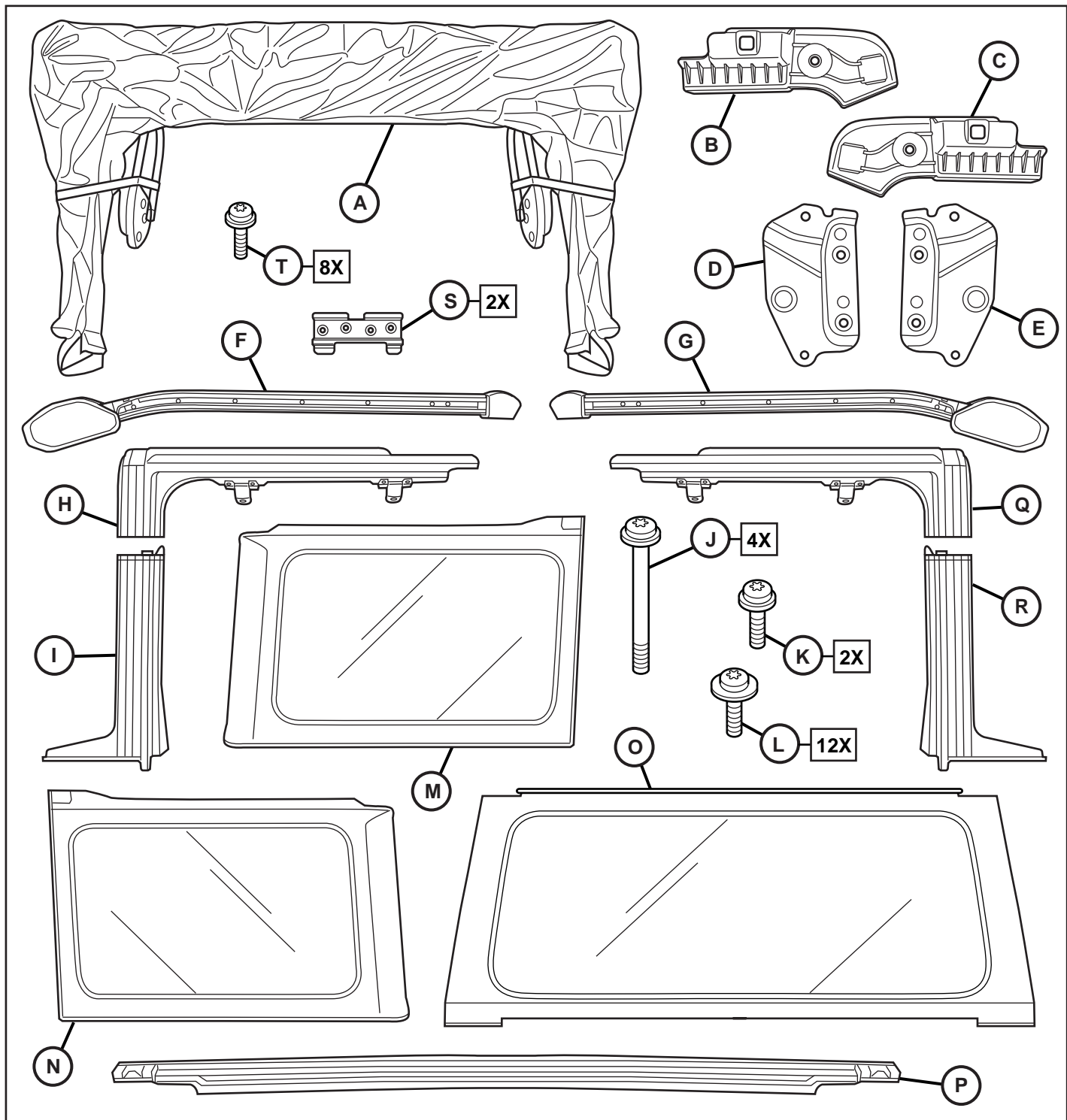
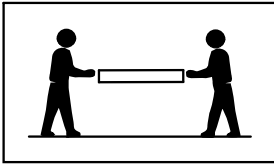




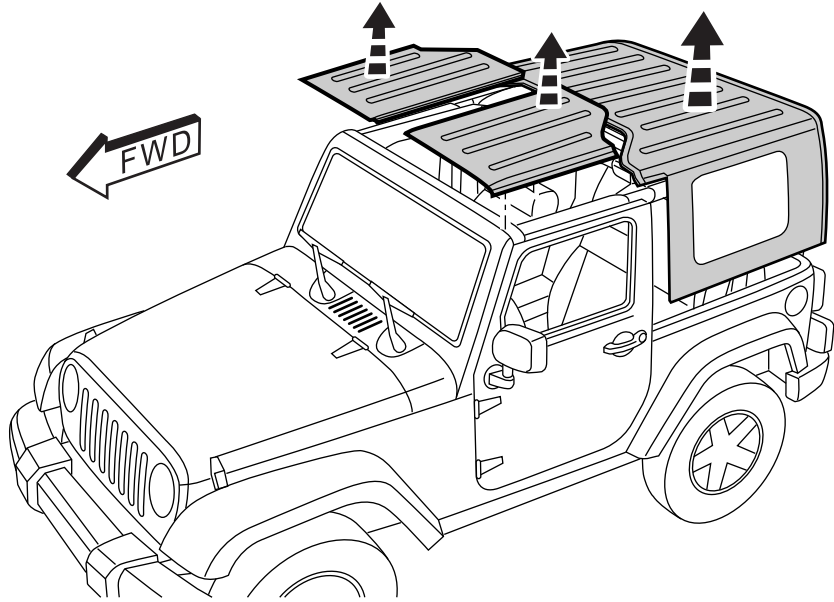
2-DOOR SOFT TOP JEEP WRANGLER

www.mopar.com

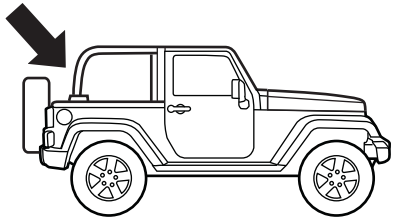




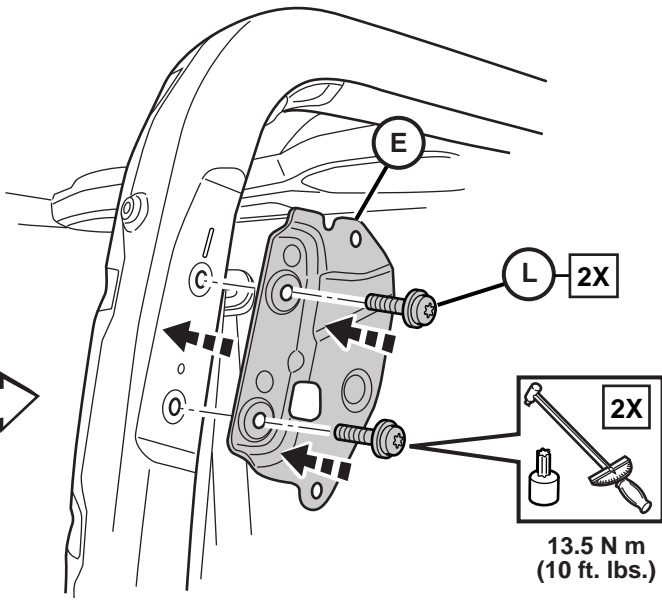
FWD



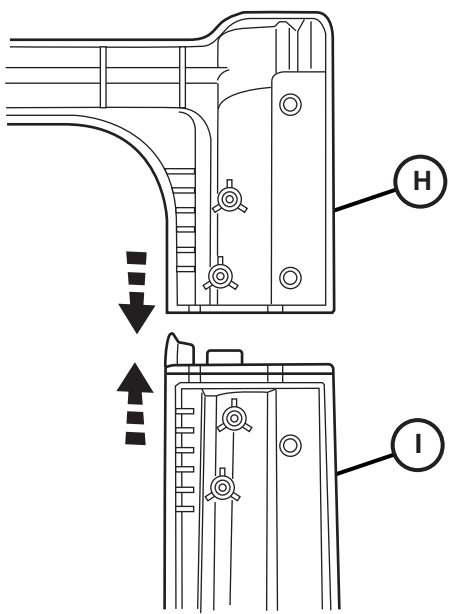
1



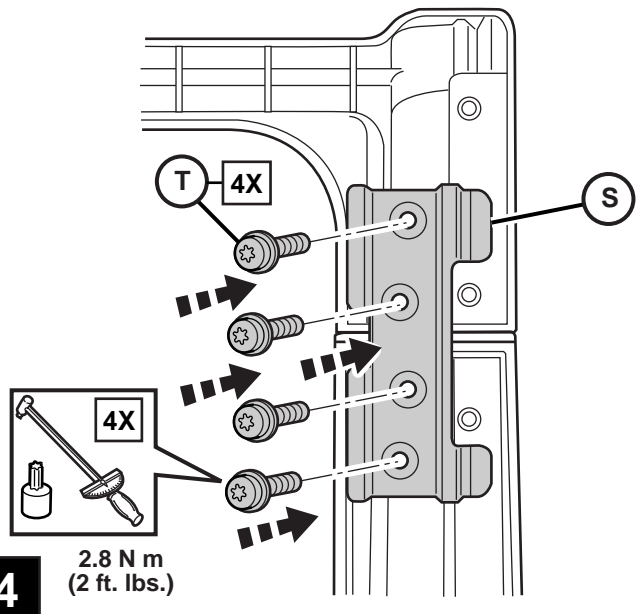
FWD



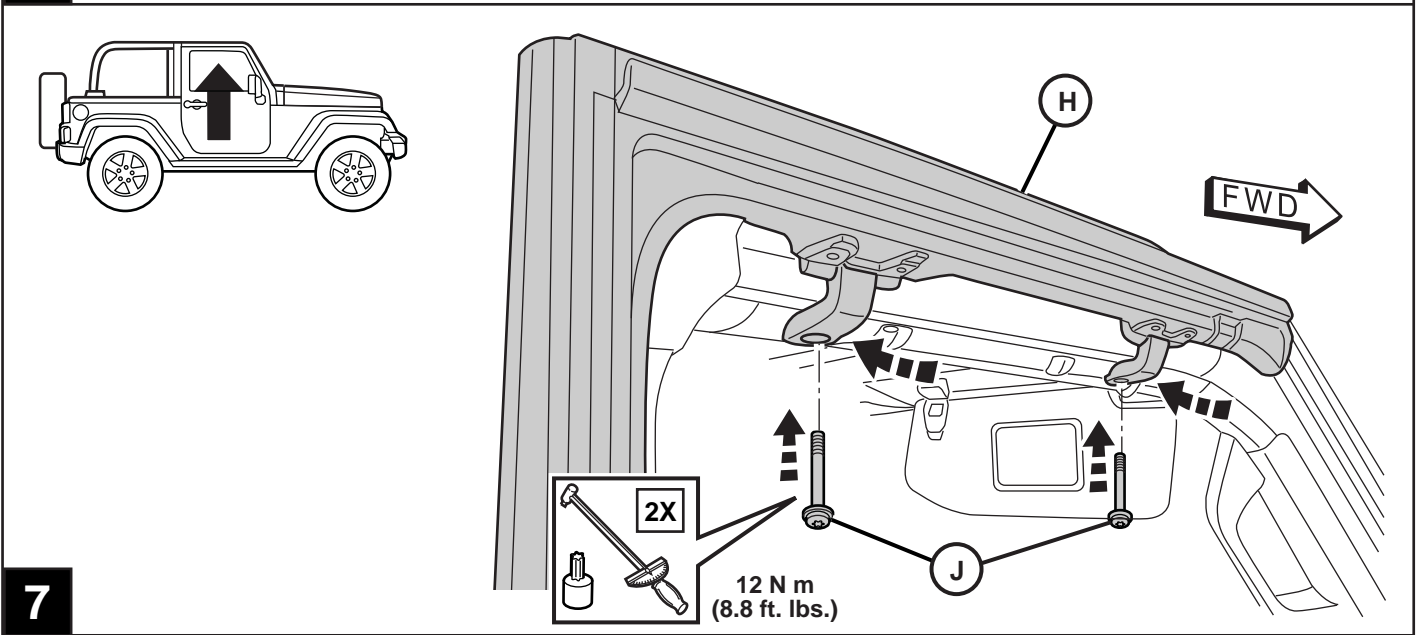
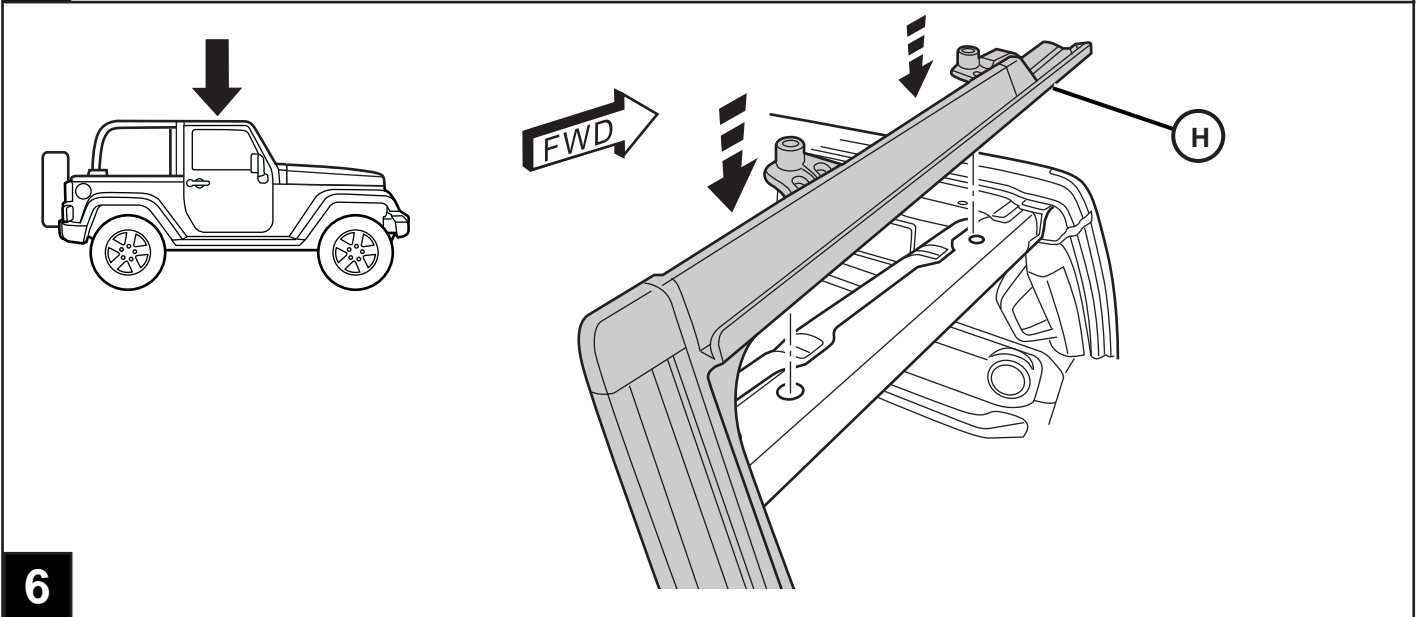
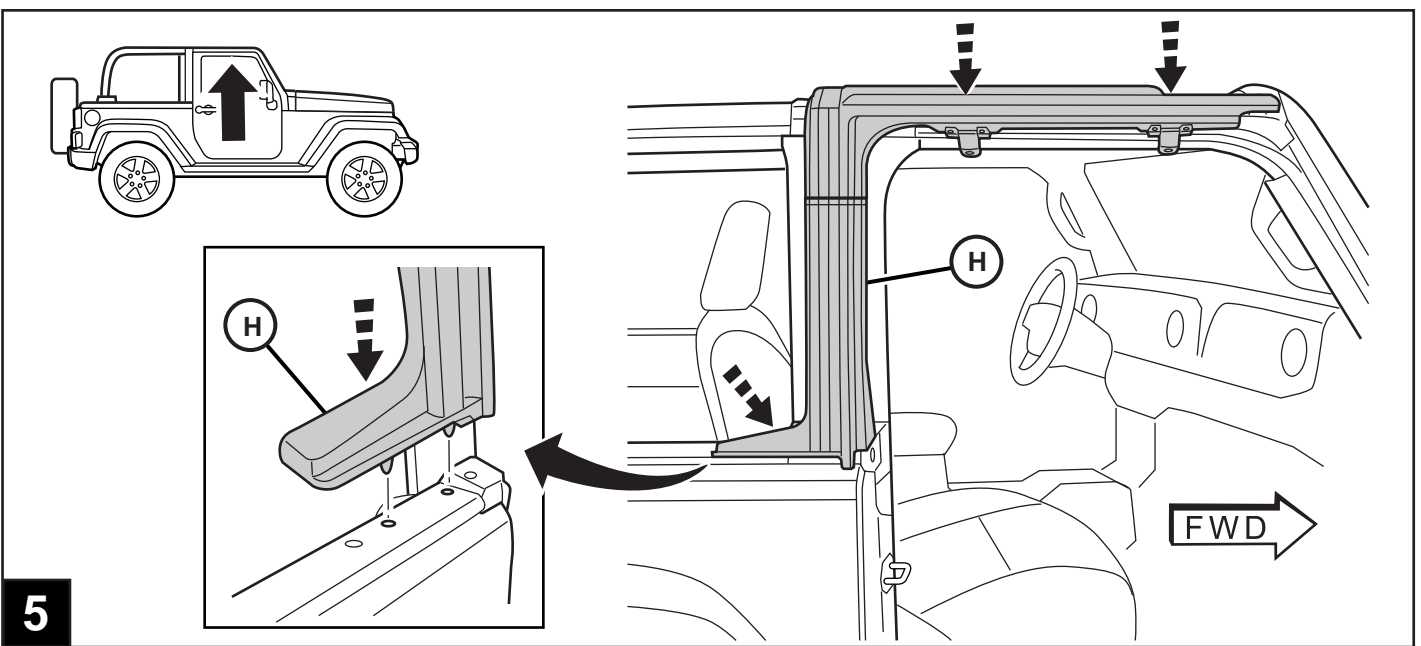
2

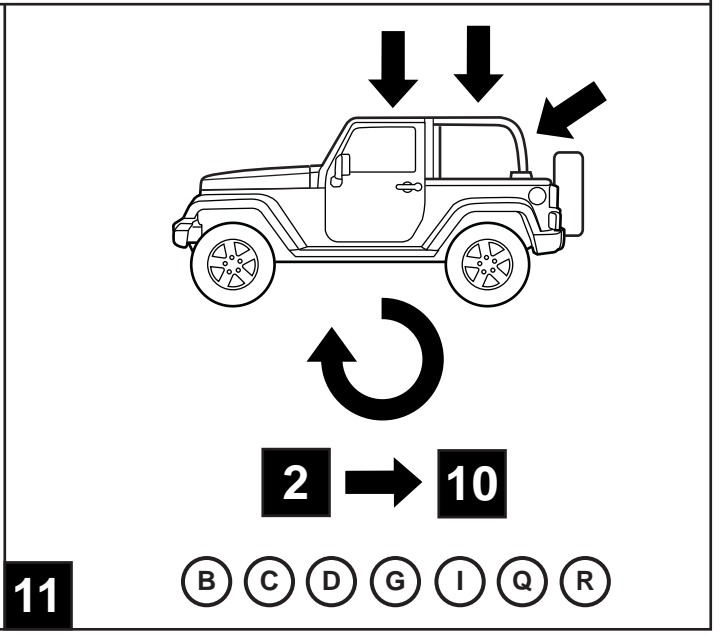
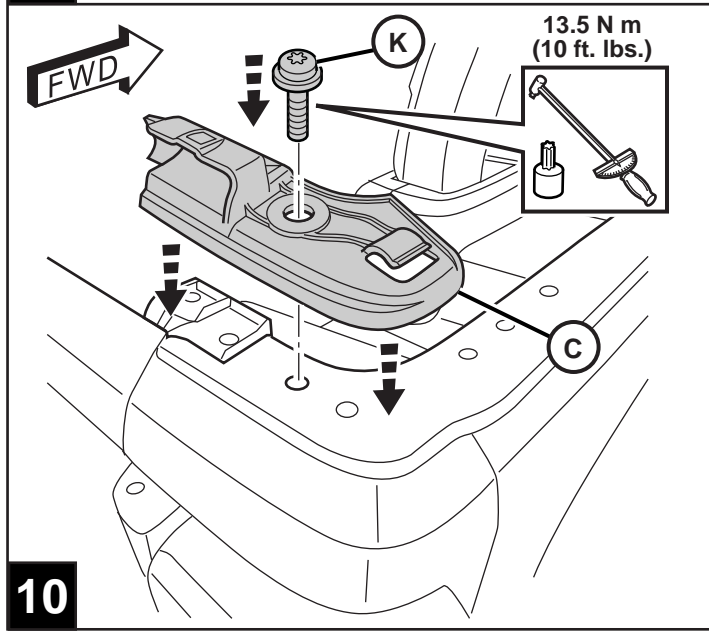
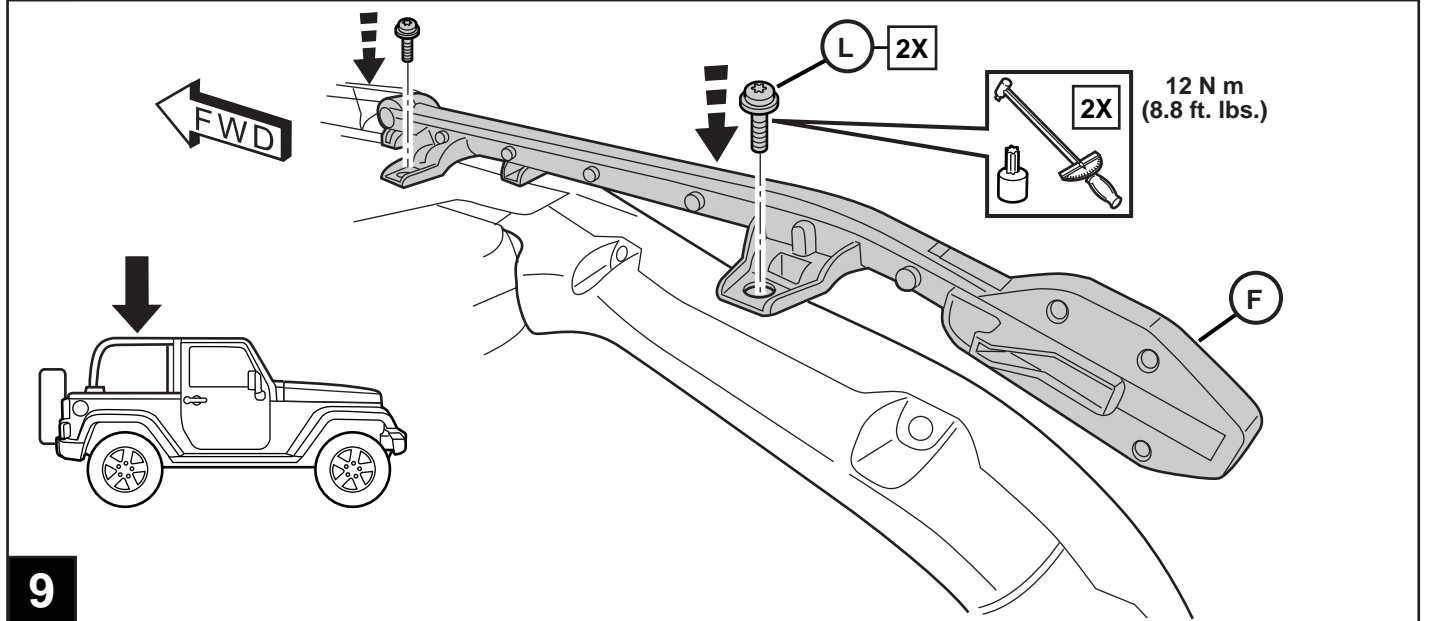
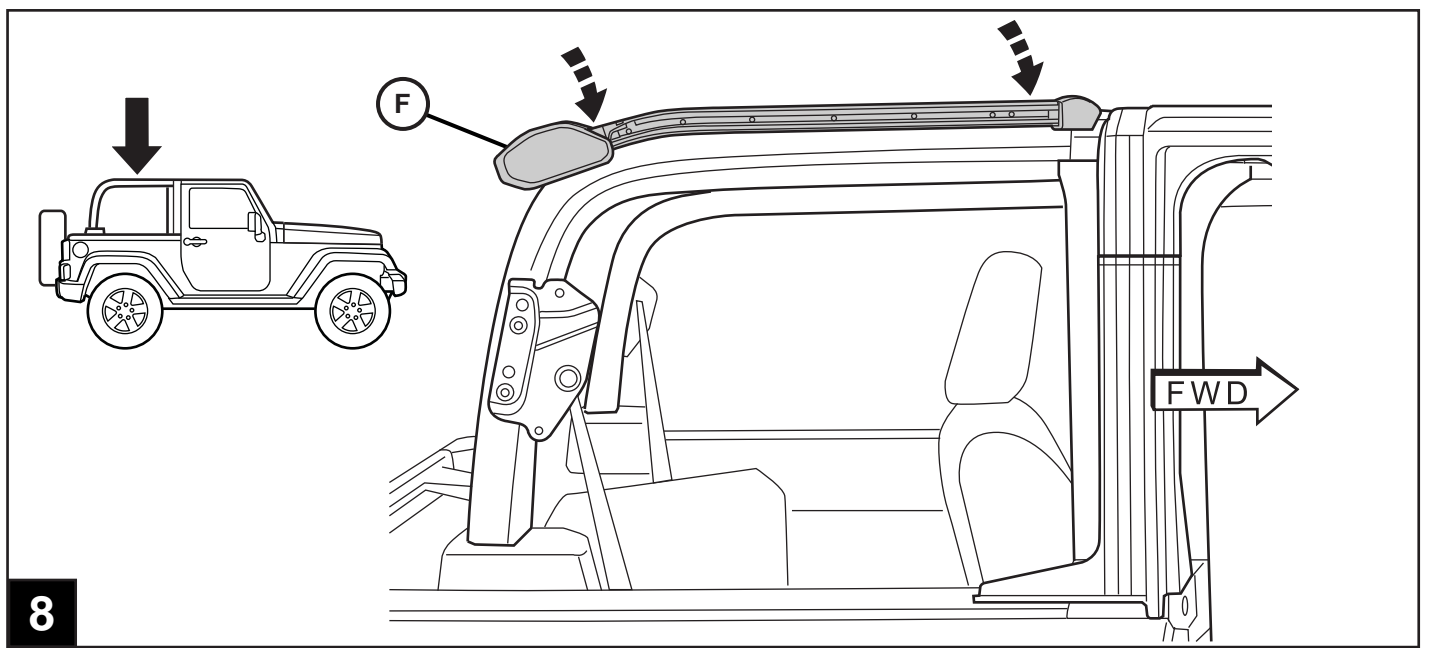


3

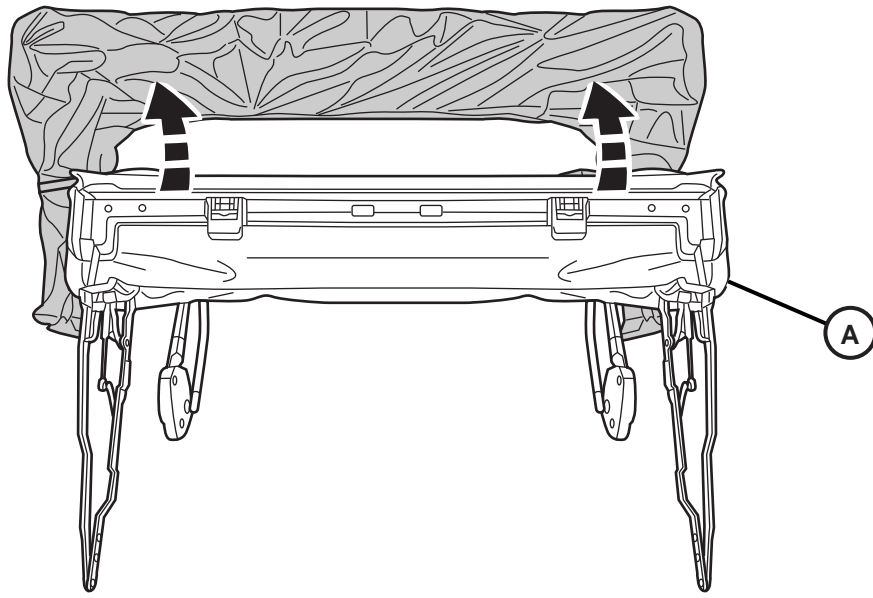


4

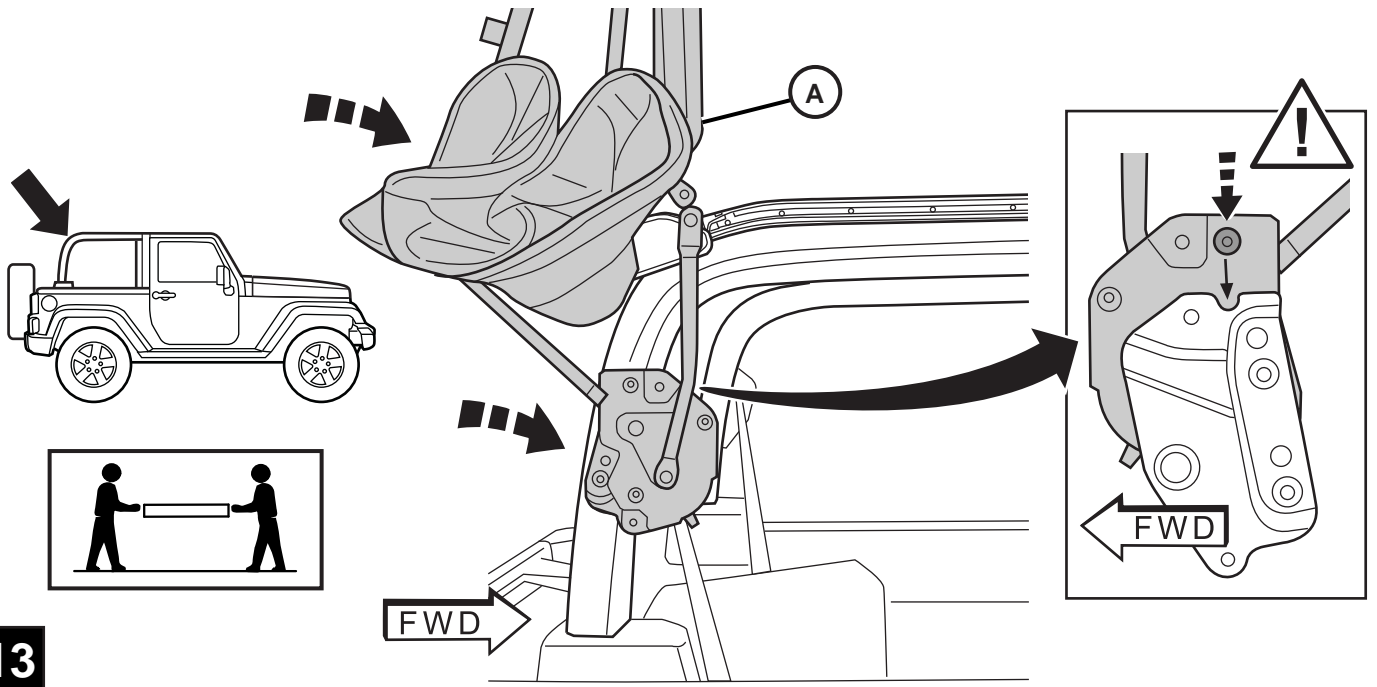




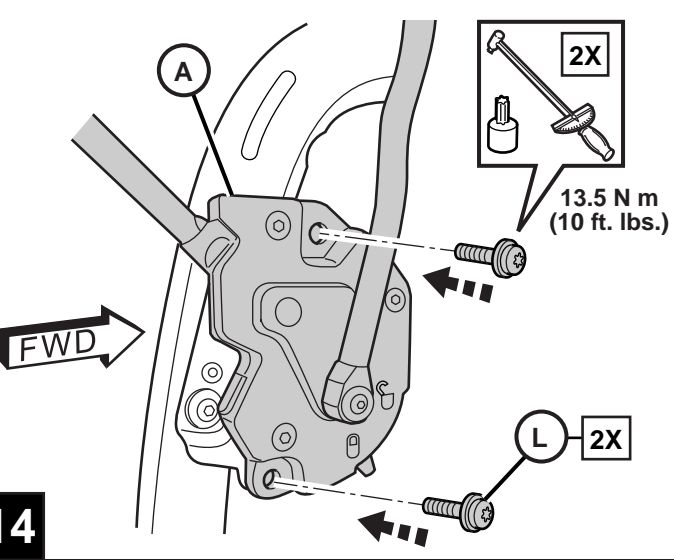
12



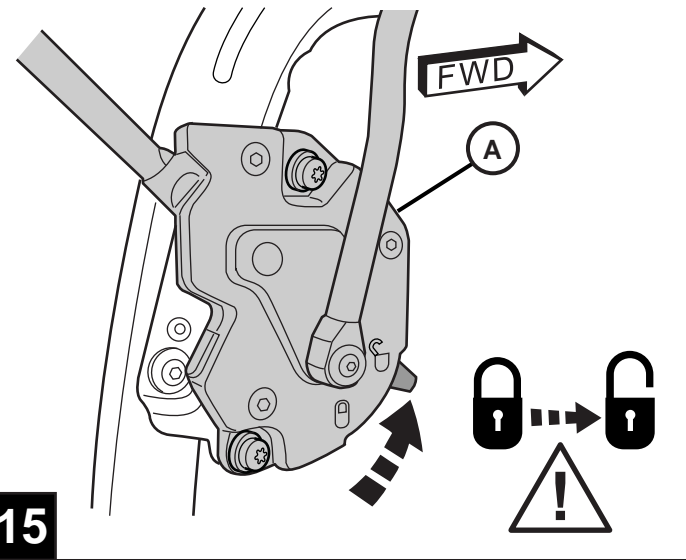
13

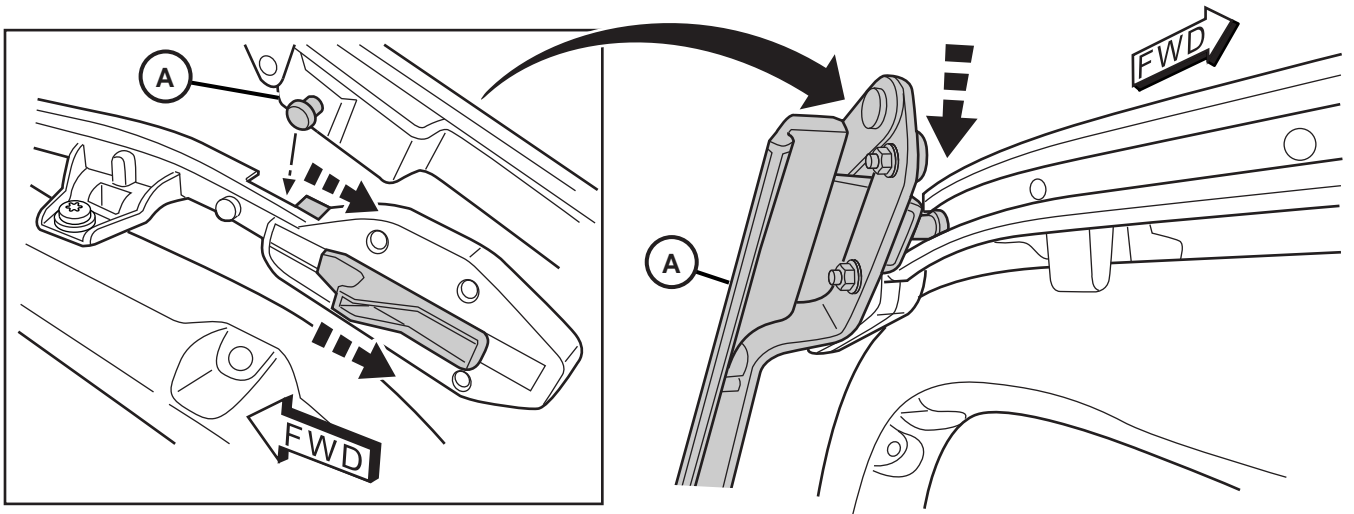


14

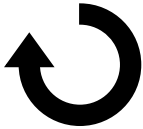
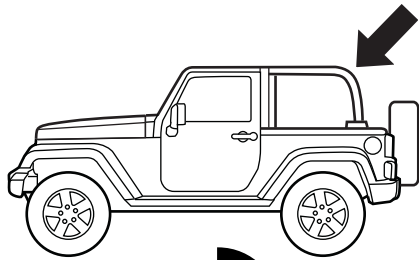


15



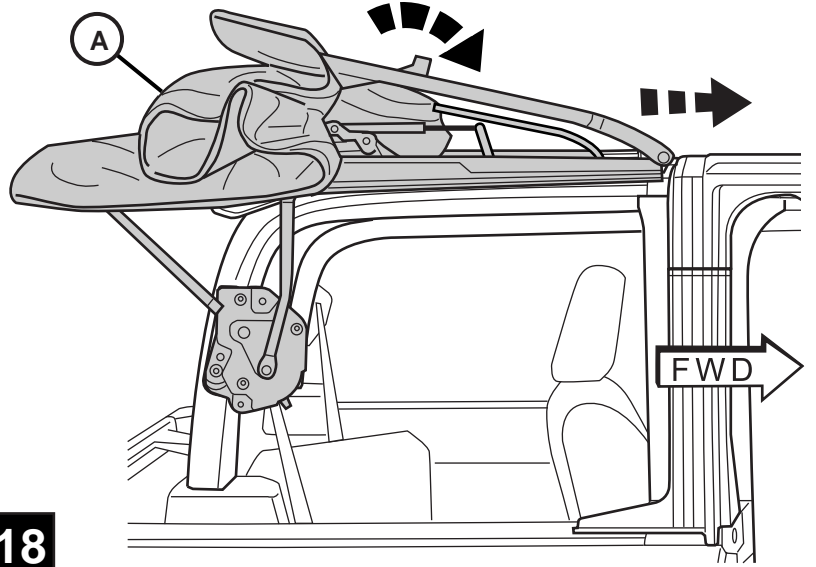


16

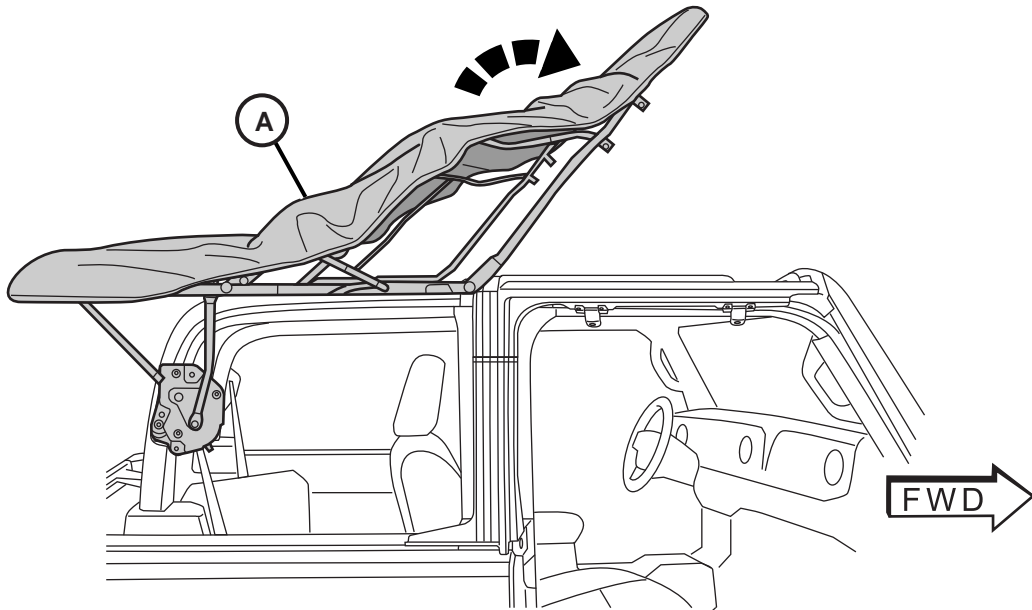


14 → 16

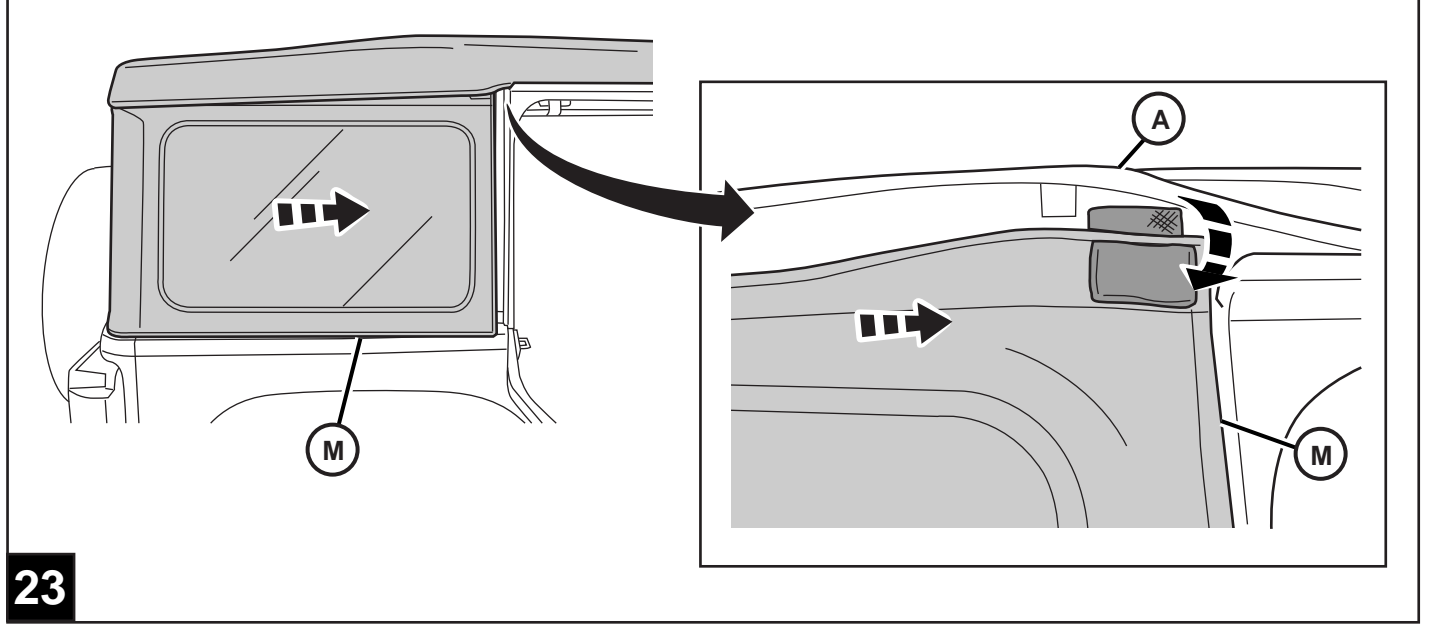
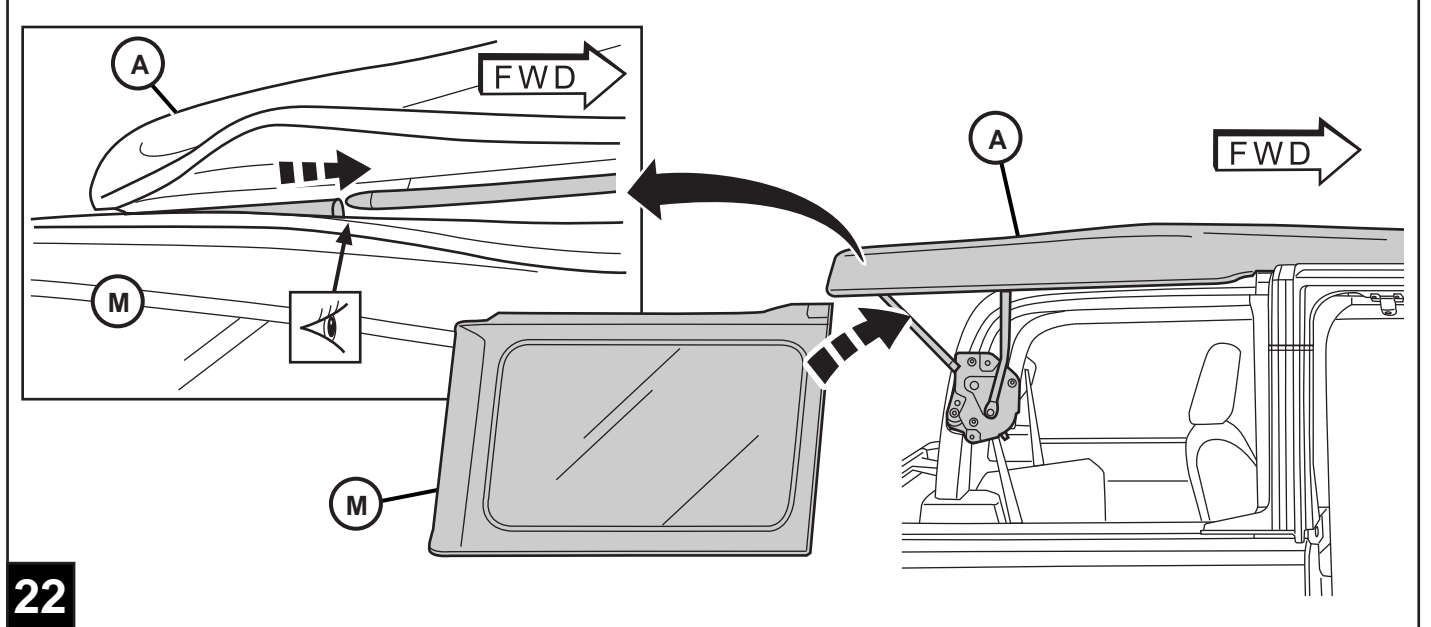
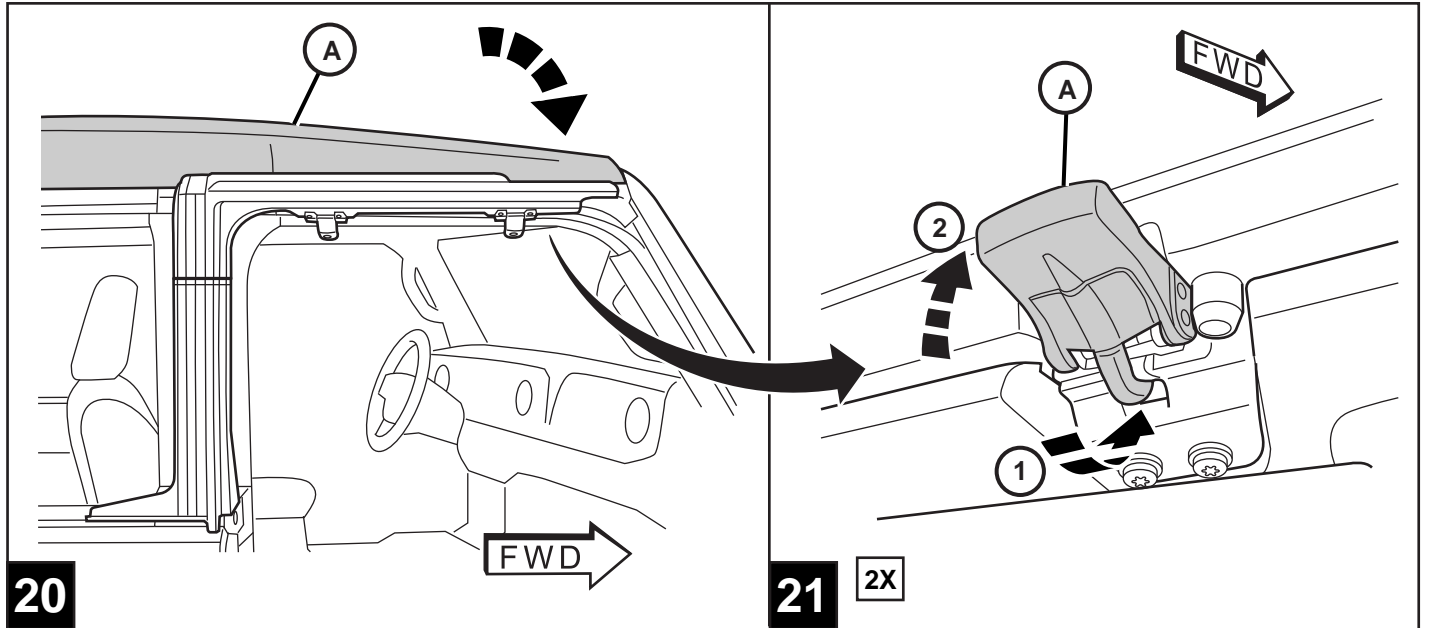
17



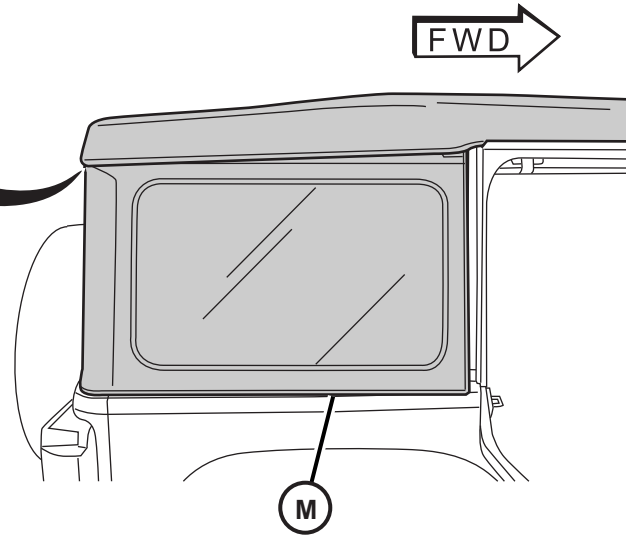
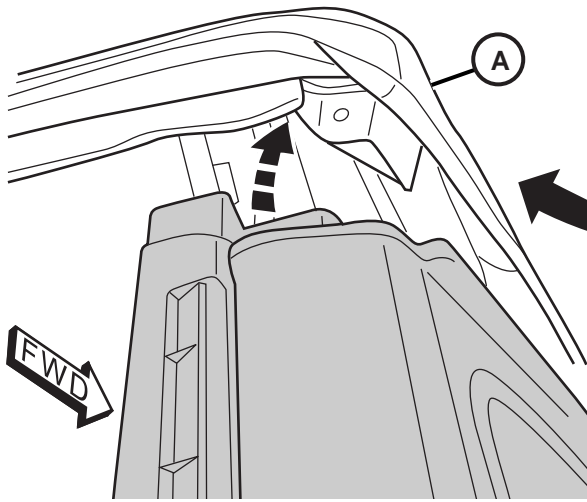
18



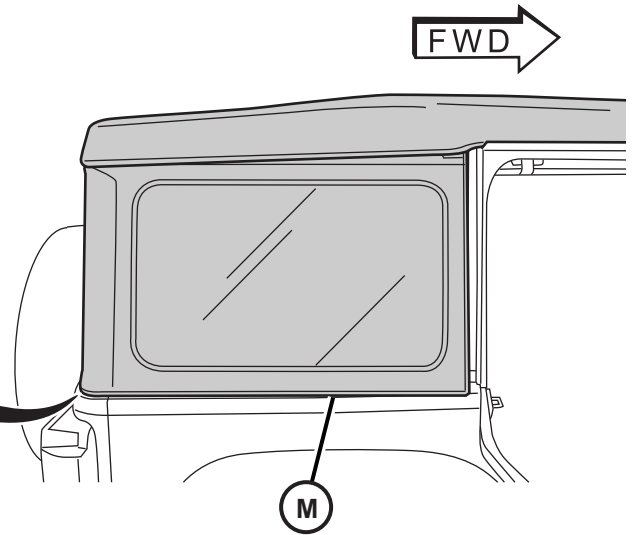
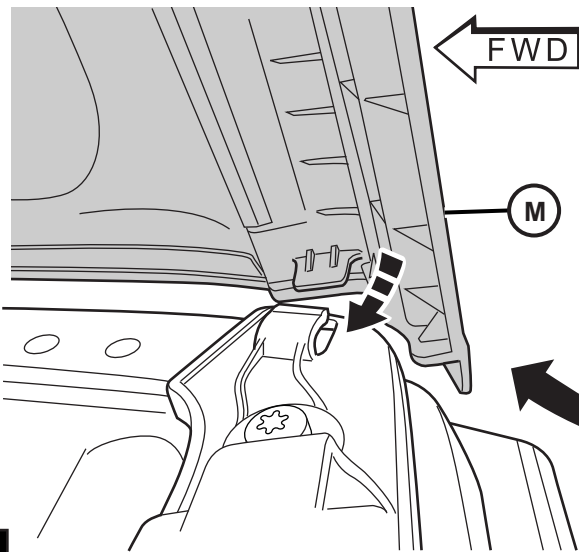
19



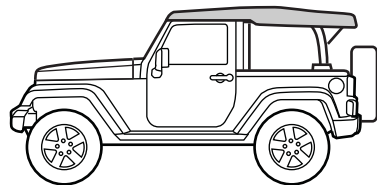
24



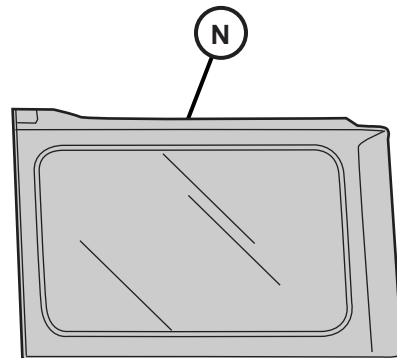
25

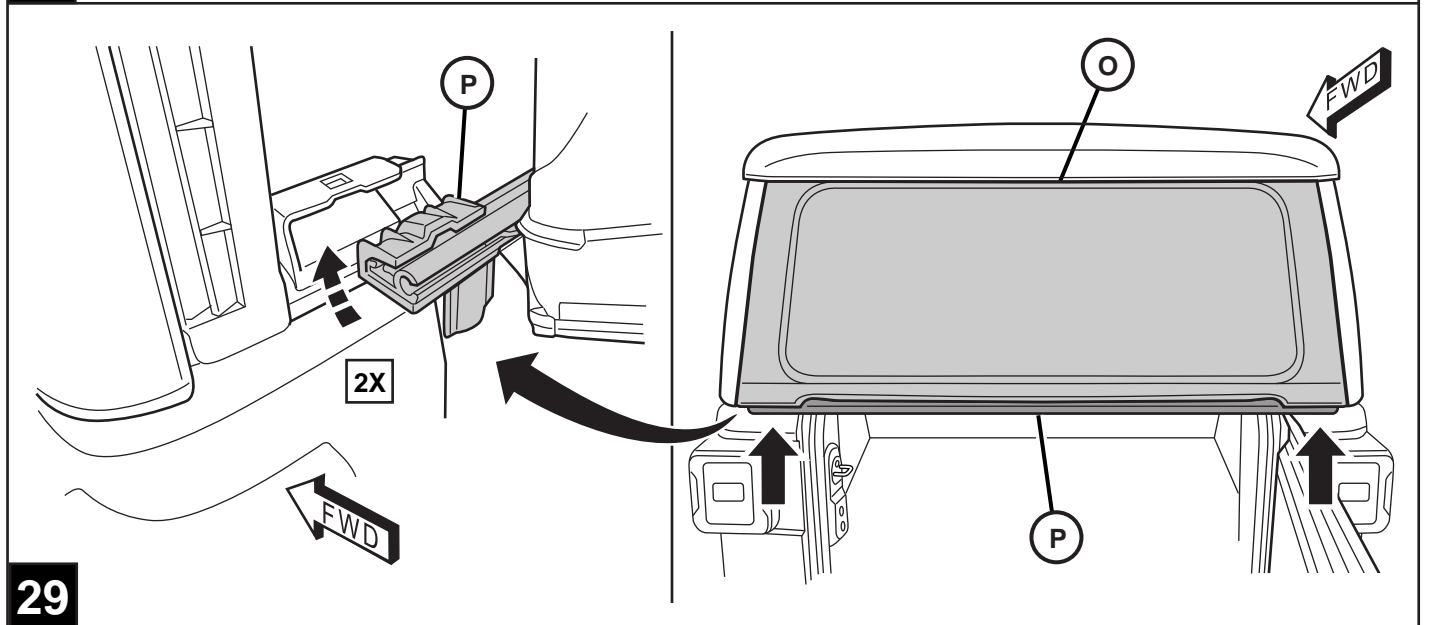
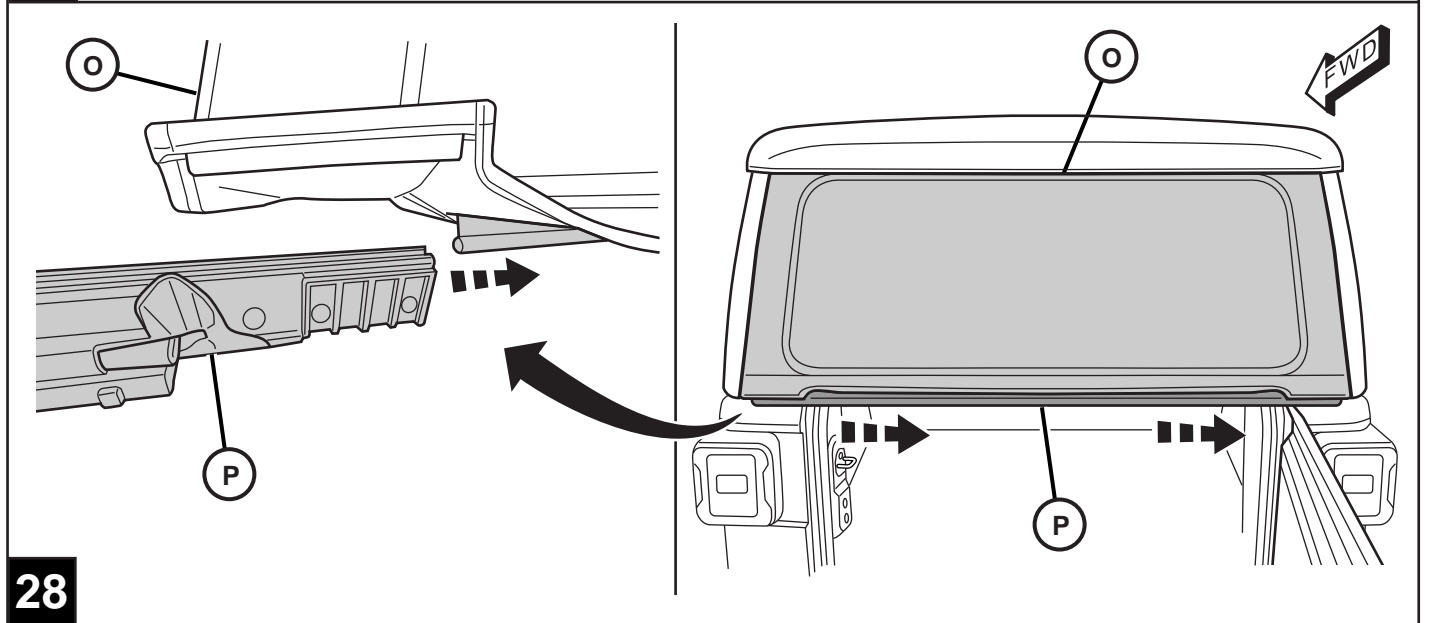
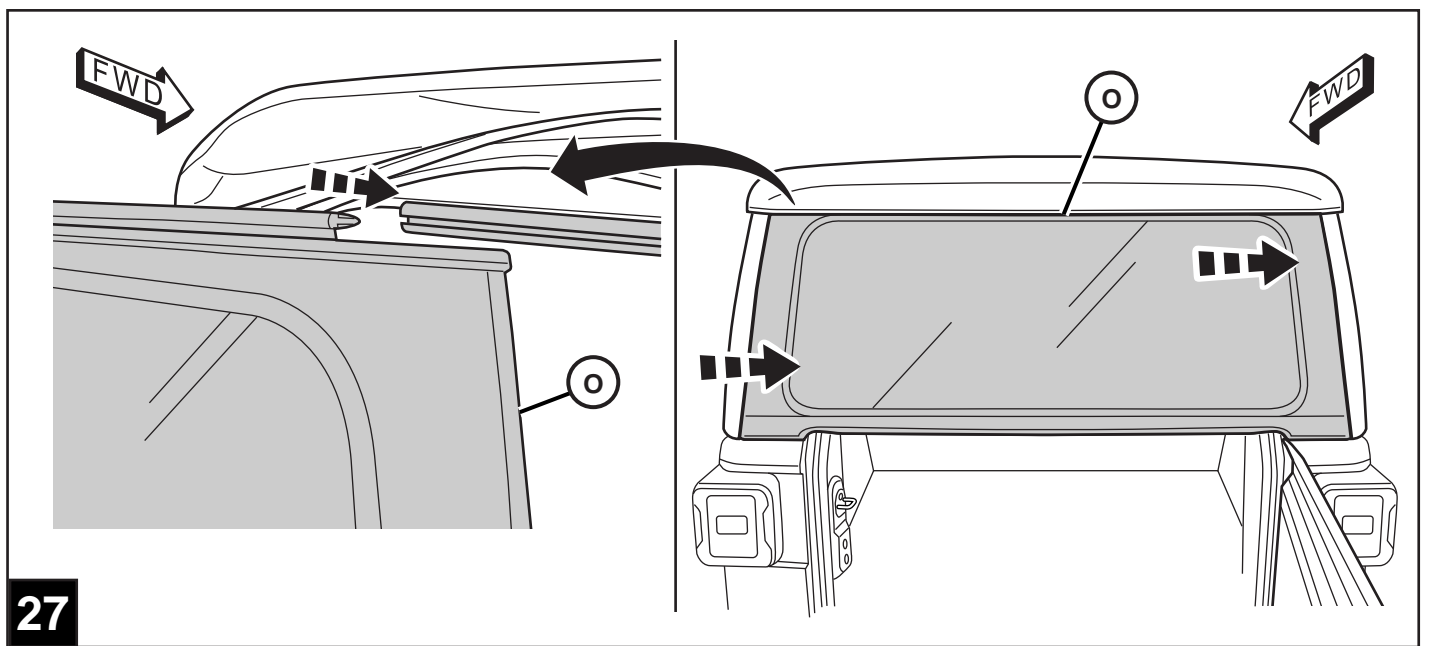


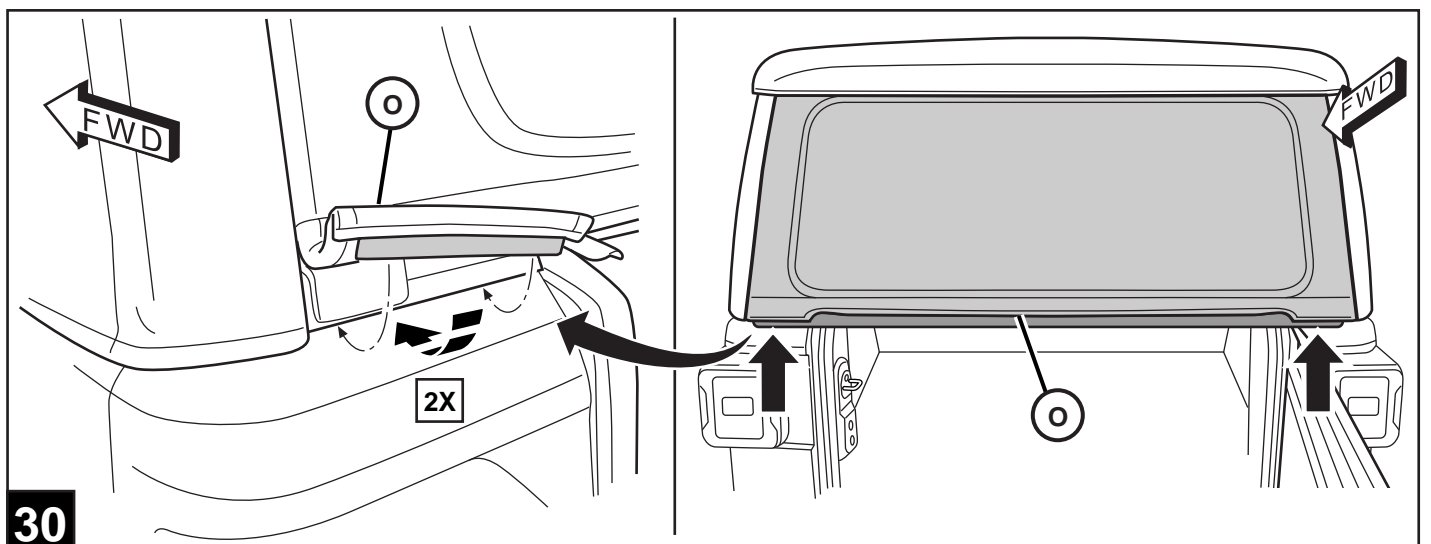
26



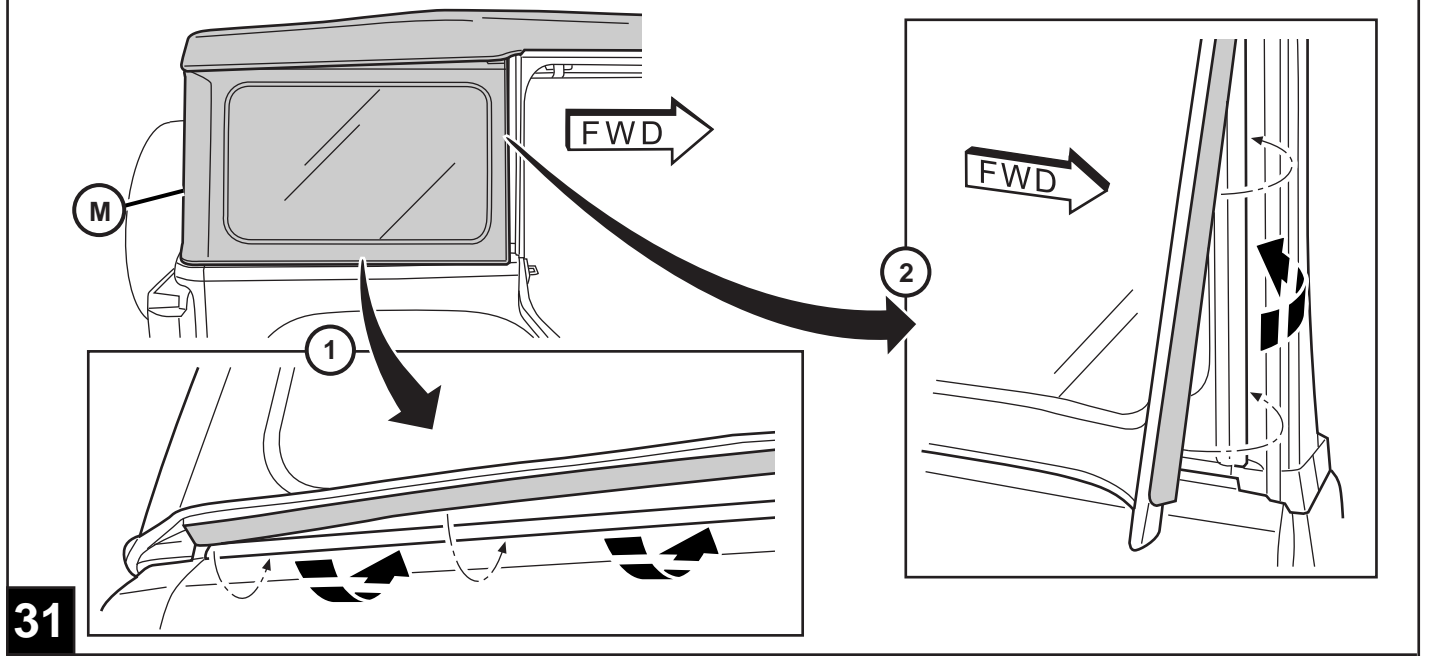
18 → 21



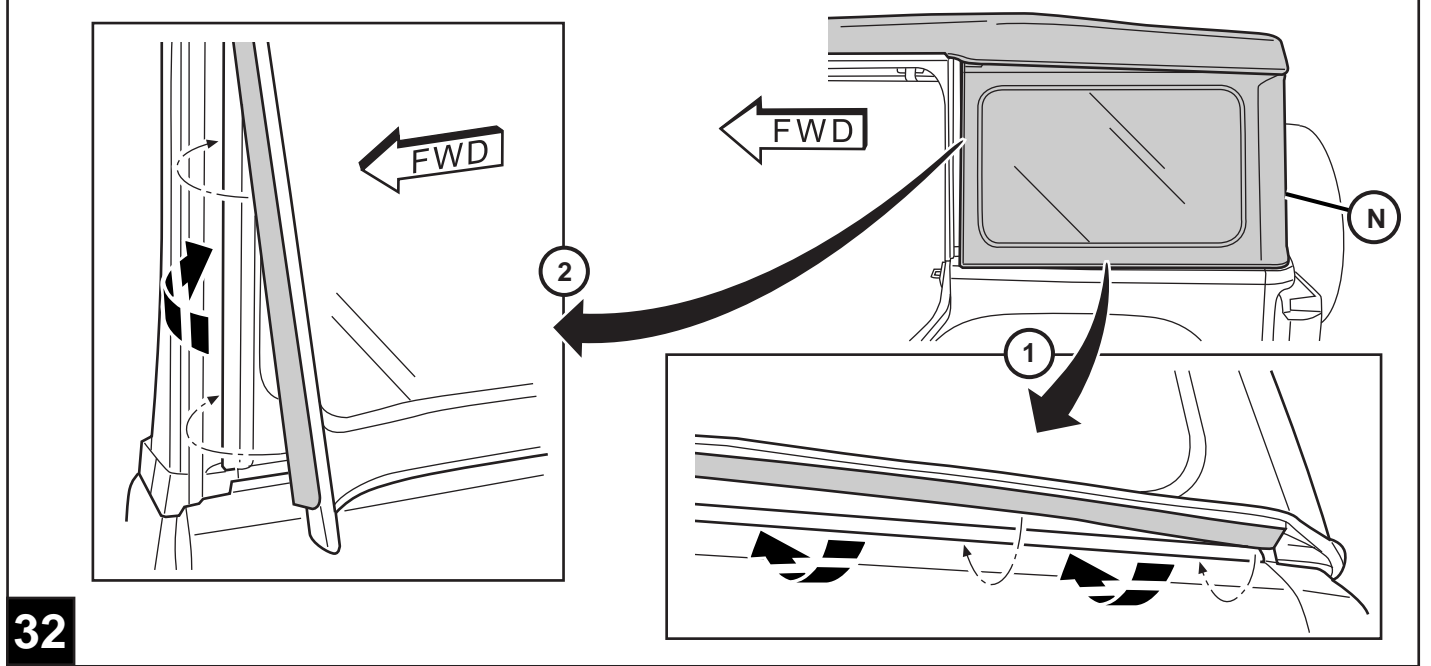




30



31



32