

INSTRUCTIONS

BFR65Z

Code: Z5238

Application:

**Mustang 2005- on Rear adjustable sway bar.
(Refer catalogue for exact listing)**

Specification:

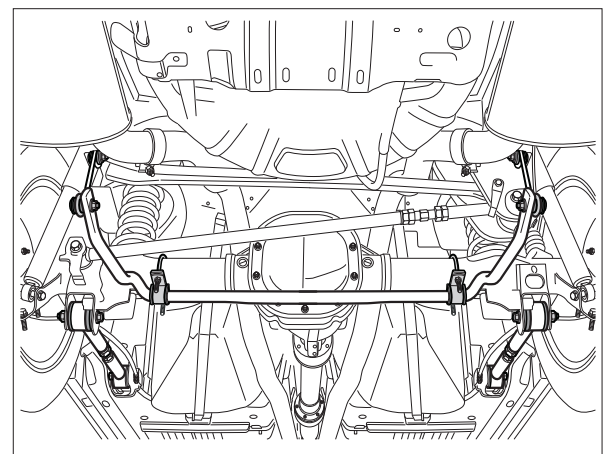
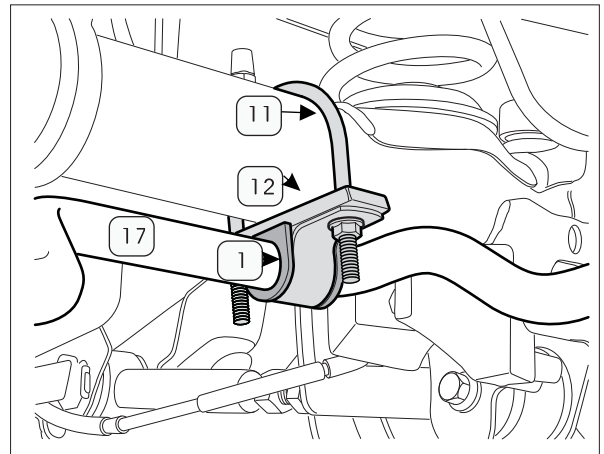
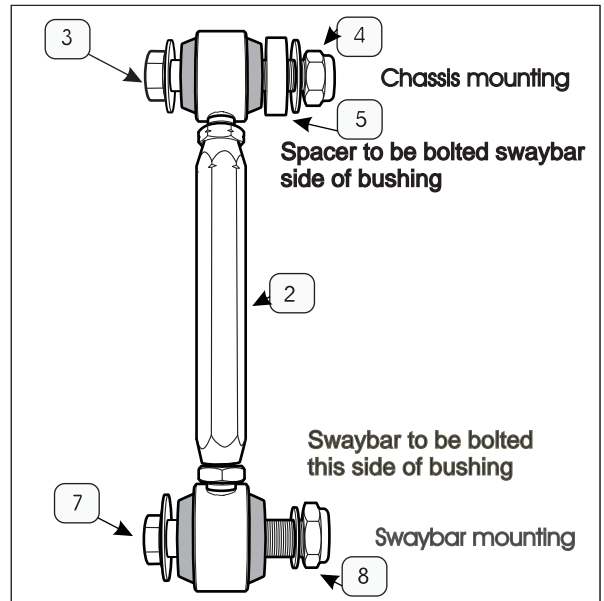
BFR65Z - 27mm blade-adjustable full kit sway bar.

Contents:

- | | | |
|-----|-----|-----------------------------------|
| 1. | 2 x | D-bush |
| 2. | 2 x | Sway Bar adjustable links |
| 3. | 2 x | M12x60 bolts |
| 4. | 2 x | M12 Nyloc nuts |
| 5. | 2x | 12mm I.D. - 8mm wide spacers |
| 6. | 2x | 30mm O.D. - 12mm I.D. Flat washer |
| 7. | 2 x | M10x60 bolts |
| 8. | 2 x | M10 Nyloc nuts. |
| 9. | 4x | 28mm O.D. - 12mm I.D. Flat washer |
| 10. | 2x | 32mm O.D. - 10mm I.D. Flat washer |
| 11. | 2x | 20mm OD. - 10mm I.D. Flat washer |
| 11. | 2 x | "U" bolts |
| 12. | 2 x | Axle plates |
| 13. | 1 x | grease bag |
| 14. | 2 x | D-bush mounting saddle |
| 15. | 4 x | 3/8 UNC flange nuts |
| 16. | 1 x | Fitting instructions |
| 17. | 1 x | Blade adjustable sway bar |

Fitting:

1. Raise Vehicle and support with chassis stands.
2. Remove OE sway bar and mounts as per workshop manual, remove standard sway bar mount captive bolts and sway bar link nuts from mounting points.
3. Fit sway bar links(2) to standard mounting position on chassis, use M12 bolts(3), 8mm spacers(5) and M12 nyloc nuts(4). Place flat washer(6) under M12 nyloc nut.
4. Further fitting must be done with the vehicle at normal ride height - drive on ramps can be used.
5. Grease ID of D-bushes (1) with grease (13) and fit onto the sway bar.
6. Fit the "U" bolts (11) over the axle housing and fit 10mm plates (12).
7. Mount the sway bar (18) onto sway bar mounts, using D-bush brackets (14) and 3/8 flange nuts (15). (Note: bushes are to be pushed against outer bends to laterally locate sway bar).
8. Mount links into hole in sway bar using M10 bolts(7), large flat washer(10), smaller washers(9) and M10 nyloc nuts(8).
9. Refer instruction Z5146 for link adjustment.
10. Tighten all mounting hardware.
11. Re check hardware after initial 100kms



Warning: Please drive carefully while you accustom yourself to the changed vehicle behaviour.