

**ASSEMBLY INSTRUCTIONS**  
FOR  
**MUSTANG II STYLE FRONT END\***

\*For additional vehicle compatibility, visit [www.wilwood.com](http://www.wilwood.com)

**WILWOOD FRONT 2.00" DROP PROSPINDLE KIT**

BASE PART NUMBER

**830-17728**

**DISC BRAKES SHOULD ONLY BE INSTALLED BY SOMEONE  
EXPERIENCED AND COMPETENT IN THE INSTALLATION AND  
MAINTENANCE OF DISC BRAKES  
READ ALL WARNINGS**

**WARNING**

IT IS THE RESPONSIBILITY OF THE PERSON INSTALLING ANY BRAKE COMPONENT OR KIT TO DETERMINE THE SUITABILITY OF THE COMPONENT OR KIT FOR THAT PARTICULAR APPLICATION. IF YOU ARE NOT SURE HOW TO SAFELY USE THIS BRAKE COMPONENT OR KIT, YOU SHOULD NOT INSTALL OR USE IT. DO NOT ASSUME ANYTHING. IMPROPERLY INSTALLED OR MAINTAINED BRAKES ARE DANGEROUS. IF YOU ARE NOT SURE, GET HELP OR RETURN THE PRODUCT. YOU MAY OBTAIN ADDITIONAL INFORMATION AND TECHNICAL SUPPORT BY CALLING WILWOOD AT (805) 388-1188, OR VISIT OUR WEB SITE AT [WWW.WILWOOD.COM](http://WWW.WILWOOD.COM). USE OF WILWOOD TECHNICAL SUPPORT DOES NOT GUARANTEE PROPER INSTALLATION. **YOU**, OR THE PERSON WHO DOES THE INSTALLATION MUST KNOW HOW TO PROPERLY USE THIS PRODUCT. IT IS NOT POSSIBLE OVER THE PHONE TO UNDERSTAND OR FORESEE ALL THE ISSUES THAT MIGHT ARISE IN YOUR INSTALLATION.

RACING EQUIPMENT AND BRAKES MUST BE MAINTAINED AND SHOULD BE CHECKED REGULARLY FOR FATIGUE, DAMAGE, AND WEAR.



Need Additional Information? Use Your  
SmartPhone and Jump to Our Technical  
Tips Section on Our Web Site.

**DISC BRAKES**  
**wilwood**

**WARNING**

**DO NOT OPERATE ANY VEHICLE ON UNTESTED BRAKES!**  
**SEE MINIMUM TEST PROCEDURE WITHIN**

ALWAYS UTILIZE SAFETY RESTRAINT SYSTEMS AND ALL OTHER AVAILABLE SAFETY EQUIPMENT WHILE OPERATING THE VEHICLE

**IMPORTANT • READ THE DISCLAIMER OF WARRANTY INCLUDED IN THE KIT**

NOTE: Some cleaners may stain or remove the finish on brake system components. Test the cleaner on a hidden portion of the component before general use.

## Important Notice - Read This First

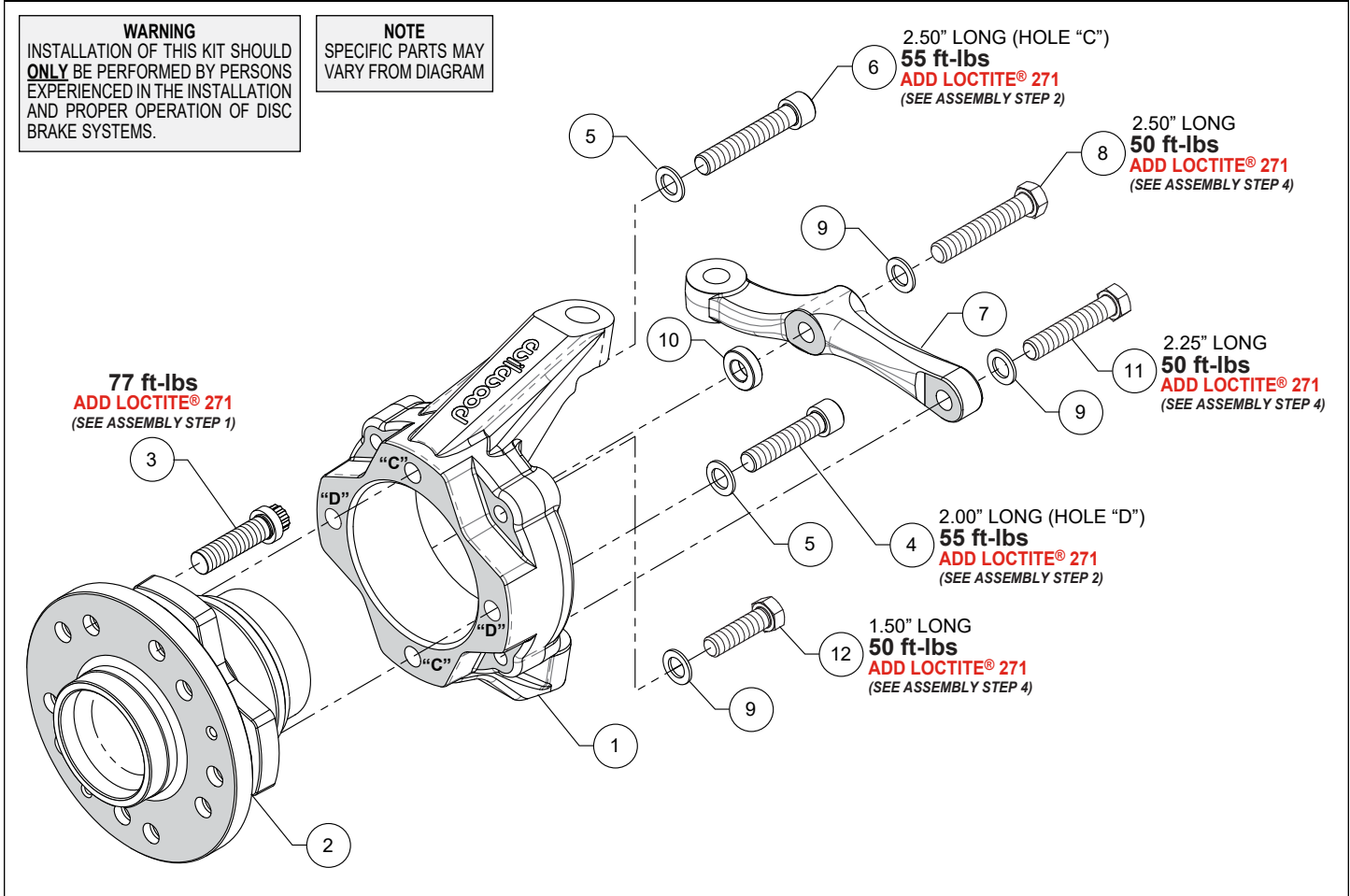
Before any tear-down or disassembly begins, review the following information:

- Due to OEM production differences and other variations from vehicle to vehicle, the fastener hardware and other components in this kit may not be suitable for a specific application or vehicle.
- It is the responsibility of the purchaser and installer of this kit to verify suitability / fitment of all components and ensure all fasteners and hardware achieve complete and proper engagement. Improper or inadequate engagement can lead to component failure.

## Photographic Tip

**Important** and highly recommended: Take photos of brake system before disassembly and during the disassembly process. In the event, trouble-shooting photos can be life savers. Many vehicles have undocumented variations, photos will make it much simpler for Wilwood to assist you if you have a problem.

## Exploded Assembly Diagram



## Parts List

<u>ITEM NO.</u>	<u>PART NO.</u>	<u>DESCRIPTION</u>	<u>QTY</u>
1	810-17727	Spindle, 2.00" Drop	1
2	270-17729	Hub Assembly, 5 x 4.50"/4.75" Stud Pattern	1
3	230-6959	Stud, Wheel, 1/2-20 x 2.00" Long, 12 Point	5
4	230-17979	Bolt, 7/16-20 x 2.00" Long, Socket Head	2
5	240-11101	Washer, .453" I.D. x .750" O.D. x .063" Thick	4
6	230-17980	Bolt, 7/16-20 x 2.50" Long, Socket Head	2
7	820-9582	Steering Arm	1
8	230-17978	Bolt, 7/16-14 x 2.50" Long, Hex Head	1
9	240-11101	Washer, .453" I.D. x .750" O.D. x .063" Thick	3
10	300-9824	Spacer, .250" Thick	1
11	230-17977	Bolt, 7/16-14 x 2.25" Long, Hex Head	1
12	230-9458	Bolt, 7/16-14 x 1.50" Long, Hex Head	1

### NOTES:

Part Number 230-17990 Bolt Kit, steering arm to spindle, includes part numbers 230-9458, 230-17977, 230-17978, 240-11101, and 300-9824

Part Number 230-17989 Bolt Kit, hub to spindle, includes part numbers 230-17979, 230-17980, and 240-11101

Part Number 230-17981 Bolt Kit, wheel studs, includes part number 230-6959

## General Information

•Installation of this kit should **ONLY** be performed by persons experienced in the installation and proper operation of disc brake systems. Before assembling this Wilwood ProSpindle kit, double check the following to ensure a trouble free installation.

•Inspect the contents of this kit against the parts list to ensure that all components and hardware are included.

•Make sure this is the correct kit to fit the exact make and model year of your vehicle. This kit is designed for direct bolt-on installation to Mustang II type front suspensions.

•Verify the new hub stud pattern (5 x 4.50 or 5 x 4.75) matches the lug pattern of the vehicles wheels.

•**NOTE:** This ProSpindle uses a VR-Style ABS (not Hall Effect) that is compatible with a 50 tooth reluctor. The connector is supplied with a removable plug.

## Disassembly Instructions

•Disassemble the original equipment front brakes:

Raise the front wheels off the ground and support the front suspension according to the vehicle manufacturer's instructions.

Remove the front wheels and completely disassembly the stock brake system down to the bare spindles, then remove the spindles.

## Assembly Instructions

**NOTE:** Numbers in parenthesis refer to the parts list and Figure 1 on the preceding page.

**STEP 1** Apply red *Loctite*<sup>®</sup> 271 to the wheel stud (3) threads and install into the hub (2), Figure 1, and Photo 1. Torque to value shown in Figure 1. **NOTE:** There are two five lug patterns in the hub (5 x 4.50 and 5 x 4.75). Ensure the correct hub stud pattern is being used to fit the wheel application.

**STEP 2** Install the hub assembly (2) into the spindle (1), Photos 2 and 3. Secure using bolts (4 and 6) and washers (5), Photo 3. Apply red *Loctite*<sup>®</sup> 271 to the bolt threads and torque bolts to value shown in Figure 1. **NOTE:** There are two different length bolts, ensure the correct length bolts are being used for Holes "C" and "D" as indicated in Figure 1 and Photo 3.



Photo 1



Photo 2

## Assembly Instructions (Continued)

**STEP 3** Install the Wilwood ProSpindle assembly (1 and 2) into place between the upper and lower ball joints. Torque ball joints nuts to Original Equipment Manufacturer (OEM) specifications. Install new cotter pin, not supplied.

**STEP 4 NOTE:** For this portion of the installation, follow the instructions from the separately purchased Wilwood brake kit. Bolts (8, 11, 12), washers (9), and spacer (10) will be utilized to mount the steering arm (7) and caliper mount bracket (included with separately purchased Wilwood brake kit).

**STEP 5** After installing the separately purchased Wilwood brake kit, attach existing tie rod end to the new steering arm (7). Torque the tie rod end nut to OEM specifications. Install new cotter pin, not supplied.

**STEP 6** After brake kit installation, have a qualified technician perform a front end alignment on the vehicle.

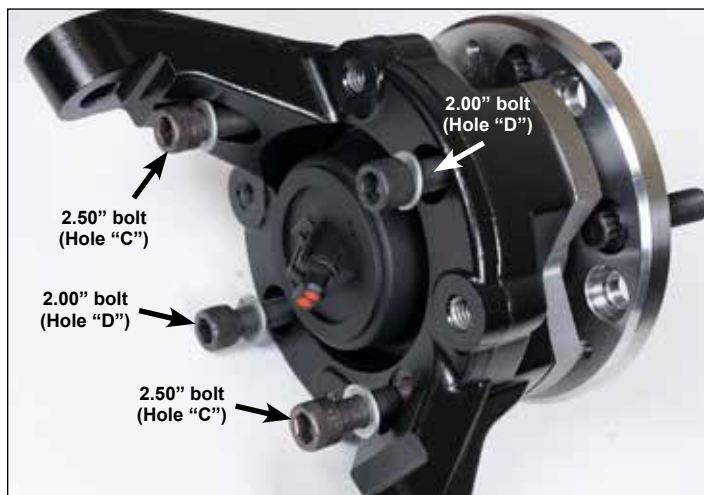


Photo 3

## Connect with Wilwood

Wilwood Facebook



Wilwood Instagram



Wilwood Twitter



Wilwood YouTube



## Associated Components

<u>PART NO.</u>	<u>DESCRIPTION</u>
<a href="#">260-13706</a>	Wilwood Residual Pressure Valve (2 lb for disc brakes)
<a href="#">260-13707</a>	Wilwood Residual Pressure Valve (10 lb for drum brakes)
<a href="#">260-8419</a>	Wilwood Proportioning Valve, Knob Style
<a href="#">260-8420</a>	Wilwood Proportioning Valve, Lever Style
<a href="#">260-11179</a>	Wilwood Combination Proportioning Valve with Brake Light Switch
<a href="#">290-0632</a>	Wilwood Racing Brake Fluid (Hi-Temp <sup>o</sup> 570) (12 oz)
<a href="#">290-6209</a>	Wilwood Racing Brake Fluid (EXP 600 Plus) (16.9 oz)
<a href="#">340-13831</a>	Wilwood Floor Mount Brake Pedal (with balance bar)
<a href="#">340-13832</a>	Wilwood Swing Mount Brake Pedal (with balance bar)
<a href="#">260-6764</a>	Wilwood 3/4 inch High Volume Aluminum Master Cylinder
<a href="#">260-6765</a>	Wilwood 7/8 inch High Volume Aluminum Master Cylinder
<a href="#">260-6766</a>	Wilwood 1 inch High Volume Aluminum Master Cylinder
<a href="#">260-4893</a>	1-1/16 inch Tandem Master Cylinder (aluminum housing)
<a href="#">260-8555</a>	Wilwood 1 inch Aluminum Tandem Chamber Master Cylinder
<a href="#">260-8556</a>	Wilwood 1-1/8 inch Aluminum Tandem Chamber Master Cylinder
<a href="#">220-7056</a>	Stainless Steel Braided Flexline Kit, Universal, 14 Inch, Domestic, 3/8-24 IF
<a href="#">220-7699</a>	Stainless Steel Braided Flexline Kit, Universal, 16 Inch, Domestic, 3/8-24 IF
<a href="#">220-8307</a>	Stainless Steel Braided Flexline Kit, Universal, 18 Inch, Domestic, 3/8-24 IF
<a href="#">220-8338</a>	Stainless Steel Braided Flexline Kit, Universal, 14 Inch, Metric 10mm x 1.0
<a href="#">220-6856</a>	Stainless Steel Braided Flexline Kit, Universal, 18 Inch, Metric 10mm x 1.0