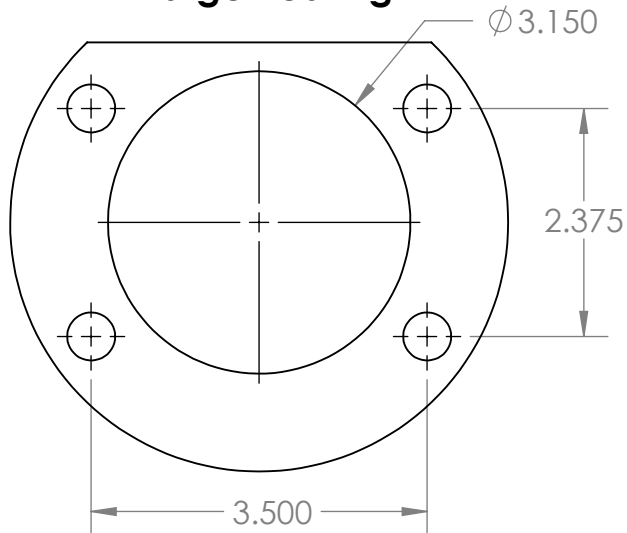
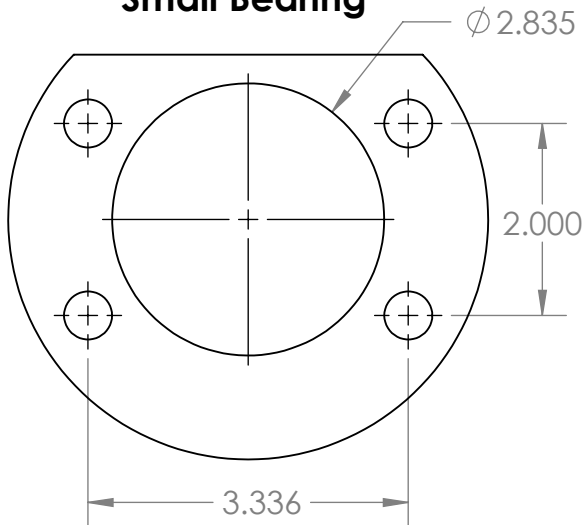


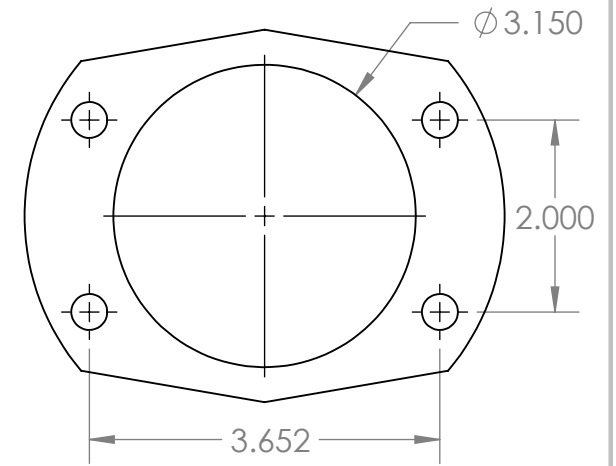
**Ford 9in  
Large Bearing**



**Ford 8in & 9in  
Small Bearing**



**Ford 9in  
Large Bearing  
Torino**



DRAWN BY: <b>Andrew Jones</b>	UNLESS OTHERWISE SPECIFIED DIMENSIONS ARE IN INCHES		DATE: 7/13/2017		
VENDOR:	TOLERANCES: ANGULAR ± 1 DEGREE BEND ± 1 DEGREE TWO PLACE DECIMAL ± 0.008 THREE PLACE DECIMAL ± 0.005		DESCRIPTION: Ford Axle Flange Identification		
<p><b>PROPRIETARY AND CONFIDENTIAL</b></p> <p>THE INFORMATION CONTAINED IN THIS DRAWING IS THE SOLE PROPERTY OF MASTER POWER BRAKES. ANY REPRODUCTION IN PART OR AS A WHOLE WITHOUT THE WRITTEN PERMISSION OF MASTER POWER BRAKES IS PROHIBITED.</p>	MATERIAL:  FINISH  DO NOT SCALE DRAWING		PART #: n/a	SIZE <b>A</b>	REV <b>A</b>
110 CROSSLAKE PARK DR MOORESVILLE NC, 28117		SCALE: 1:2		SHEET 1 OF 1	