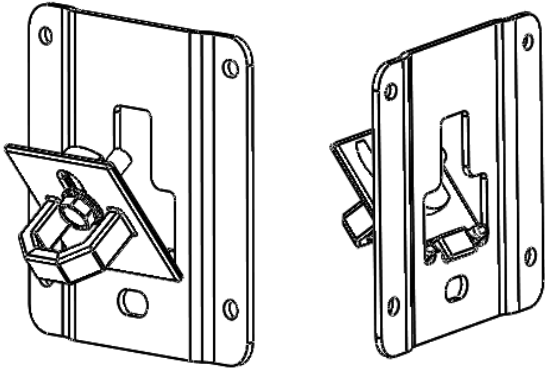
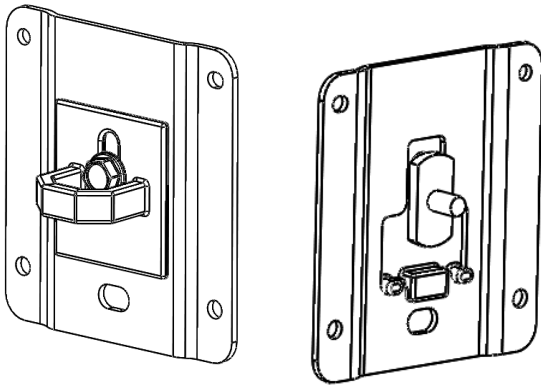


1. Put the bolt through the tie down and thread into the threaded plate. Continue threading the bolt into the threaded plate until there is about $\frac{1}{4}$ " between the tie down and the threaded plate.
2. Hook the bottom of the tie down into the plate that is mounted in the bed of the truck.



3. Align the threaded plate with the opening and push the tie down up against the bed mounting plate



4. Move the bolt to the top of the slot and rotate the plate 90 degrees. Pull out on the tie down to keep the threaded plate under tension and tighten the bolt with a 13mm socket.

