

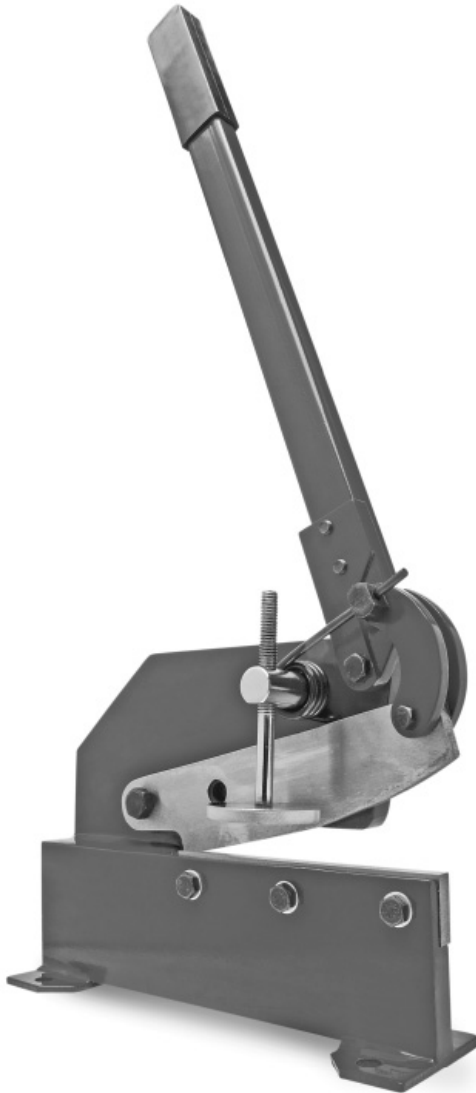
Eastwood

DO THE JOB RIGHT.

Item #20198

8" BENCH SHEAR

INSTRUCTIONS



SAFETY INFORMATION



READ INSTRUCTIONS!

Thoroughly read and understand manual before using this Bench Shear.
Save for future reference.



OPERATIONAL HAZARDS!

- While installing or operating wear ANSI approved eye protection.
- Use for intended purposes only! Do not exceed rated material capacity.
- Before mounting inspect backside of surface for electrical wires before drilling.
- Keep hands and body parts away from cutting and other moving components.
- Sheet metal may have sharp edges before and after cutting, handle with gloves and avoid sharp edges.



SPECIFICATIONS

BLADE LENGTH	8"	
CAPACITY	Steel Sheet	0.119" (11 Gauge)
	Steel Flat Bar	0.1875" x 1"
	Steel Round Bar	0.1875"

ASSEMBLY & MOUNTING

Mounting

1. This Shear is designed to be bolted to a solid metal or wood surface.
2. Position the Shear onto the surface it will be mounted to in the preferred orientation. Check overhead clearance for handle. A minimum of 48" is recommended. Check below mounting surface for obstructions like electrical wires, or brackets.
3. Mark the center of each of the mounting holes onto the mounting surface.
4. Move the Shear Aside and drill through the surface at each of the points.
5. Position the shear back over the holes.
6. Install high grade bolts with washers (not included) that are the proper length to go through the base of the shear and the mounting surface. Do not use lag screws!
7. Install flat washers and nuts onto the bolt on the bottom side of the mounting surface and tighten securely.

Assembly

1. Lubricate all moving parts of the shear with heavy oil.
2. Install the two M10x1.5 Hex Bolts with Washers through the Handle and into the Shear Handle Mount using a 17mm Wrench.

OPERATION

Cutting Flat Material

1. Insert material into rear of jaws.
2. Adjust material hold down, if utilizing, by threading out to hold material in place.
3. Pull down on handle to begin the cut. If cutting a piece longer than the blade length, do not pull the handle all the way down. Pull partially and then lift up on the handle and slide the piece forward to keep the cut in line with the jaws.

Cutting Round Material

1. Insert round material into the hole in the side of the upper jaw which is designated for cutting round material.
2. Pull down on handle to cut.

MAINTENANCE

1. Before each use lubricate all moving and bare steel parts with heavy oil to keep the shear functioning smooth and avoid corrosion.
2. Check the handle and base mounting bolts to ensure they are tight.

If you have any questions about the use of this product, please contact

The Eastwood Technical Assistance Service Department: 800.544.5118 >> email: techelp@eastwood.com

PDF version of this manual is available online >> eastwood.com/20198 manual

The Eastwood Company 263 Shoemaker Road, Pottstown, PA 19464, USA

US and Canada: 800.345.1178 Outside US: 610.718.8335 Fax: 610.323.6268 eastwood.com

© Copyright 2014 Easthill Group, Inc. Instruction part #20198Q Rev. 6/14