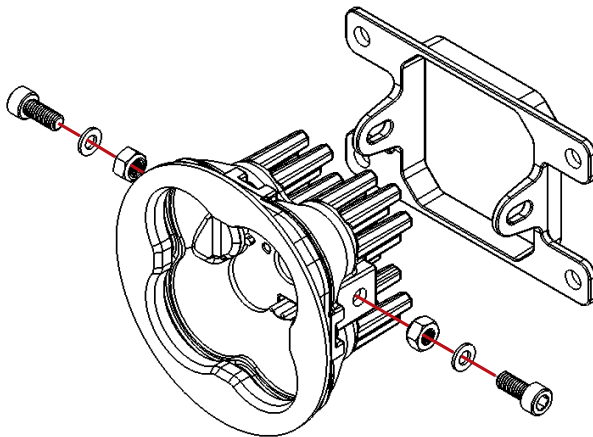




Thank you for your purchase of our new SS3 Type A Foglight Bracket Kit. CAD-designed to use existing mounting points, this kit is compatible with many Acura, Ford, Honda, Nissan, and Subaru models. Basic installation instructions are included below.

**Please contact us if you have any questions.**



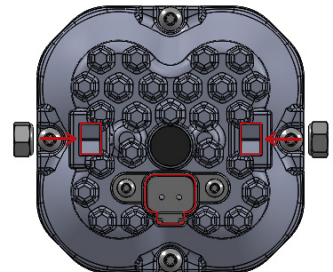
*Left and Right Sides*

1. Attach the bracket to the pod. See the diagrams above and to the right. Make sure the bracket is in the correct orientation.

COMPUTER DESIGNED  
**OEM FITMENT**



**TOP**



**BOTTOM**

*See back for further instructions.*

2. Access your factory fog lights. Usually it is easiest to pull back the wheel well liner and reach to the lights.
3. Disconnect the fog light connector from the vehicle wiring harness.
4. Remove the factory fog light housing. The factory hardware will be reused.
5. Install your new SS3 pod using the factory hardware. The tabs and holes on the bracket should align with the mounting points of the factory fog light housing. Re-use the factory hardware, tightening securely.
6. Use the included wire adapters to connect the pod to the vehicle wiring harness.
7. Test function. If the light does not turn on, try flipping the connector 180°.
8. Adjust and aim the fog light according to your local and state laws using the screws on the side of the bracket. In general, fog lamps should be angled slightly downwards to illuminate the area directly in front of your vehicle.

Please contact **Diode Dynamics** should you have any questions about the installation or wiring process, at **314-205-3033** (9a-5p CST) or **contact@diodedynamics.com**.

### ***NEED MORE HELP?***

**Scan the QR code to link to our YouTube Channel!**

We continuously bring in vehicles to our testing garage in order to create step-by-step videos to walk you through the installation process on your specific vehicle. Scan the QR code to see all our installation videos. Be sure to subscribe to our channel to stay up-to-date on the newest products and videos from Diode Dynamics!

**You** 



### **This installation guide is for the following SKUs:**

**DD6176** Worklight SS3 Sport Type A Kit White Driving

**DD6177** Worklight SS3 Sport Type A Kit White Fog

**DD6178** Worklight SS3 Sport Type A Kit Yellow Driving

**DD6179** Worklight SS3 Sport Type A Kit Yellow Fog

**DD6180** Worklight SS3 Pro Type A Kit White Driving

**DD6181** Worklight SS3 Pro Type A Kit White Fog

**DD6182** Worklight SS3 Pro Type A Kit Yellow Driving

**DD6183** Worklight SS3 Pro Type A Kit Yellow Fog

**100% SATISFACTION  
GUARANTEE**

