

2015-2017 North America	PN: 21-11028-02 QuickLIFT PLUS PN: 21-11028-03 QuickLIFT ELITE
2015-2017 EURO	PN: 21-11031-02 QuickLIFT PLUS PN: 21-11031-03 QuickLIFT ELITE
GT350 ONLY	PN: 21-11030-02 QuickLIFT PLUS PN: 21-11030-03 QuickLIFT ELITE
2018+ includes EURO	PN: 21-11035-02 QuickLIFT PLUS PN: 21-11035-03 QuickLIFT ELITE

Version 2.5 2/2018



2015+ Ford Mustang - ALL HOODS QuickLIFT Installation Guide

Patent Pending system

Step 1 - Unpack QuickLIFT system and verify contents.

Remove all items from the packing tube. You should have the following components before beginning:

- * (2) Gas springs (**RT-QL-133-55A**)
- * (2) Fender brackets with bolt and red-insert PN 55-00015
- * (1) Left-Hand hood bracket (LH) PN 32-00015, PN 32-00017 for GT350, PN 32-00012 EURO)
- * (1) Right-Hand hood bracket (RH) PN 32-00016, PN 32-00018 for GT350, PN 32-00013 EURO)
- * (1) Plastic drill guide used for battery cover PN 38-00009
- * (1) 3/4" Stepped Drill Bit PN 38-00010

Applications: 2016+ Shelby GT350 use **ONLY** part number (21-11030-02,-03), otherwise (21-11028-02,-03) will fit all other 2015-17 North American Ford Mustangs with stock & aftermarket hoods. Outside North America - use QuickLIFT system part number (21-11031-02, -03) . For 2018+ all except GT350 - (21-11035)

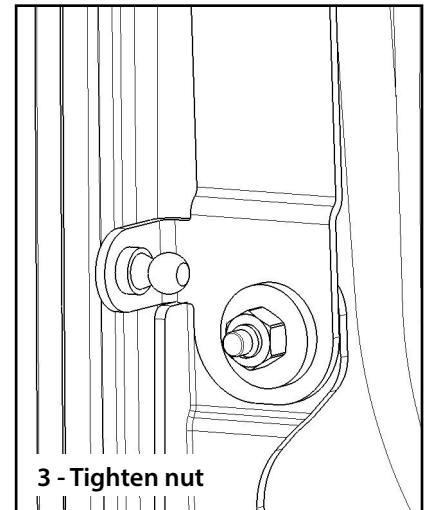
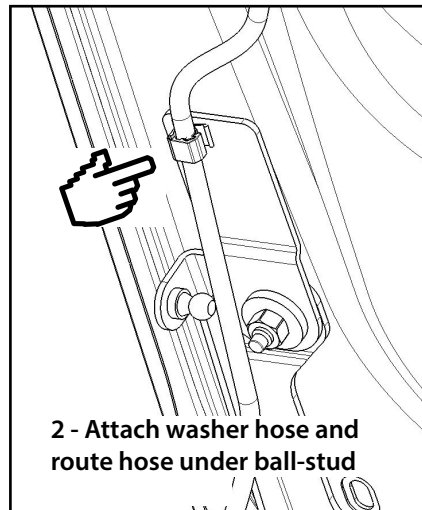
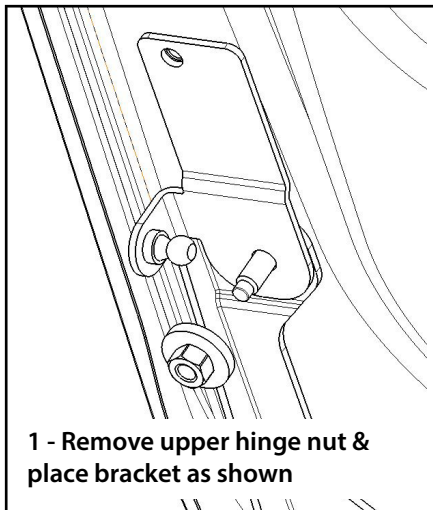
Step 2 - Gather the required tools.

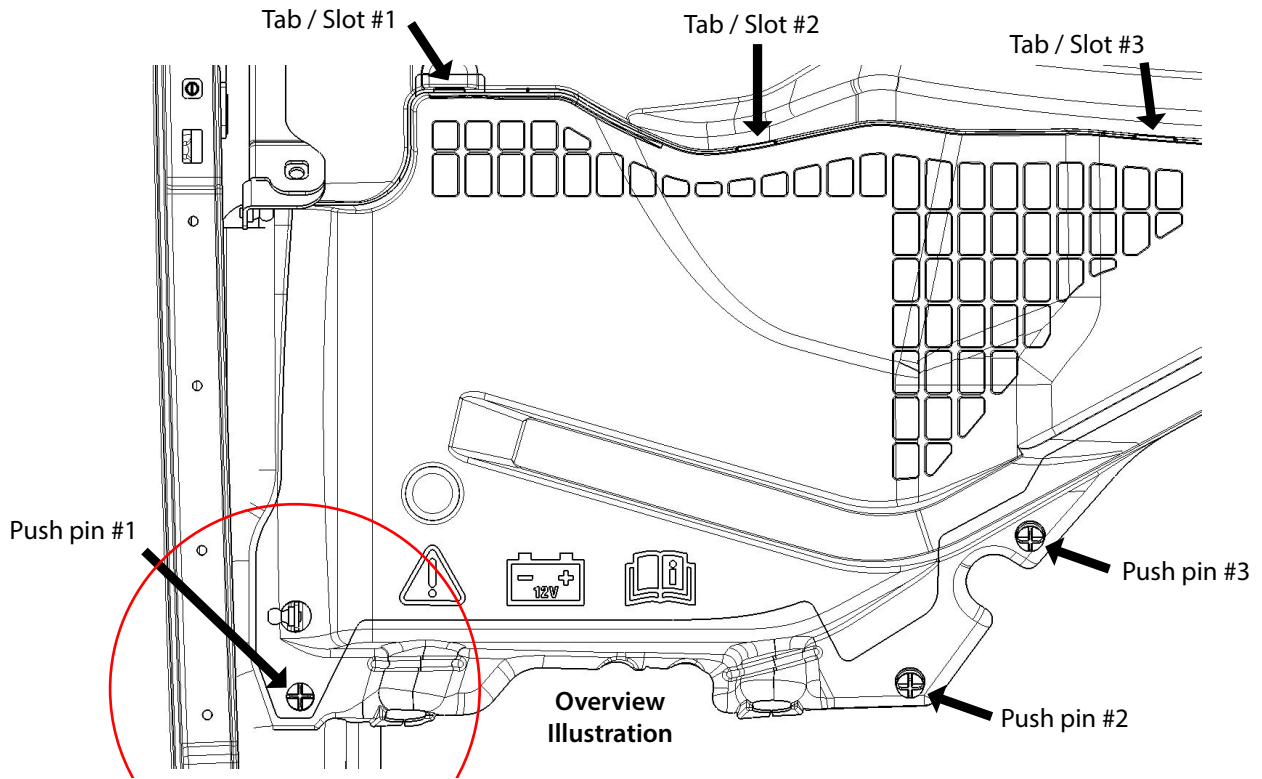
Please gather the following tools before you begin the installation:

- * Socket wrench with 10mm or 13mm deep-well socket.
- * Electric drill.
- * Center punch

Step 3 - Install hood brackets - Right Hand (RH) and Left Hand (LH)

- A. Remove the hood's RH upper most hinge bolt using a socket wrench with a 10mm or 13mm socket (depends on region sold).
- B. The RH bracket goes onto the right-hand side of the vehicle (from the driver's perspective). The bracket will go over the upper hinge bolt (Fig. 1) and extend vertically onto inner hood for support. Washer hose attachment can be popped through hole (Fig. 2) on some applications.
- C. Tighten nut(s) back down to secure bracket using the same socket.
- D. Repeat for LH side of vehicle (driver's side in North America). Again, if the hood was slightly misaligned at the factory, you may have to slightly loosen the lower hinge nut to get the bracket to rotate vertically.

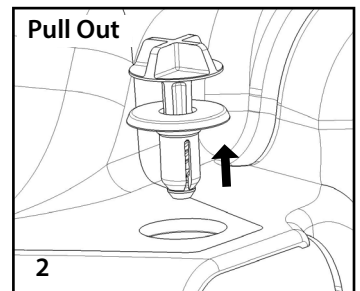
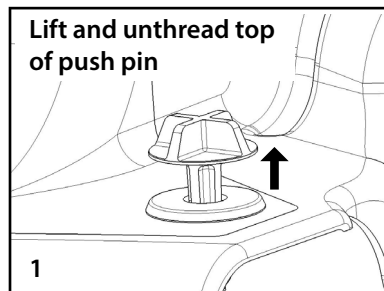




Step 4 - Position plastic guide to mark center of hole on battery cover

A. Unscrew the front push pin #1 that holds down the battery cover. Once it stops, pull out the push pin assembly easily with fingers.

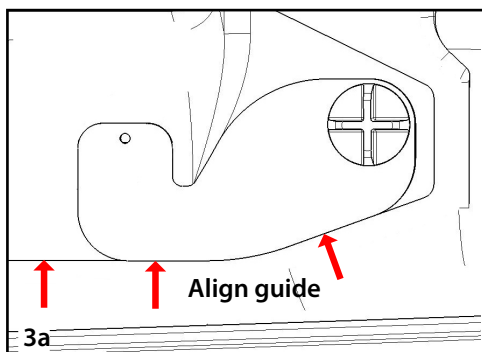
(See overall illustration above for push pin location and Illustrations 1 & 2 to the right for removal).



B. Insert the push-pin thru the larger hole in plastic drill guide and then back into the hole it came from. Now rotate guide until it aligns to the **plastic** edge of the battery cover - *(The border of the rubber seal surrounding the battery cover)* *(Illustrations 3a & 3b)*

(For right hand drive vehicles, the guide should be flipped over so it will align to your battery cover as it is a mirror image of the one shown).

C. Mark the center of the small hole at the top of the drill guide while keeping the guide aligned with the edge of the plastic as shown.

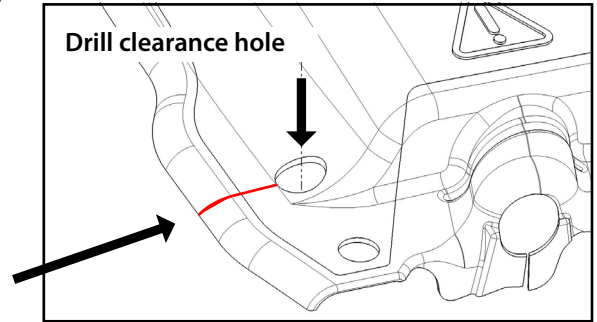


Step 5 - Remove battery cover to drill 3/4"

A. Remove the (3) push-pins holding down the front of the battery cover, then remove cover by lifting slightly and pulling forward to release the three 22mm tabs at the top edge that retain it.

B. Carefully drill a small pilot hole in the plastic battery cover as marked in Step 4. Then drill the final 3/4" hole with the included step bit - entirely through the plastic. This hole is used for a pass-thru of the fender bracket installed in the next step.

OPTIONAL STEP: For easy removal of the battery cover with the QuickLIFT system installed, cut a small slot from the center of the drilled hole straight out to the edge.

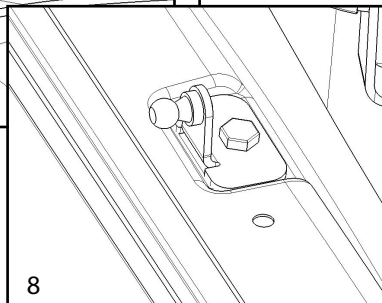
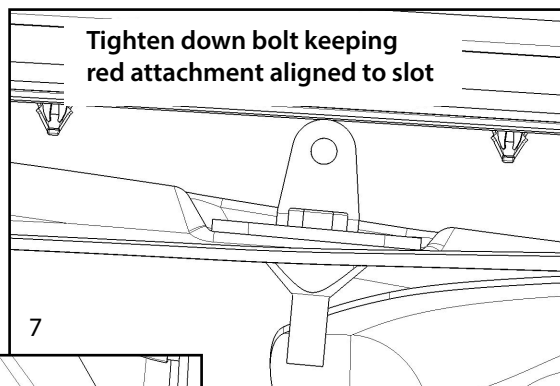
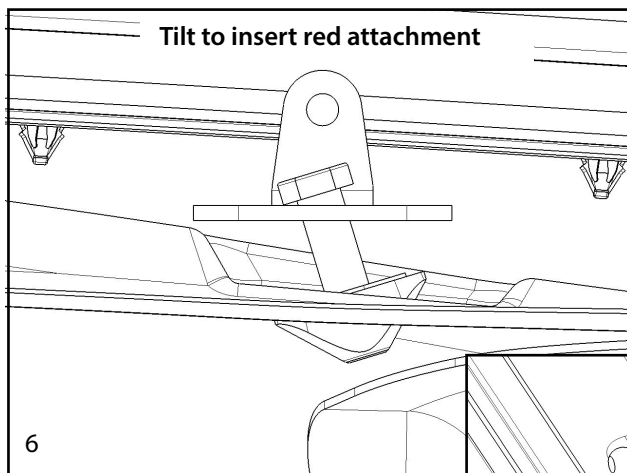


Step 6 - Install fender bracket assembly on both sides of vehicle.

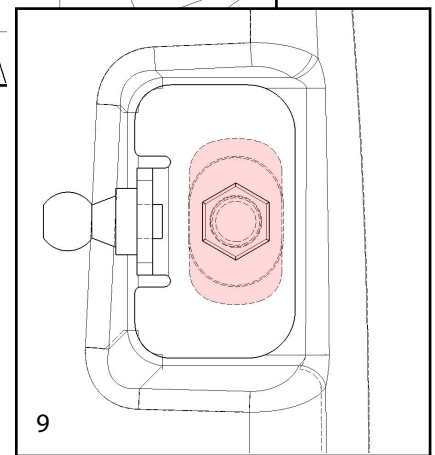
A. Be sure that the bolt in the bracket assembly is threaded most of the way thru the red attachment - leave 1-2 threads of the red attachment showing from bottom.

B. Tilt and insert the red attachment through the fender hole keeping the ball-stud aiming outward or away from the vehicle - shown in Illustration 6 below.

C. With the bracket pushed down into the recessed cavity, pull up on the bolt while turning bolt clock-wise to tighten. Slowly, the assembly will tighten, compressing the bracket and fender between the red attachment (lower) and bolt (on top). **The red attachment is designed to fit perfectly in the fender slot and can be seen in the correct orientation in Illustration 9. Be sure it is aligned properly before final tightening of bolt.**



D. Repeat installation on opposite side of vehicle. Ball studs aiming outward or away from vehicle on both sides.



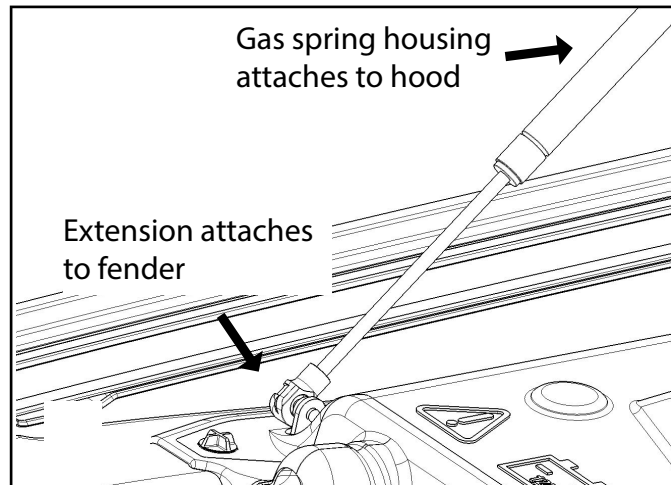
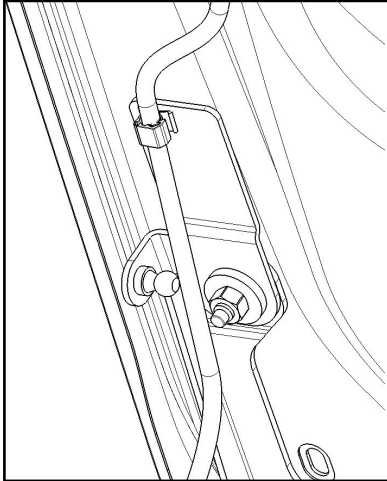
Step 7 - Reinstall battery cover.

A. Push the ball stud / bracket through the battery cover hole that was drilled.

B. Carefully align the 3 upper tabs on battery cover with the three slots on the cowl. Slide cover into slots and then reinstall the push pins into the front of the battery cover. **Be sure that the cover gets tucked back around the battery cables and is fully seated.**

Step 8 - Install gas springs.

- A. Route washer line over the bracket and under ball-stud. Plug in the hood attachment back through the new bracket and into the same hole from which it was removed.
- B. Lightly press on the extending end of gas spring to the fender ball stud. Rock the socket back and forth - you want the inner c-clip to spread around the ball-stud. Do not force straight on as this can bend the inner clip.
- C. Snap on large end of gas spring to the hood's ball-stud, same as described above. You may have to twist the socket to align to ball-stud, as well as have someone raising up the hood to center the ball & socket before snapping it on.



How To Remove Struts:

Slide a small flat blade screw driver under the metal c-clip. Lift and rotate c-clip (DO NOT REMOVE C-CLIP). Gas spring will pop off of ball-stud.

Press c-clip back into position and the gas spring is ready to reinstall.

