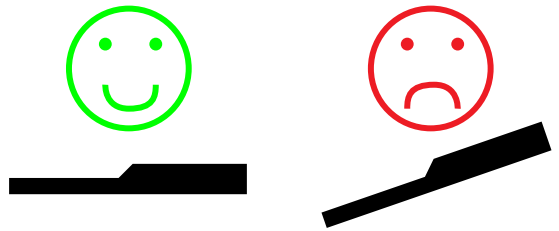


INCLUDED IN KIT

- x2 Headlights
- x2 Ballasts
- x1 Wiring Harness
- x1 Spare Voltage Regulator
- x1 Packet Connector Protector

AIMING YOUR HEADLIGHTS

1. Our HIDprojectors headlights are designed with an internal cutoff shield that will not blind oncoming traffic. In order for this feature to work, you will need to properly aim your headlights.
2. Park your vehicle approximately 20-30 feet from a wall and turn on your headlights.
3. You will see the cutoff line immediately. Using the diagram rotate your headlights accordingly.

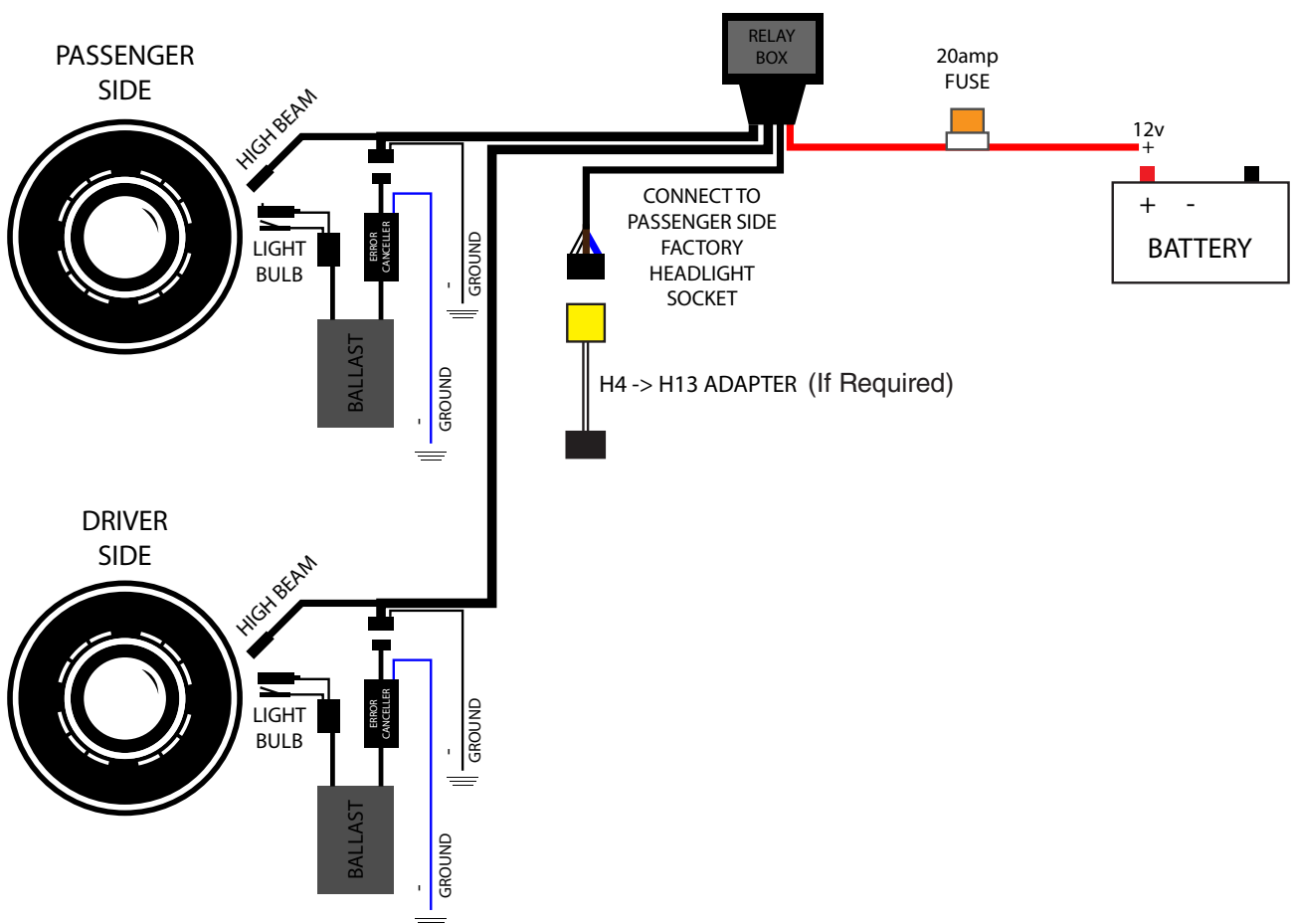


INSTRUCTIONS

1. Release hood latch, open hood.
2. Disconnect negative battery cable.
3. Unplug and remove factory headlights.
4. Install the included headlight wiring harness, and apply connector protector to all connections. (FIGURE 1)
5. Replace with your new HIDprojectors headlights. (see "AIMING YOUR HEADLIGHTS" section for proper horizontal alignment.)
6. Reconnect the negative battery terminal.

4. Once aligned to your satisfaction, firmly secure your headlights in place.
5. See included diagram for Halo, Angel Eye, and Devil Eye wiring (FIGURE 2: BACK). For color changing diagram (FIGURE 3: BACK).

FIGURE 1
WIRING HARNESS



Questions:

Email support@HIDprojectors.com or
call 716-662-3479 Monday-Friday, 9am-5pm EST

FIGURE 2
ANGEL EYES, DEVIL EYES, AND HALOS

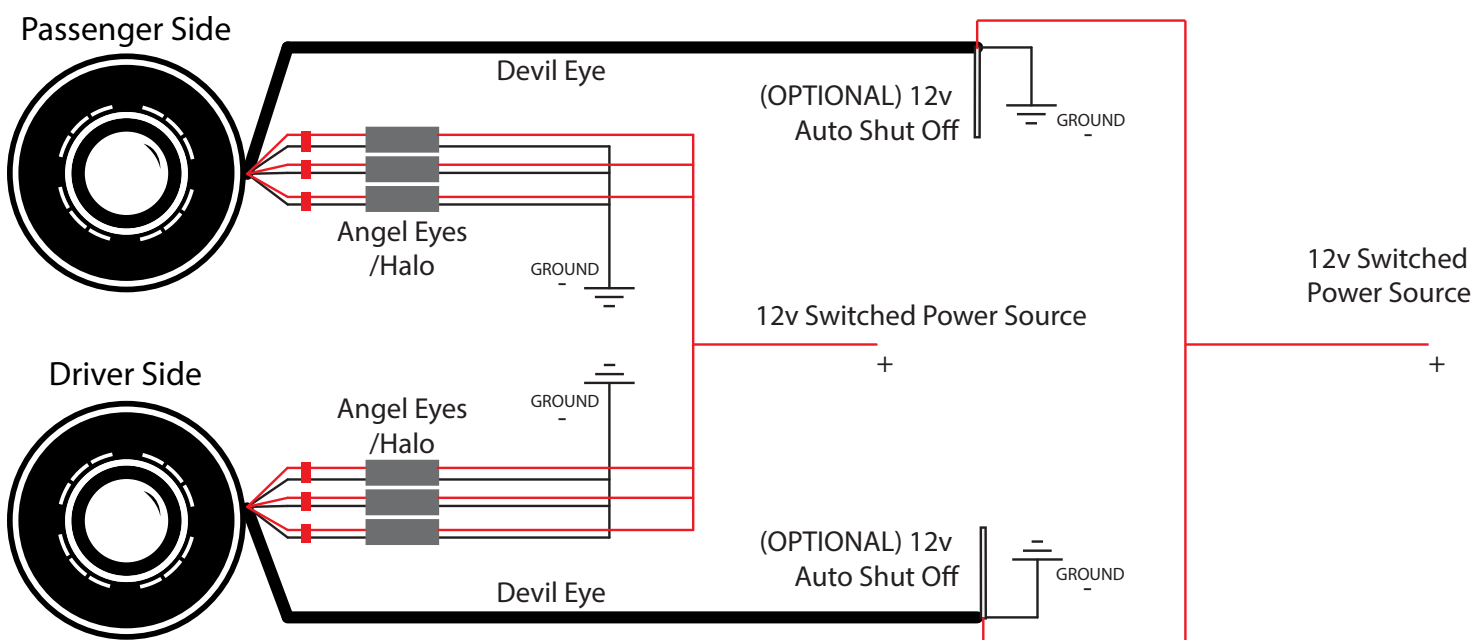
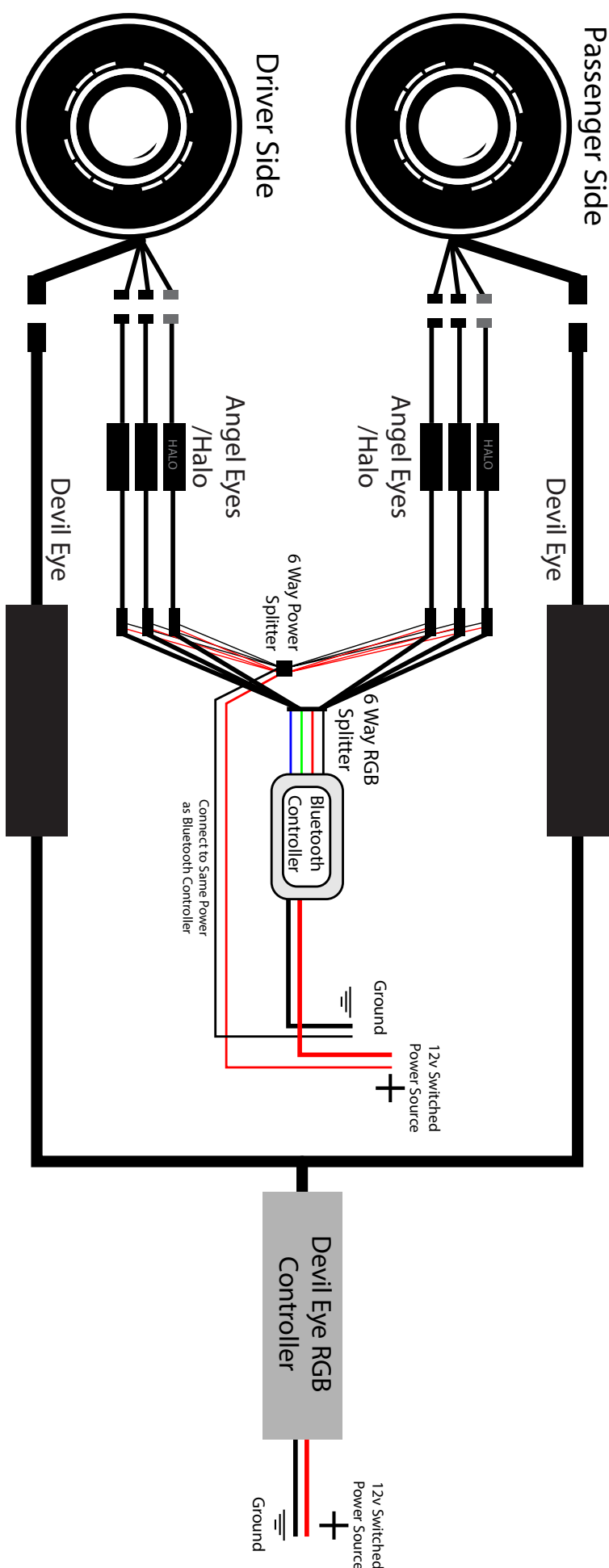


FIGURE 3
COLOR CHANGING



Halo RGB

When attaching the regulator labeled "HALO" only attach it to the matching connector on the headlight. This is a slightly higher voltage regulator and could damage the smaller Angel Eyes.

BLUETOOTH APP

(For RGB color changing and Revision 2.0 Chroma)

To download the smart phone app for connecting to the Bluetooth controller, search for these apps in your respective app store.

Google Play Store: Magic Light BLE

Apple App Store: Magic LED Light V2

Pair with the controller directly in the app. Do not pair in the phone settings. Pair within 60 seconds of powering on the controller.

Devil Eye Use Warning

Devil Eye must be OFF when headlights are in use. Running the Devil Eye at the same time as the HID bulb may result in premature failure to the LED on the Devil Eye.