



**FORD PERFORMANCE**

M-1447-F15B  
2018-2022MY F-150  
Black Ovals Without Camera Provision Kit

NO PART OF THIS DOCUMENT MAY BE REPRODUCED WITHOUT PRIOR AGREEMENT AND WRITTEN PERMISSION OF  
FORD PERFORMANCE PARTS © Ford Motor Company 2020

**PRIOR TO INSTALLATION READ THESE INSTRUCTION COMPETELY**  
For questions, Call the FORD PERFORMANCE Techline 1-800-367-3788

Please visit <https://www.performanceparts.ford.com> for warranty information



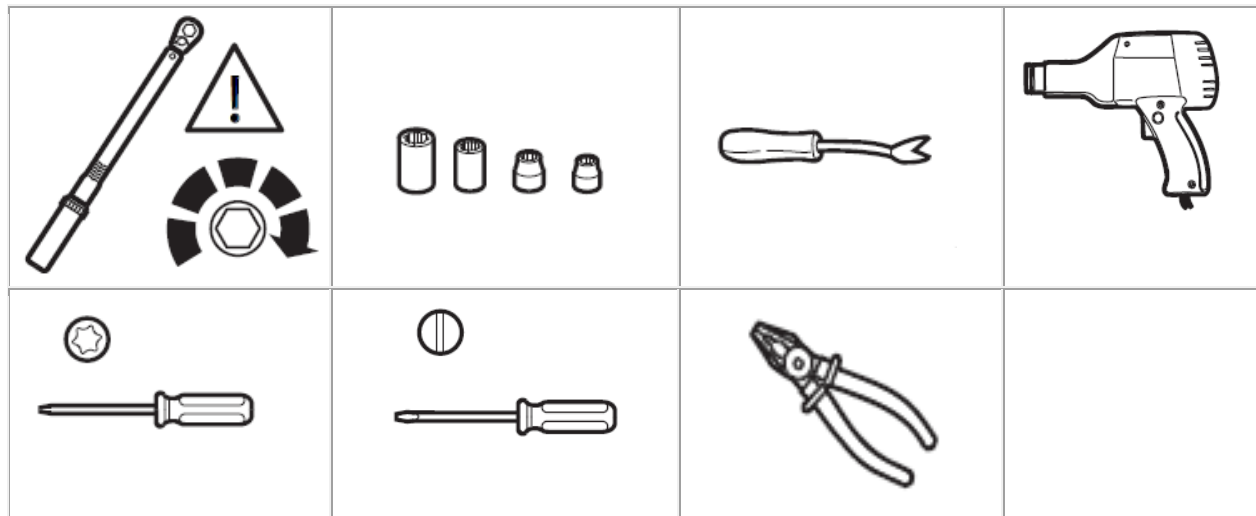
Ford Factory Shop Manual purchase options [www.motorcraftservice.com](http://www.motorcraftservice.com)

NO PART OF THIS DOCUMENT MAY BE REPRODUCED WITHOUT PRIOR AGREEMENT AND WRITTEN PERMISSION OF FORD PERFORMANCE PARTS © Ford Motor Company 2020

**Kit contents:**

<b>Description</b>	<b>Quantity</b>
FPP F-150 Black Pack Oval (Grille)	1
FPP F-150 Black Pack Oval (Tailgate)	1

**Special Tool(s) / General Equipment**




Ford Factory Shop Manual purchase options [www.motorcraftservice.com](http://www.motorcraftservice.com)

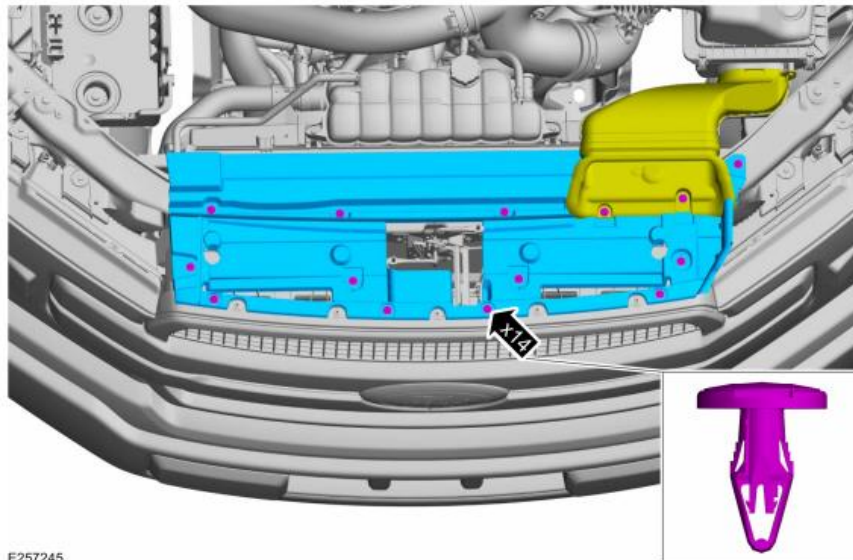
NO PART OF THIS DOCUMENT MAY BE REPRODUCED WITHOUT PRIOR AGREEMENT AND WRITTEN PERMISSION OF FORD PERFORMANCE PARTS © Ford Motor Company 2020

### 2018-2020MY Removal – Grille Oval

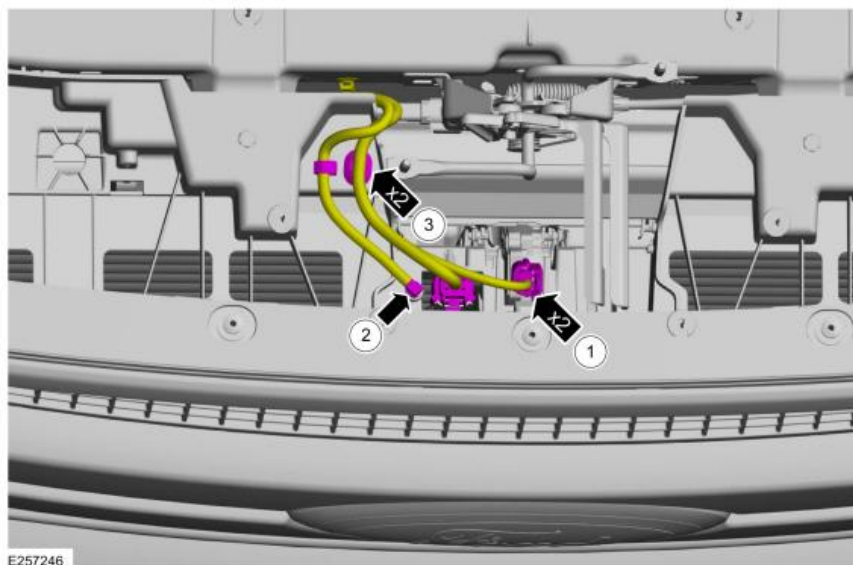
**NOTE:** Removal steps in this procedure may contain installation details.

 Extreme cold weather will cause breakage. A hair dryer can be used to localize warmth before flexing release tabs.

1. Remove the push pin retainers, position aside the air intake duct, and remove the air deflector.



2. **NOTE:** As equipped. Disconnect the electrical connectors and washer hose.



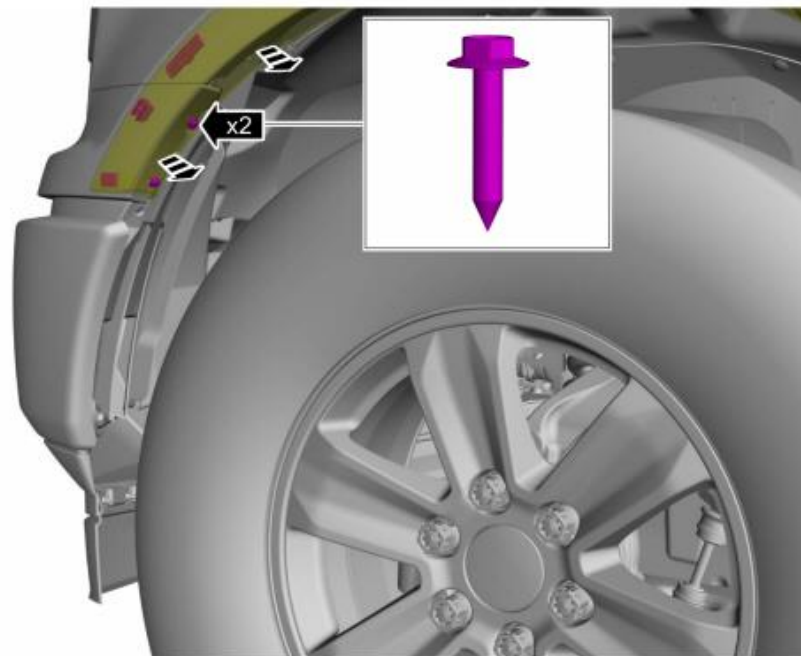
Ford Factory Shop Manual purchase options [www.motorcraftservice.com](http://www.motorcraftservice.com)

NO PART OF THIS DOCUMENT MAY BE REPRODUCED WITHOUT PRIOR AGREEMENT AND WRITTEN PERMISSION OF FORD PERFORMANCE PARTS © Ford Motor Company 2020

3. Raise the vehicle on a hoist.  
Refer to: Jacking and Lifting - Overview (100-02 Jacking and Lifting, Description and Operation).
4. **NOTE:** *Vehicles equipped with fender mouldings.*

*On both sides.*

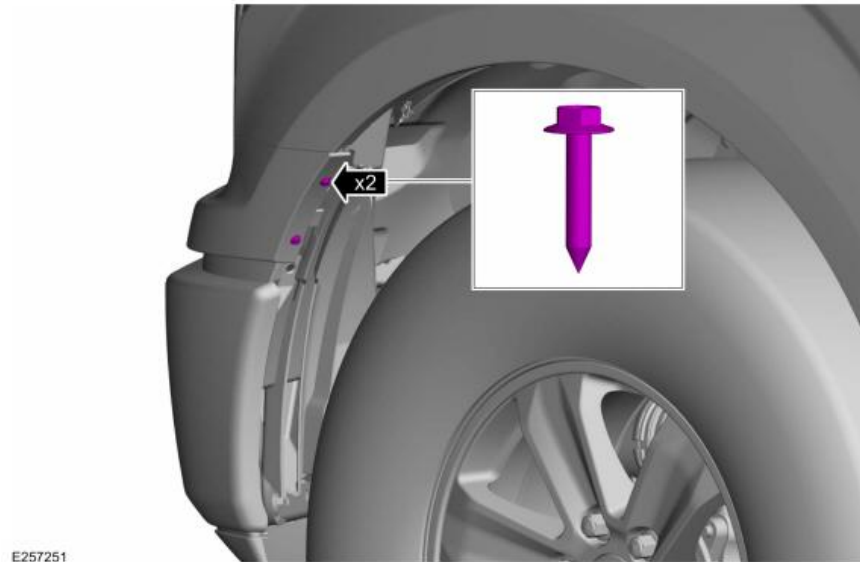
Remove the 2 screws and release the 3 front fender moulding retainers and position the fender moulding out.  
*Torque: 22 lb.in (2.5 Nm)*



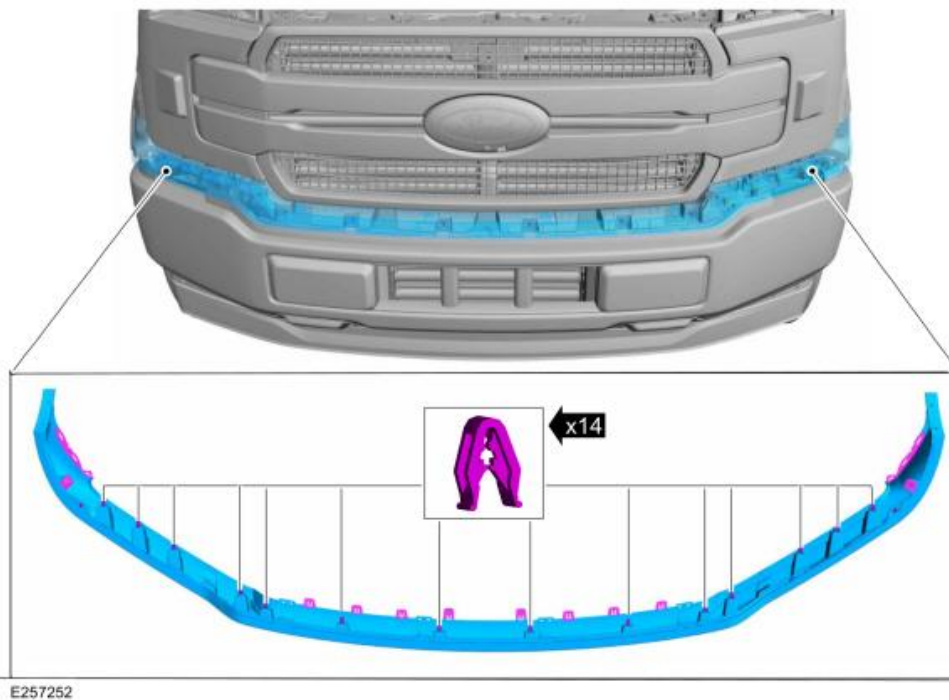
E257247

NO PART OF THIS DOCUMENT MAY BE REPRODUCED WITHOUT PRIOR AGREEMENT AND WRITTEN PERMISSION OF FORD PERFORMANCE PARTS © Ford Motor Company 2020

5. **NOTE:** *On both sides, remove the front bumper upper cover trim panel bolts. Torque: 22 lb.in (2.5 Nm)*



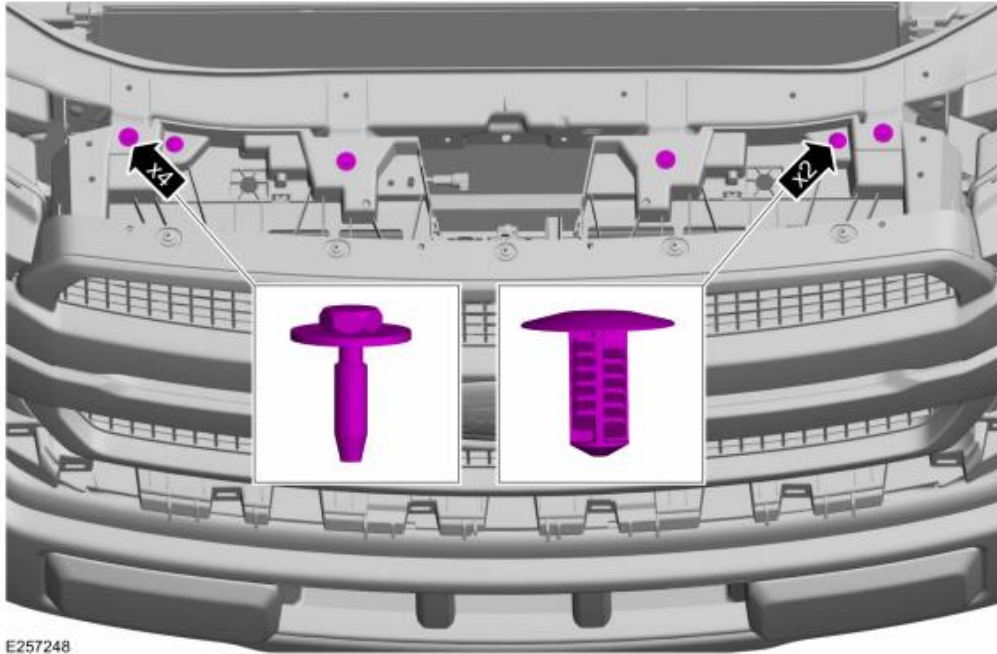
6. Remove the front bumper upper cover trim panel.
- Using a flat-blade screwdriver release the locking tabs
  - Release the front bumper upper cover trim panel clips and remove the front bumper upper cover trim panel.



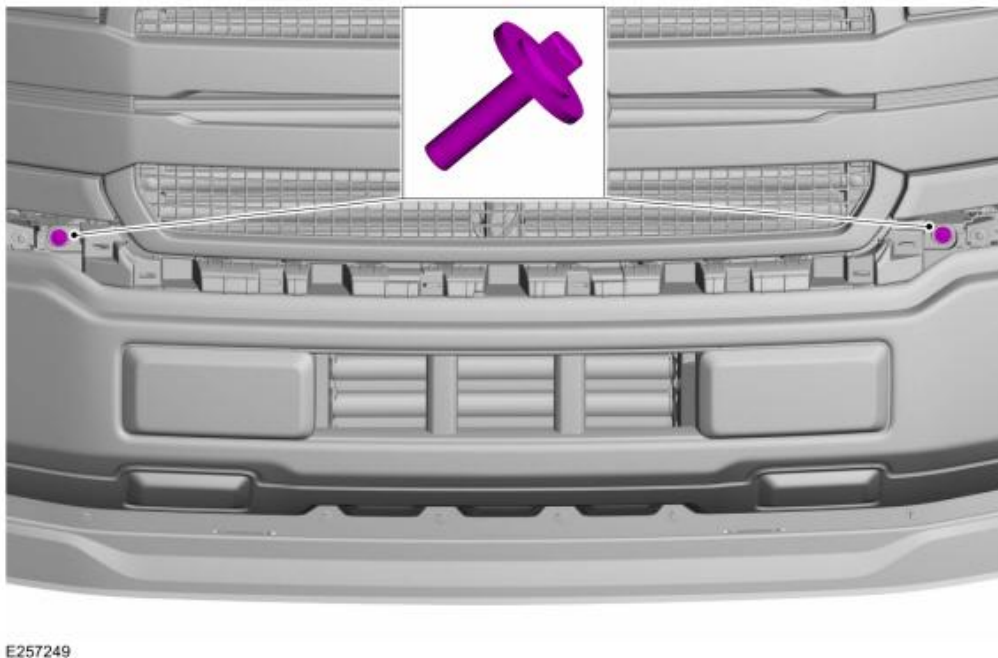
Ford Factory Shop Manual purchase options [www.motorcraftservice.com](http://www.motorcraftservice.com)

NO PART OF THIS DOCUMENT MAY BE REPRODUCED WITHOUT PRIOR AGREEMENT AND WRITTEN PERMISSION OF FORD PERFORMANCE PARTS © Ford Motor Company 2020

7. Remove the bolts and the pin-type retainer. *Torque: 28 lb.in (3.2 Nm)*



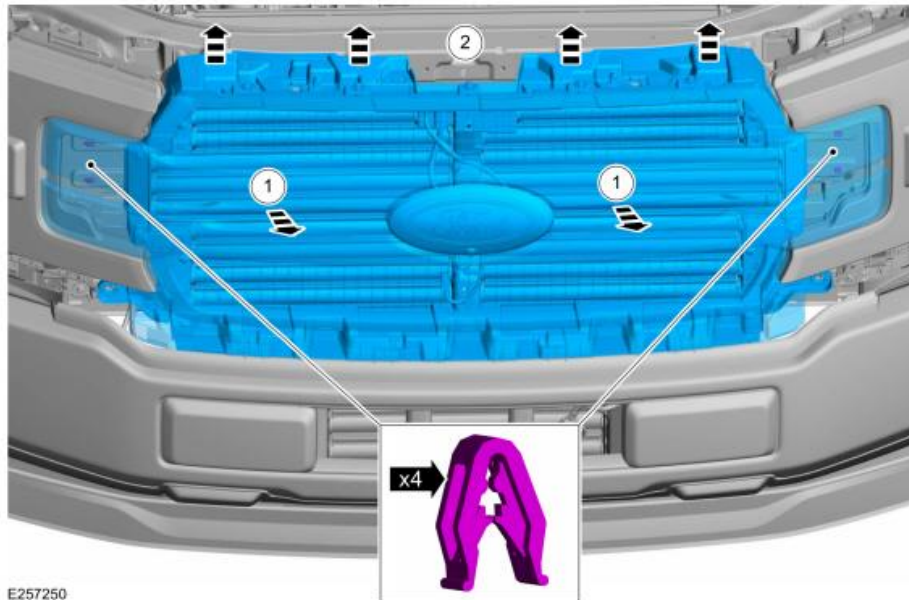
8. Remove the active grille shutter mounting bolts. *Torque: 159 lb.in (18 Nm)*



Ford Factory Shop Manual purchase options [www.motorcraftservice.com](http://www.motorcraftservice.com)

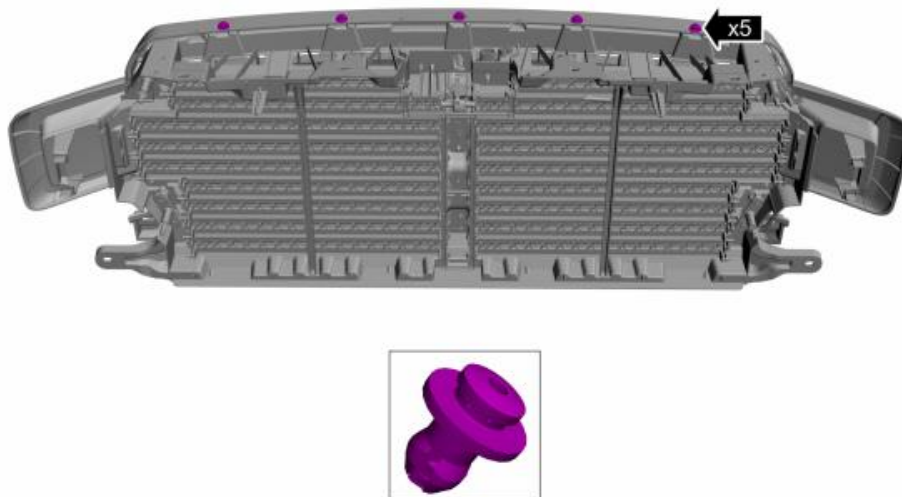
NO PART OF THIS DOCUMENT MAY BE REPRODUCED WITHOUT PRIOR AGREEMENT AND WRITTEN PERMISSION OF FORD PERFORMANCE PARTS © Ford Motor Company 2020

- 9.
- Remove the pin-type retainer.
  - Pull up to disengage the locating pins along the top of the grille.
  - Pull forward on center of the grill to remove.



E257250

10. Remove the push pins.

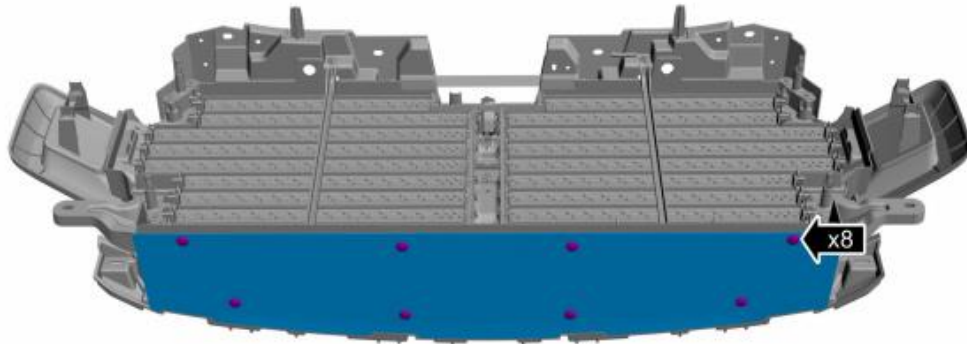


E259402

Ford Factory Shop Manual purchase options [www.motorcraftservice.com](http://www.motorcraftservice.com)

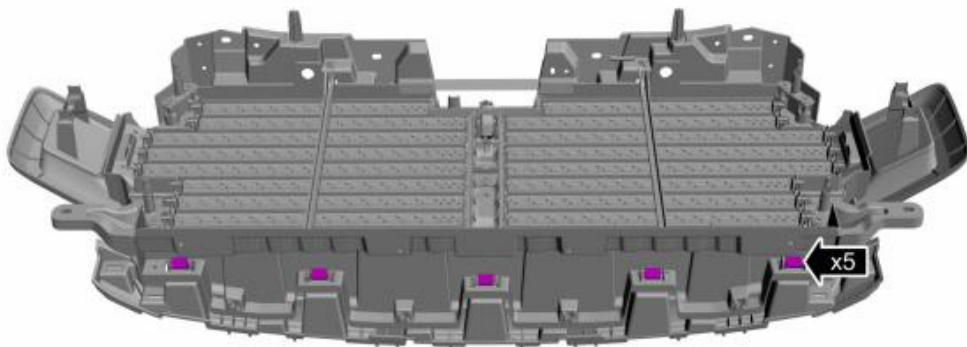
NO PART OF THIS DOCUMENT MAY BE REPRODUCED WITHOUT PRIOR AGREEMENT AND WRITTEN PERMISSION OF FORD PERFORMANCE PARTS © Ford Motor Company 2020

11. Remove the retainers and the deflector.



E261740

12. Remove the clips.



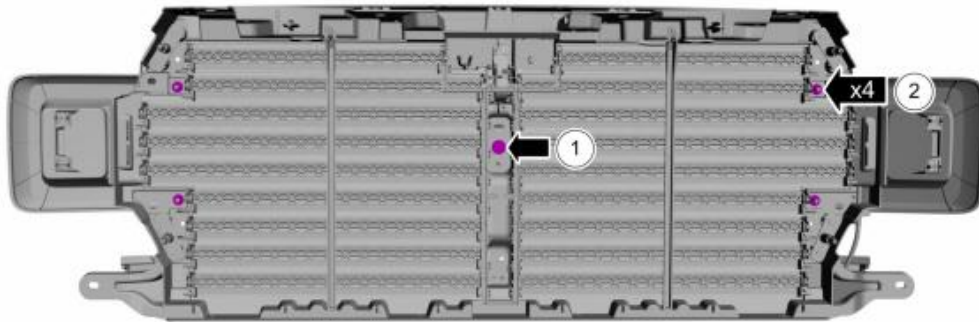
E259403

Ford Factory Shop Manual purchase options [www.motorcraftservice.com](http://www.motorcraftservice.com)



NO PART OF THIS DOCUMENT MAY BE REPRODUCED WITHOUT PRIOR AGREEMENT AND WRITTEN PERMISSION OF FORD PERFORMANCE PARTS © Ford Motor Company 2020

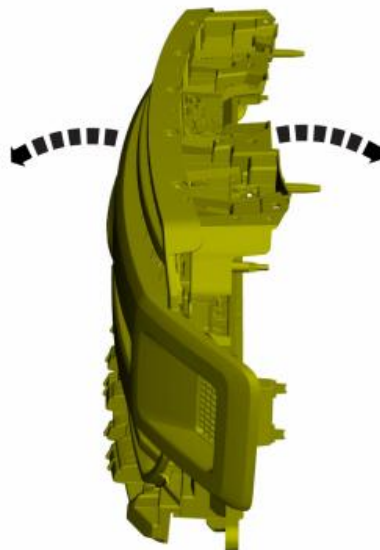
13. Remove the screw and the nuts. *Torque:* 1: 22 lb.in (2.5 Nm) 2: 44 lb.in (5 Nm)



E259404

14. **NOTE:** *If equipped with front camera, disconnect the camera and the washer hose.*

Separate the active grille shutter from the radiator grille.



E259405

Ford Factory Shop Manual purchase options [www.motorcraftservice.com](http://www.motorcraftservice.com)

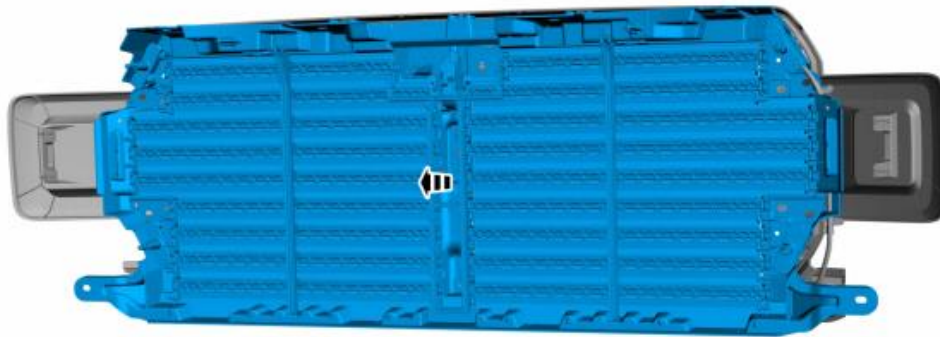


FORD PERFORMANCE

M-1447-F15B  
2018-2022MY F-150  
Black Ovals Without Camera Provision Kit

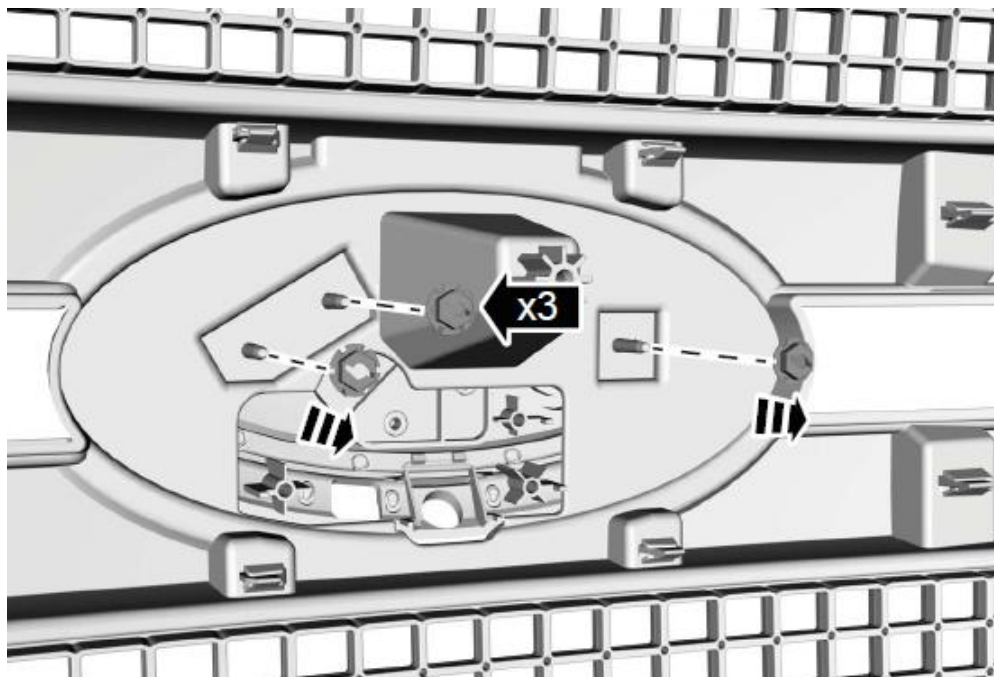
NO PART OF THIS DOCUMENT MAY BE REPRODUCED WITHOUT PRIOR AGREEMENT AND WRITTEN PERMISSION OF FORD PERFORMANCE PARTS © Ford Motor Company 2020

15. Remove the upper active grille shutter.



E259406

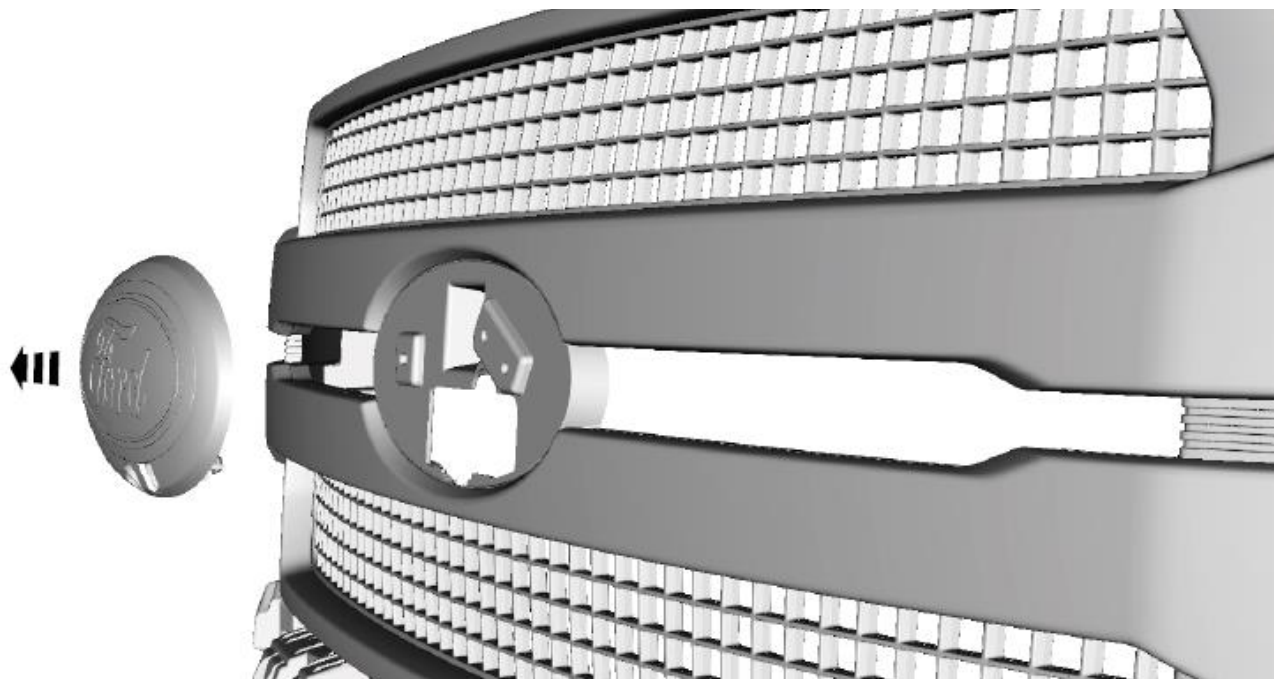
16. Remove screws from the oval.



Ford Factory Shop Manual purchase options [www.motorcraftservice.com](http://www.motorcraftservice.com)

NO PART OF THIS DOCUMENT MAY BE REPRODUCED WITHOUT PRIOR AGREEMENT AND WRITTEN PERMISSION OF FORD PERFORMANCE PARTS © Ford Motor Company 2020

17. Remove oval.




Ford Factory Shop Manual purchase options [www.motorcraftservice.com](http://www.motorcraftservice.com)

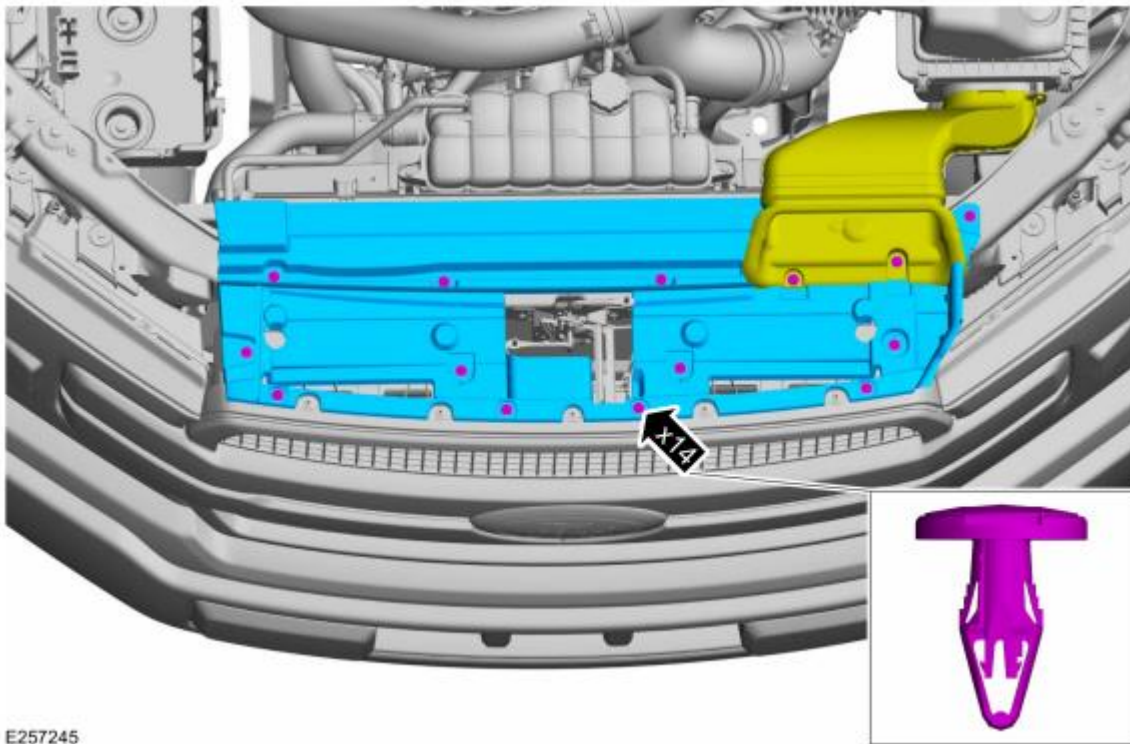
NO PART OF THIS DOCUMENT MAY BE REPRODUCED WITHOUT PRIOR AGREEMENT AND WRITTEN PERMISSION OF FORD PERFORMANCE PARTS © Ford Motor Company 2020

### 2021-2022MY Removal – Grille Oval

**NOTE:** Removal steps in this procedure may contain installation details.

 Extreme cold weather will cause breakage. A hair dryer can be used to localize warmth before flexing release tabs.

1. Remove the push pin retainers, position aside the air intake duct, and remove the air deflector.

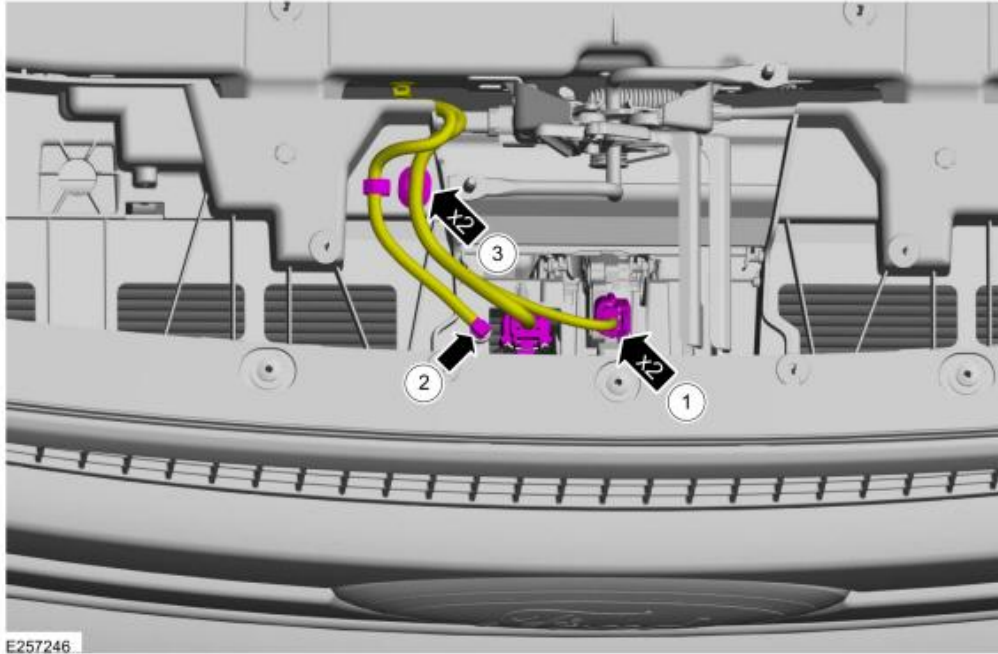


E257245

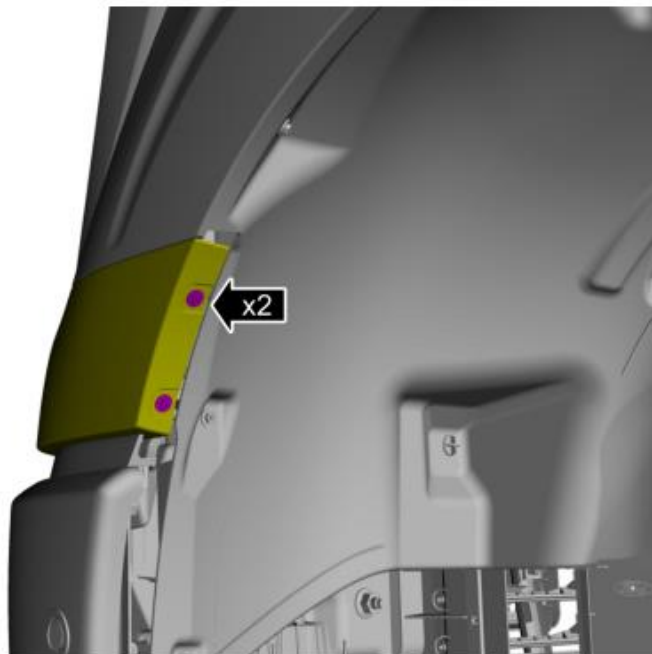
Ford Factory Shop Manual purchase options [www.motorcraftservice.com](http://www.motorcraftservice.com)

NO PART OF THIS DOCUMENT MAY BE REPRODUCED WITHOUT PRIOR AGREEMENT AND WRITTEN PERMISSION OF FORD PERFORMANCE PARTS © Ford Motor Company 2020

2. **If equipped**, Disconnect the electrical connectors and washer hose.



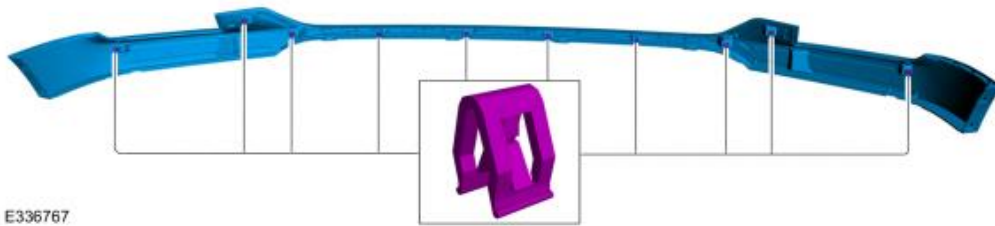
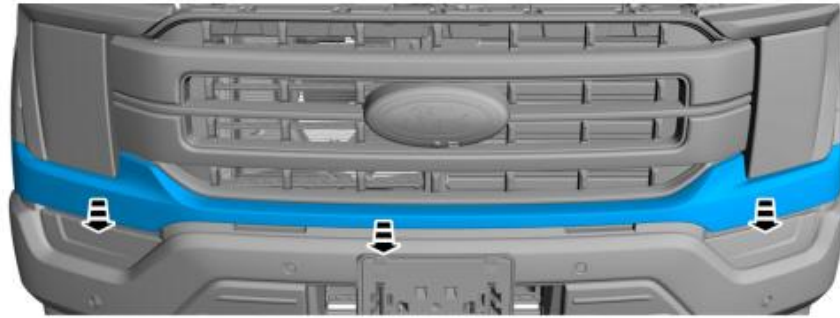
3. On both sides, remove the 2 screws. *Torque: 15 lb.in (1.7 Nm)*



Ford Factory Shop Manual purchase options [www.motorcraftservice.com](http://www.motorcraftservice.com)

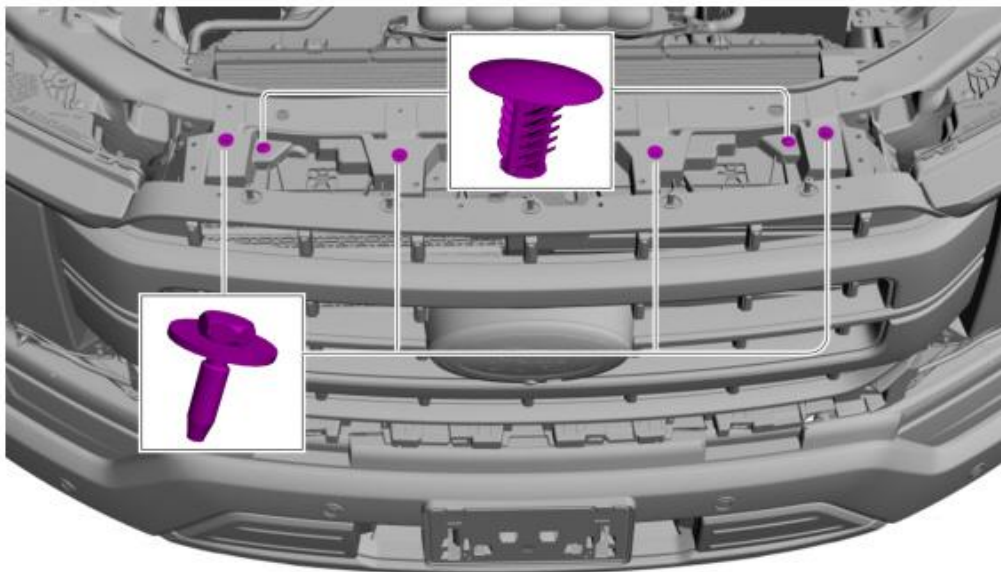
NO PART OF THIS DOCUMENT MAY BE REPRODUCED WITHOUT PRIOR AGREEMENT AND WRITTEN PERMISSION OF FORD PERFORMANCE PARTS © Ford Motor Company 2020

4. Remove the front bumper upper cover trim panel using a flat-blade screwdriver to release the locking tabs.



E336767

5. Remove the bolts and the pin-type retainer. *Torque: 36 lb.in (4.1 Nm)*

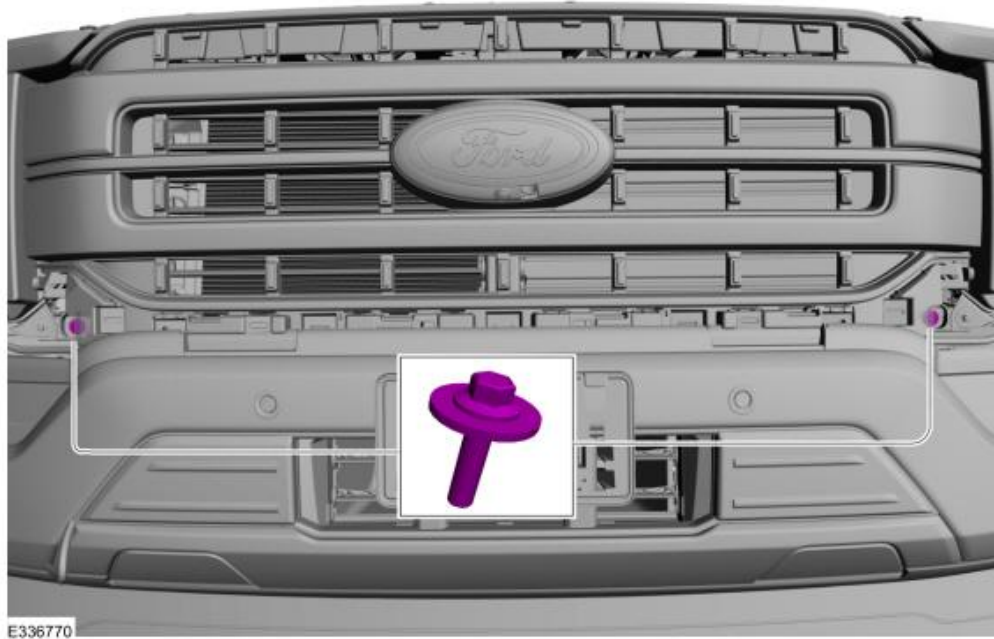


E336769

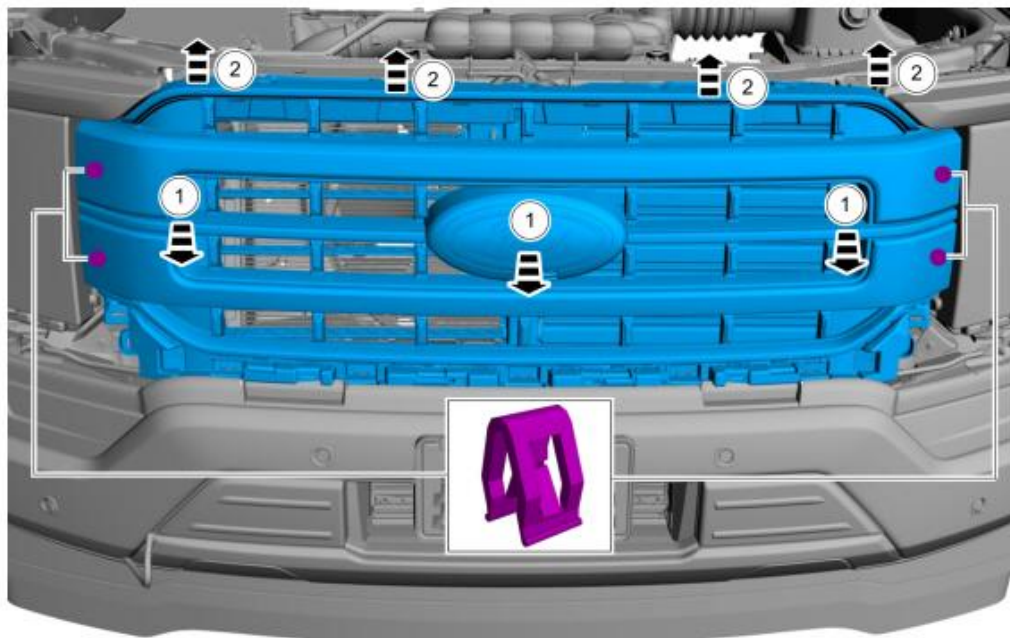
Ford Factory Shop Manual purchase options [www.motorcraftservice.com](http://www.motorcraftservice.com)

NO PART OF THIS DOCUMENT MAY BE REPRODUCED WITHOUT PRIOR AGREEMENT AND WRITTEN PERMISSION OF FORD PERFORMANCE PARTS © Ford Motor Company 2020

6. Remove the active grille shutter mounting bolts. *Torque:* 159 lb.in (18 Nm)



7. Remove the pin-type retainer. Pull up to disengage the locating pins along the top of the grille. Pull forward on center of the grille to remove.

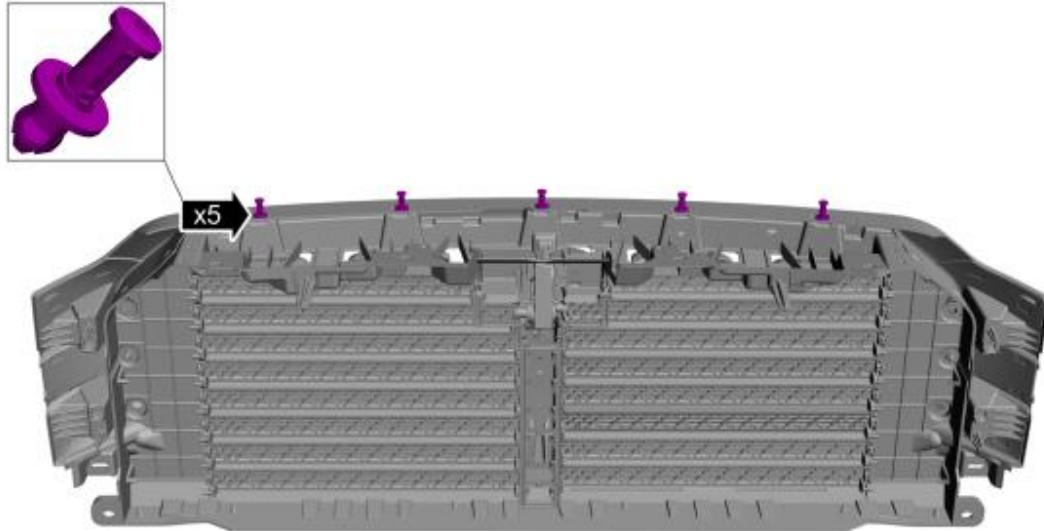


Ford Factory Shop Manual purchase options [www.motorcraftservice.com](http://www.motorcraftservice.com)

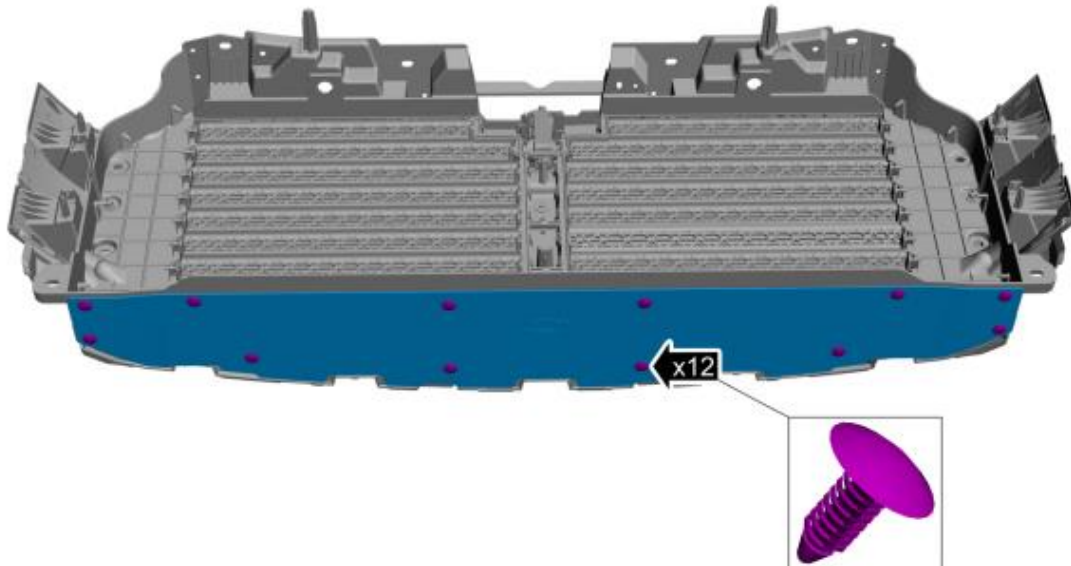
NO PART OF THIS DOCUMENT MAY BE REPRODUCED WITHOUT PRIOR AGREEMENT AND WRITTEN PERMISSION OF FORD PERFORMANCE PARTS © Ford Motor Company 2020

### Upper Active Grille Shutter Removal

1. Remove the push pins.



2. Remove the retainers and the deflector.



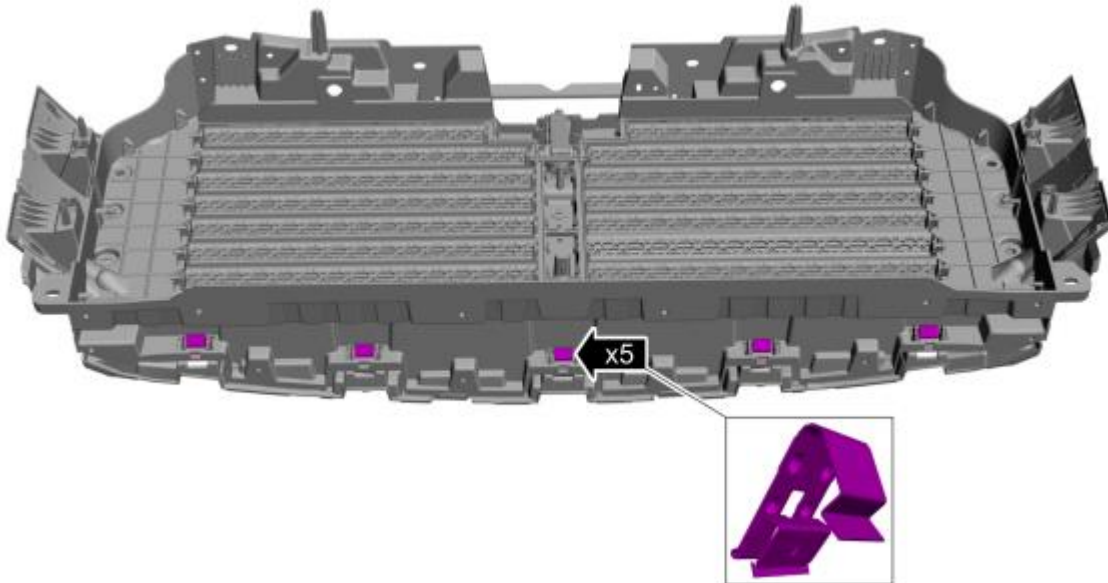
E337657

Ford Factory Shop Manual purchase options [www.motorcraftservice.com](http://www.motorcraftservice.com)



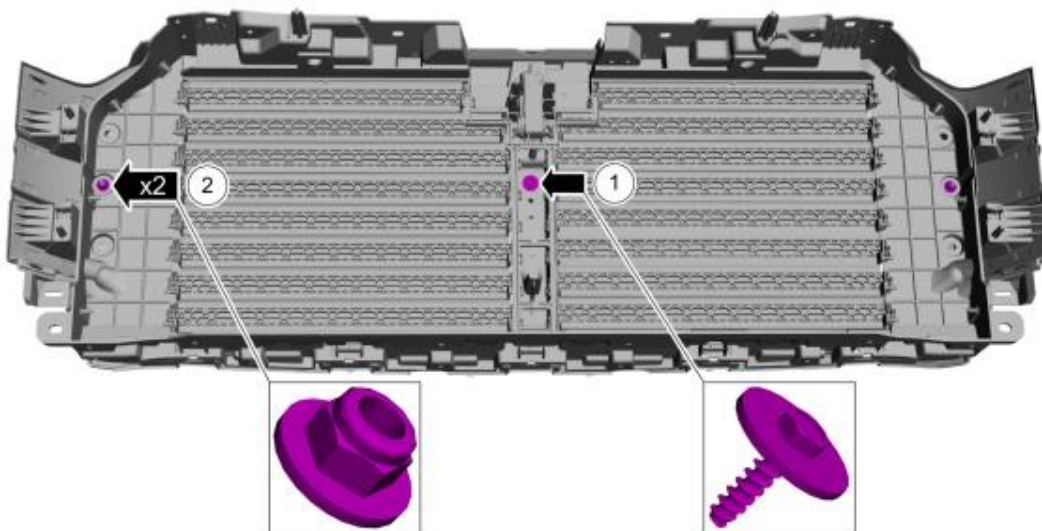
NO PART OF THIS DOCUMENT MAY BE REPRODUCED WITHOUT PRIOR AGREEMENT AND WRITTEN PERMISSION OF FORD PERFORMANCE PARTS © Ford Motor Company 2020

3. Remove the clips.



E337658

4. Remove the screw and the nuts. *Torque:* 1: 22 lb.in (2.5 Nm) 2: 44 lb.in (5 Nm)

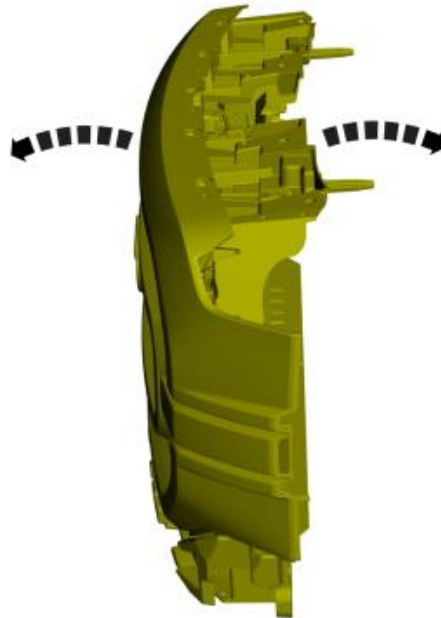


E337659

Ford Factory Shop Manual purchase options [www.motorcraftservice.com](http://www.motorcraftservice.com)

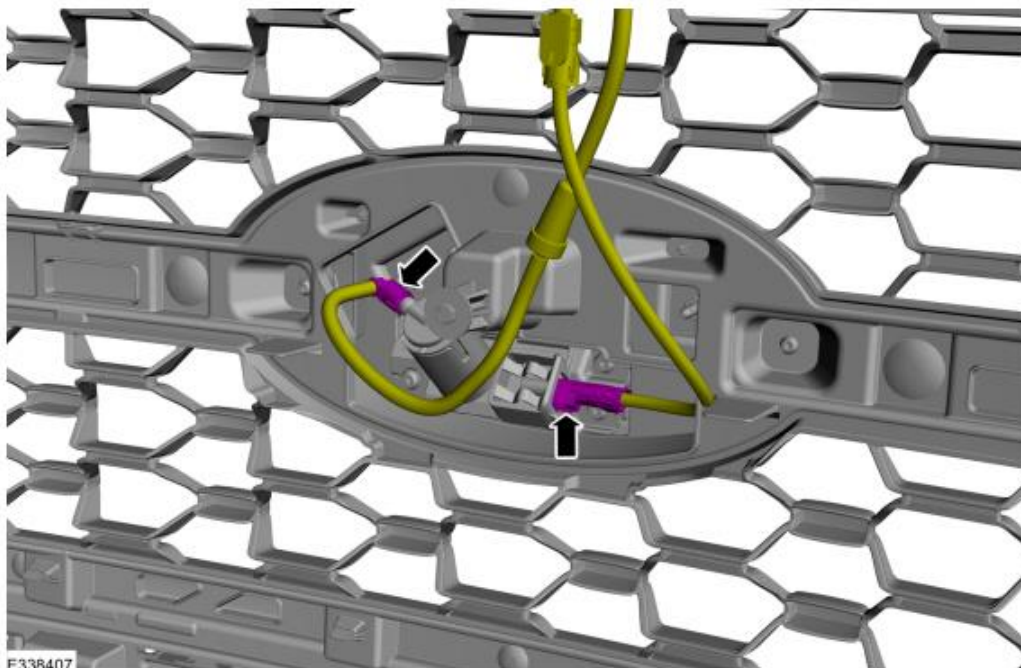
NO PART OF THIS DOCUMENT MAY BE REPRODUCED WITHOUT PRIOR AGREEMENT AND WRITTEN PERMISSION OF FORD PERFORMANCE PARTS © Ford Motor Company 2020

5. Separate the active grille shutter from the radiator grille.



E337660

6. **NOTE:** *If equipped with front camera.* Disconnect the electrical connector and the washer hose.



E338407

Ford Factory Shop Manual purchase options [www.motorcraftservice.com](http://www.motorcraftservice.com)

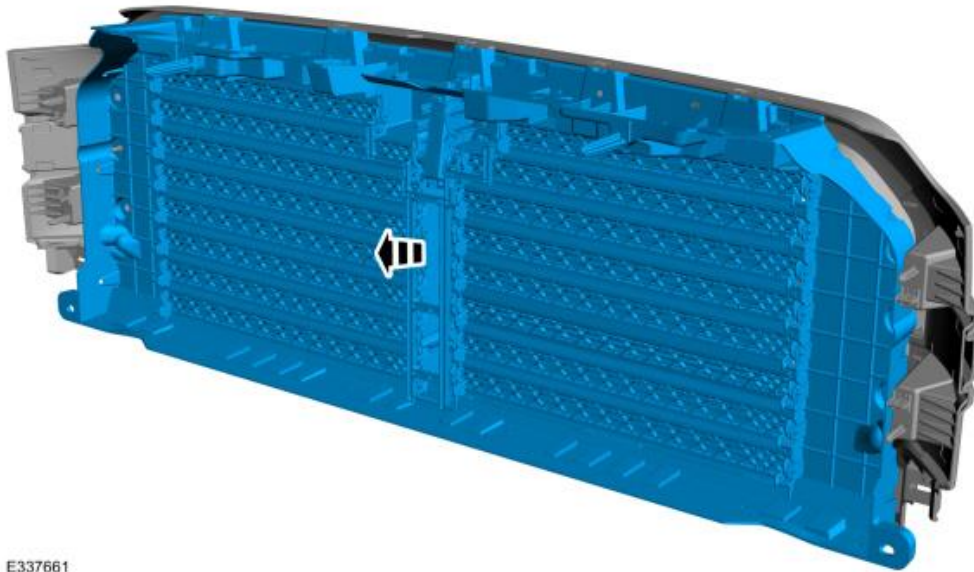


FORD PERFORMANCE

M-1447-F15B  
2018-2022MY F-150  
Black Ovals Without Camera Provision Kit

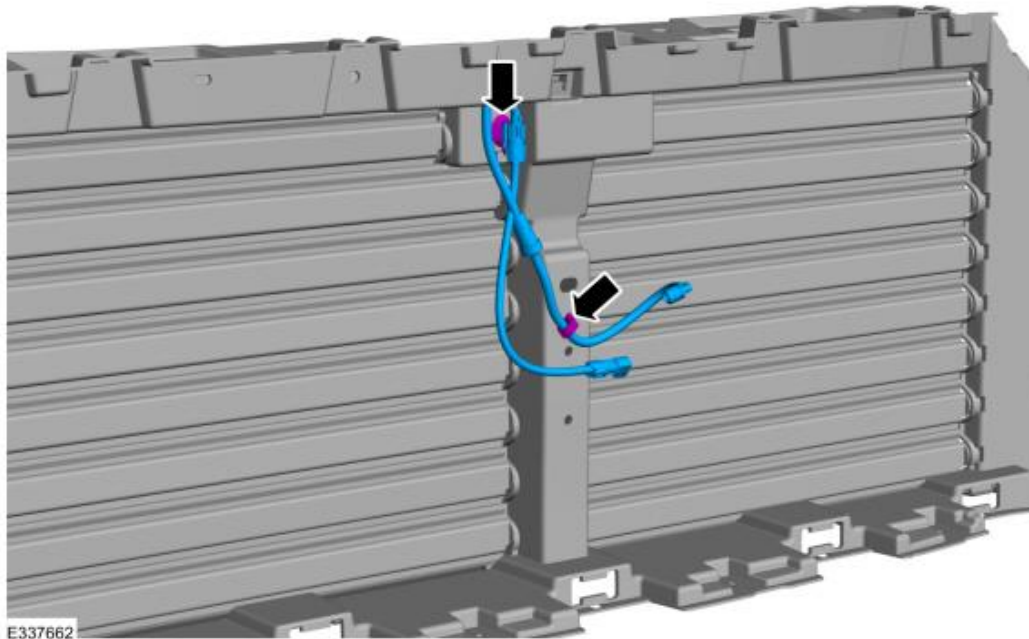
NO PART OF THIS DOCUMENT MAY BE REPRODUCED WITHOUT PRIOR AGREEMENT AND WRITTEN PERMISSION OF FORD PERFORMANCE PARTS © Ford Motor Company 2020

7. Remove the upper active grille shutter.



E337661

8. If equipped, remove the pin-type retainers and the wire harness.



E337662

Ford Factory Shop Manual purchase options [www.motorcraftservice.com](http://www.motorcraftservice.com)



FORD PERFORMANCE

M-1447-F15B  
2018-2022MY F-150  
Black Ovals Without Camera Provision Kit

NO PART OF THIS DOCUMENT MAY BE REPRODUCED WITHOUT PRIOR AGREEMENT AND WRITTEN PERMISSION OF FORD PERFORMANCE PARTS © Ford Motor Company 2020

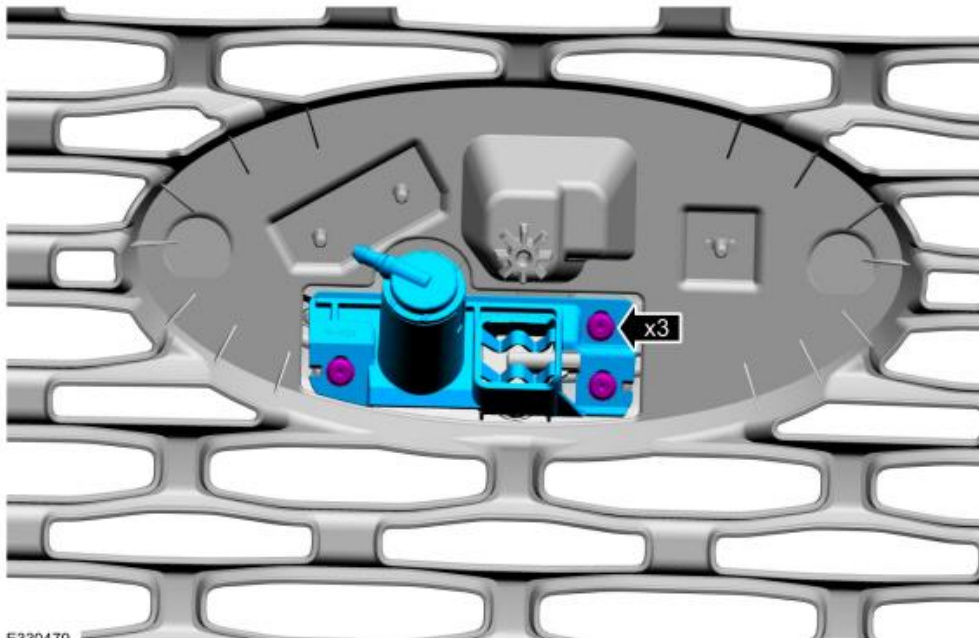
**Grille Oval Removal**

**NOTE:** Removal steps in this procedure may contain installation details.

1. If equipped, extend the front camera washer nozzle door, release the tabs and remove the washer nozzle door.



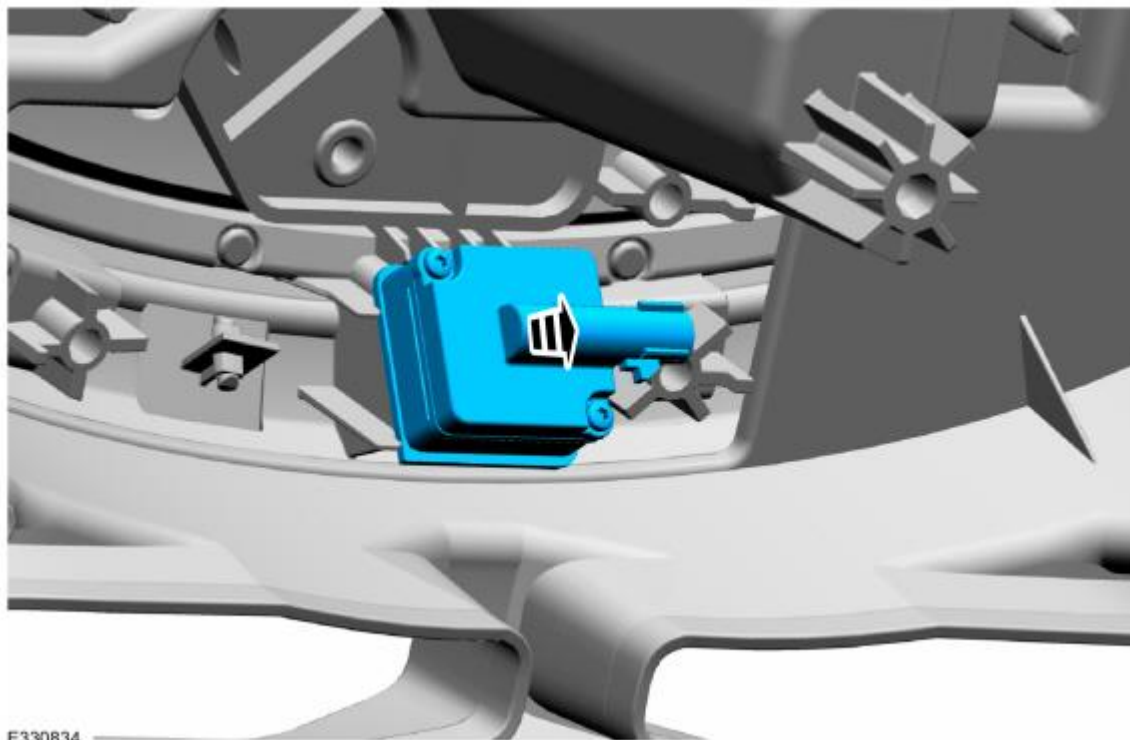
2. Remove the screws and the front camera washer and bracket as an assembly.



Ford Factory Shop Manual purchase options [www.motorcraftservice.com](http://www.motorcraftservice.com)

NO PART OF THIS DOCUMENT MAY BE REPRODUCED WITHOUT PRIOR AGREEMENT AND WRITTEN PERMISSION OF  
FORD PERFORMANCE PARTS © Ford Motor Company 2020

3. Remove the front parking aid camera and oval.



### Installation

1. To install, reverse the removal procedure.

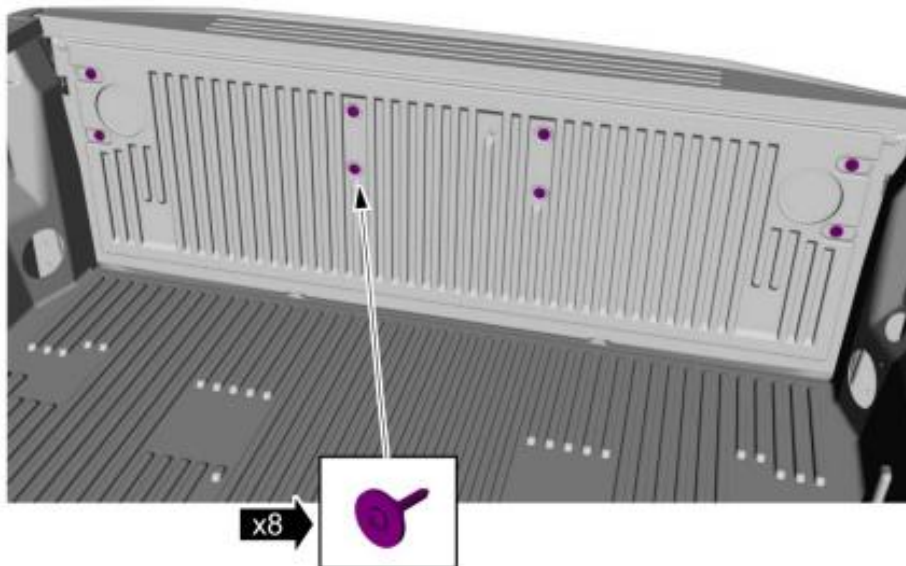
Ford Factory Shop Manual purchase options [www.motorcraftservice.com](http://www.motorcraftservice.com)

NO PART OF THIS DOCUMENT MAY BE REPRODUCED WITHOUT PRIOR AGREEMENT AND WRITTEN PERMISSION OF FORD PERFORMANCE PARTS © Ford Motor Company 2020

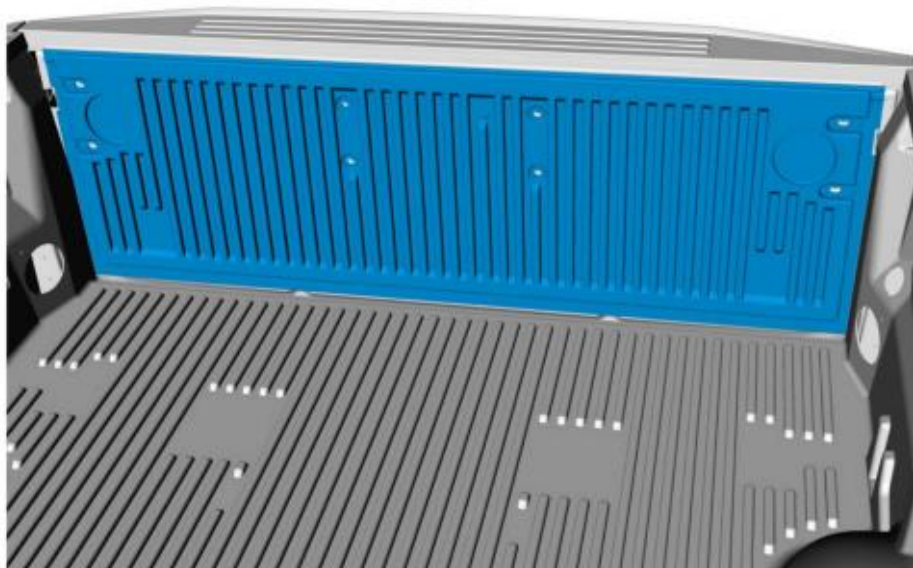
### Removal – Tailgate Oval

**NOTE:** Removal steps in this procedure may contain installation details.

1. Remove the screws from the tailgate liner. *Torque:* 28 lb.in (3.2 Nm)



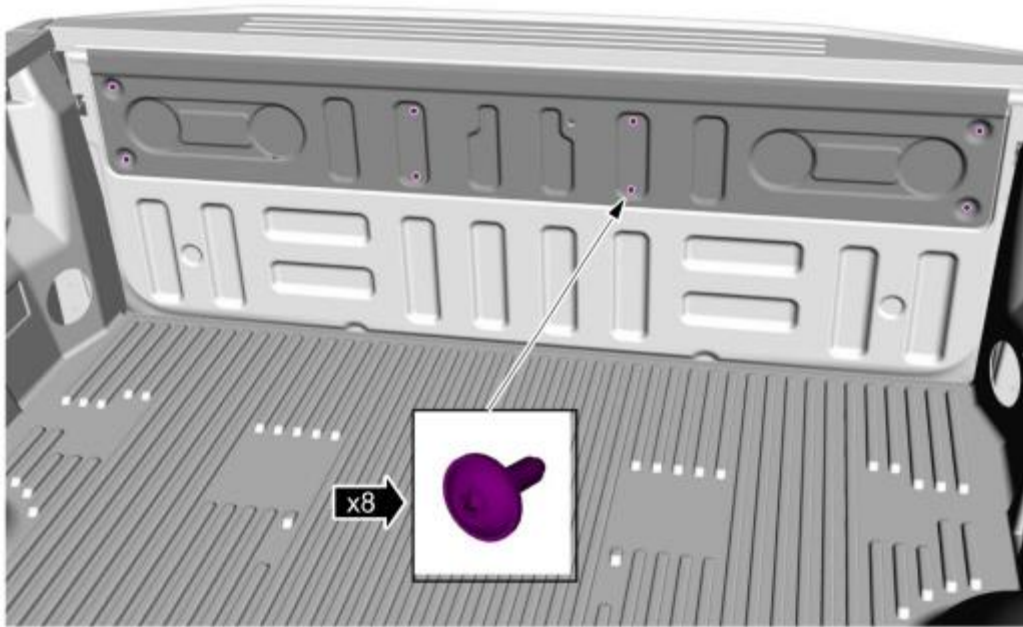
2. Remove the tailgate liner.



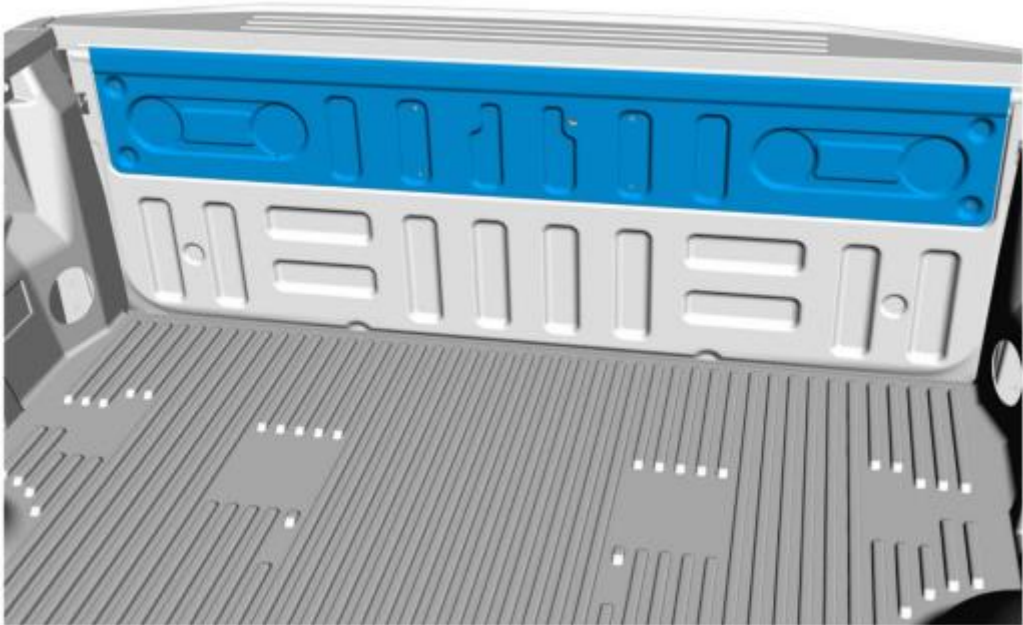
Ford Factory Shop Manual purchase options [www.motorcraftservice.com](http://www.motorcraftservice.com)

NO PART OF THIS DOCUMENT MAY BE REPRODUCED WITHOUT PRIOR AGREEMENT AND WRITTEN PERMISSION OF FORD PERFORMANCE PARTS © Ford Motor Company 2020

3. Remove the screws from the inner panel. *Torque: 28 lb.in (3.2 Nm)*



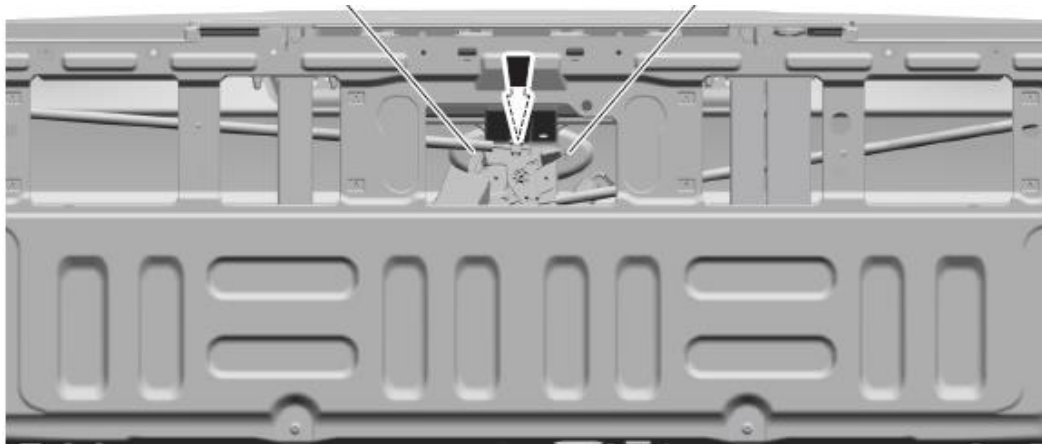
4. Remove the inner panel.



Ford Factory Shop Manual purchase options [www.motorcraftservice.com](http://www.motorcraftservice.com)

NO PART OF THIS DOCUMENT MAY BE REPRODUCED WITHOUT PRIOR AGREEMENT AND WRITTEN PERMISSION OF FORD PERFORMANCE PARTS © Ford Motor Company 2020

5. Use pliers to undo clips on the rear of the oval and remove from the tailgate.



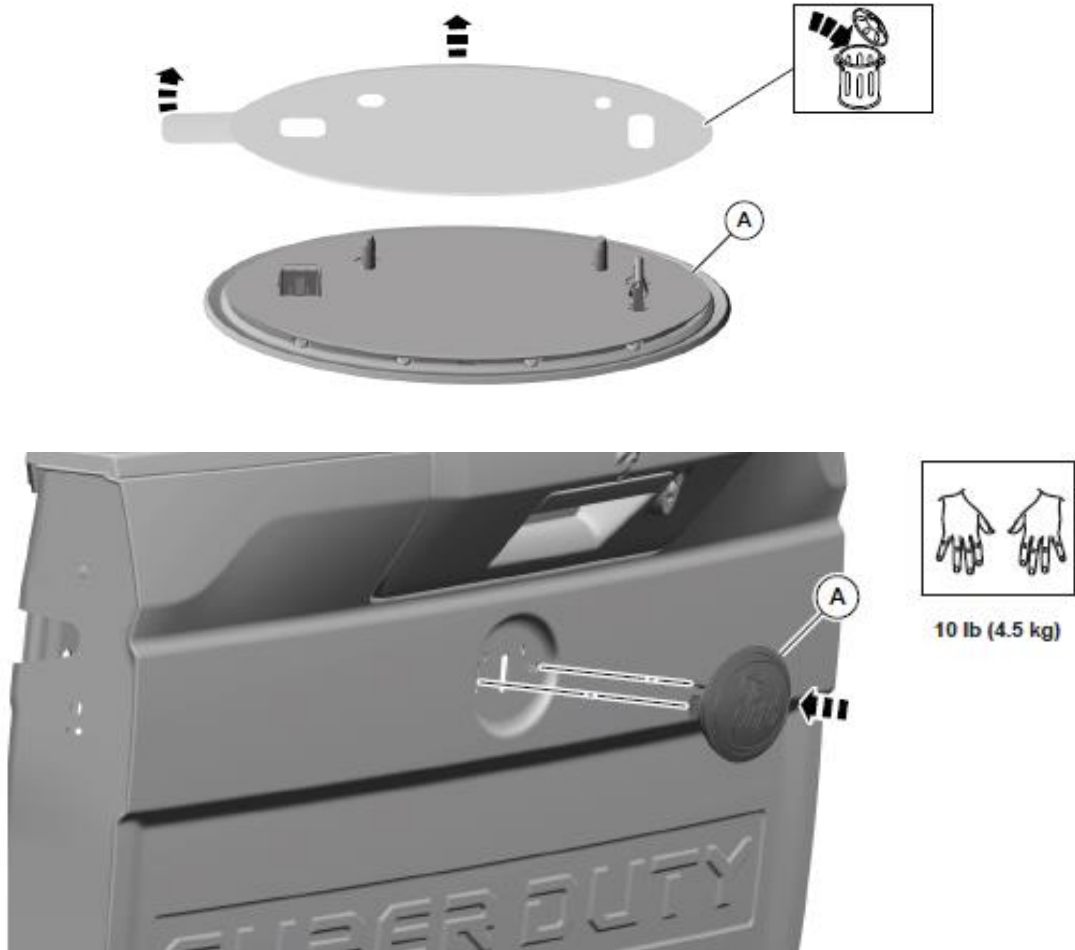
Ford Factory Shop Manual purchase options [www.motorcraftservice.com](http://www.motorcraftservice.com)



NO PART OF THIS DOCUMENT MAY BE REPRODUCED WITHOUT PRIOR AGREEMENT AND WRITTEN PERMISSION OF FORD PERFORMANCE PARTS © Ford Motor Company 2020

### Installation – Tailgate Oval

1. To install the new oval, remove the adhesive backing and firmly press onto the tailgate.



Ford Factory Shop Manual purchase options [www.motorcraftservice.com](http://www.motorcraftservice.com)