



FORD PERFORMANCE

M-3075-F 2015-2017 Mustang Front Lower Control Arm Kit

NO PART OF THIS DOCUMENT MAY BE REPRODUCED WITHOUT PRIOR AGREEMENT AND WRITTEN PERMISSION OF FORD PERFORMANCE PARTS


Please visit www.performanceparts.ford.com for the most current instruction and warranty information.

PLEASE READ ALL OF THE FOLLOWING INSTRUCTIONS CAREFULLY PRIOR TO INSTALLATION. AT ANY TIME YOU DO NOT UNDERSTAND THE INSTRUCTIONS, PLEASE CALL THE FORD PERFORMANCE TECHLINE AT 1-800-367-3788

- 1ea Control arm, RH rearward
- 1ea Control arm, RH frontward
- 1ea Control arm, LH rearward
- 1ea Control arm, LH frontward
- 4ea Nut, ball joint
- 2ea Bolt, forward control arm (117mm long)
- 2ea Bolt, rearward control arm (92mm long)

Frontward Lower Arm removal

Special Tool(s) / General Equipment

	204-592 Separator, Lower Arm Ball Joint
Vehicle/Axle Stands	

Removal

NOTICE: Suspension fasteners are critical parts that affect the performance of vital components and systems. Failure of these fasteners may result in major service expense. Use the same or equivalent parts if replacement is necessary. Do not use a replacement part of lesser quality or substitute design. Tighten fasteners as specified.

Remove the wheel and tire.

NOTICE: The front suspension height sensor must be disconnected from the lower control arm prior to servicing suspension components or damage to the suspension height sensor and/or the

Factory Ford shop manuals are available from Helm Publications, 1-800-782-4356



FORD PERFORMANCE

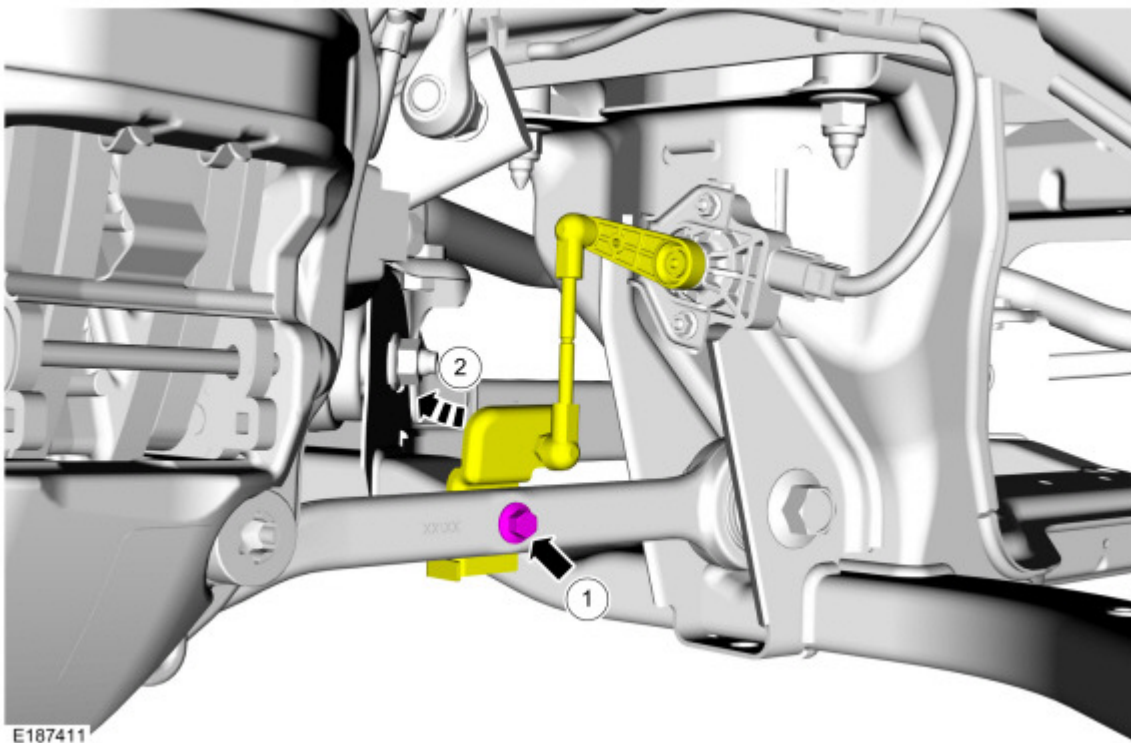
M-3075-F 2015-2017 Mustang Front Lower Control Arm Kit

NO PART OF THIS DOCUMENT MAY BE REPRODUCED WITHOUT PRIOR AGREEMENT AND WRITTEN PERMISSION OF FORD PERFORMANCE PARTS

vehicle dynamic suspension system may occur. The sensor will need to be recalibrated after reassembly.

NOTE: *If equipped with dynamic suspension.*

1. Remove the ride height sensor arm bracket bolt.
2. Position the ride height sensor arm bracket aside.



Factory Ford shop manuals are available from Helm Publications, 1-800-782-4356



FORD PERFORMANCE

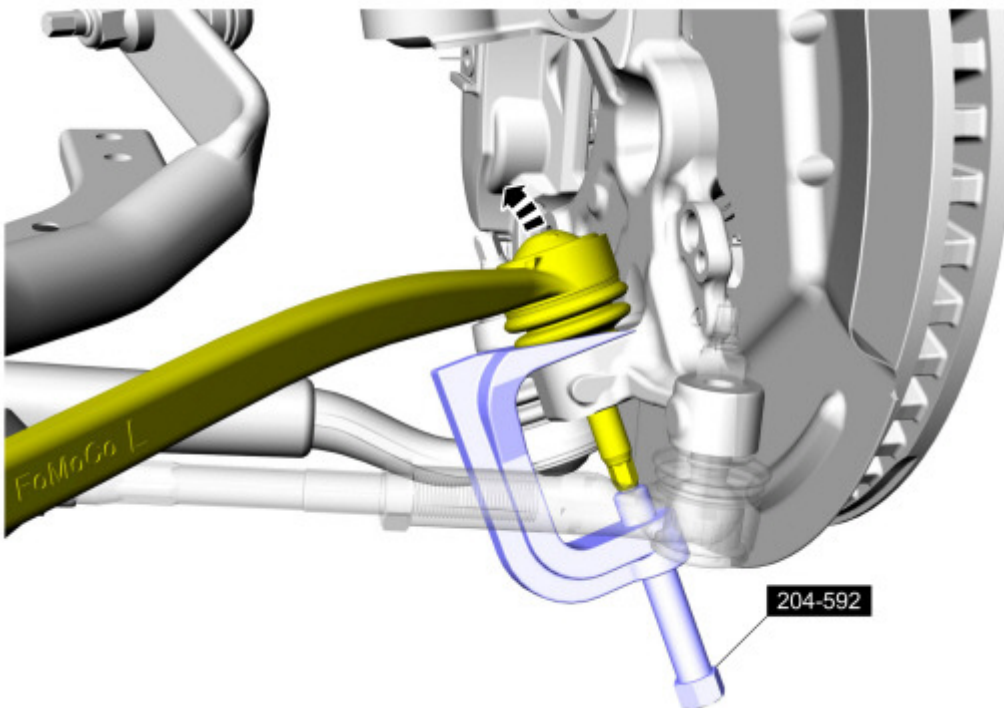
M-3075-F 2015-2017 Mustang Front Lower Control Arm Kit

NO PART OF THIS DOCUMENT MAY BE REPRODUCED WITHOUT PRIOR AGREEMENT AND WRITTEN PERMISSION OF FORD PERFORMANCE PARTS

NOTICE: Do not use a prying device or separator fork between the ball joint and the wheel knuckle. Damage to the ball joint or ball joint seal may result. Only use the pry bar by inserting it into the lower arm body opening.

NOTICE: Use care when releasing the lower arm and wheel knuckle into the resting position or damage to the ball joint seal may occur.

Separate the front lower arm from the wheel spindle.



E187378

Factory Ford shop manuals are available from Helm Publications, 1-800-782-4356

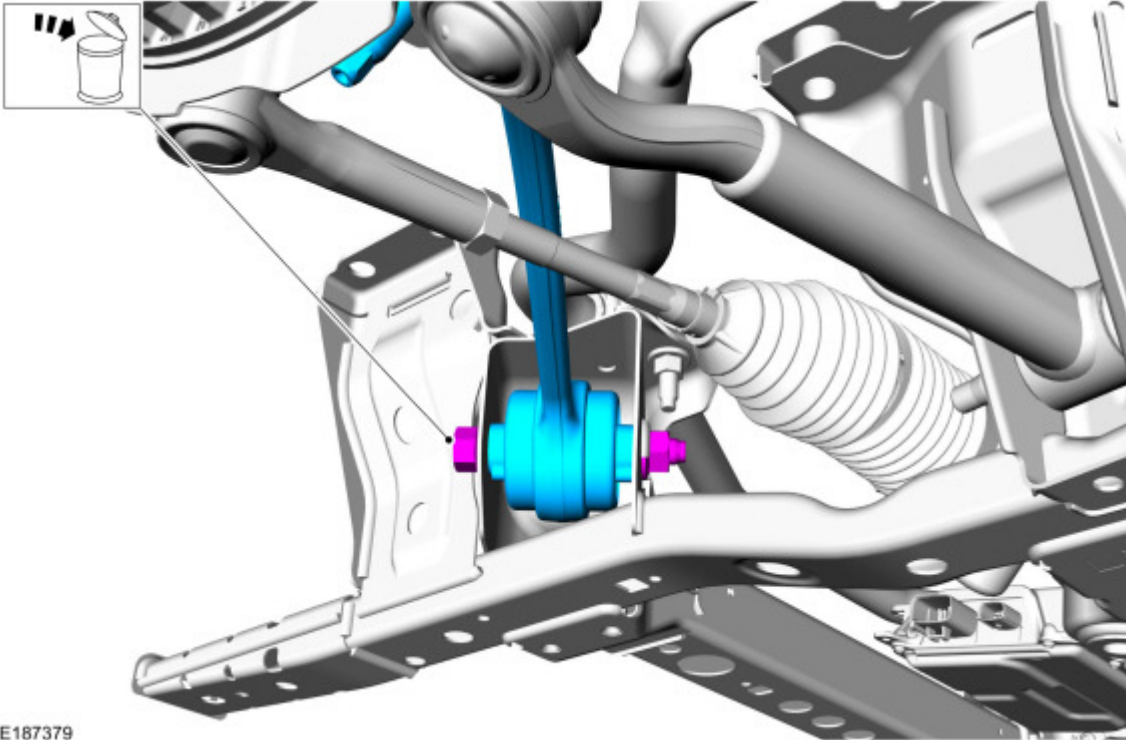


FORD PERFORMANCE

M-3075-F 2015-2017 Mustang Front Lower Control Arm Kit

NO PART OF THIS DOCUMENT MAY BE REPRODUCED WITHOUT PRIOR AGREEMENT AND WRITTEN PERMISSION OF FORD PERFORMANCE PARTS

Remove and discard the front lower arm-to-frame bolt and remove the front lower arm.



E187379

Factory Ford shop manuals are available from Helm Publications, 1-800-782-4356



FORD PERFORMANCE

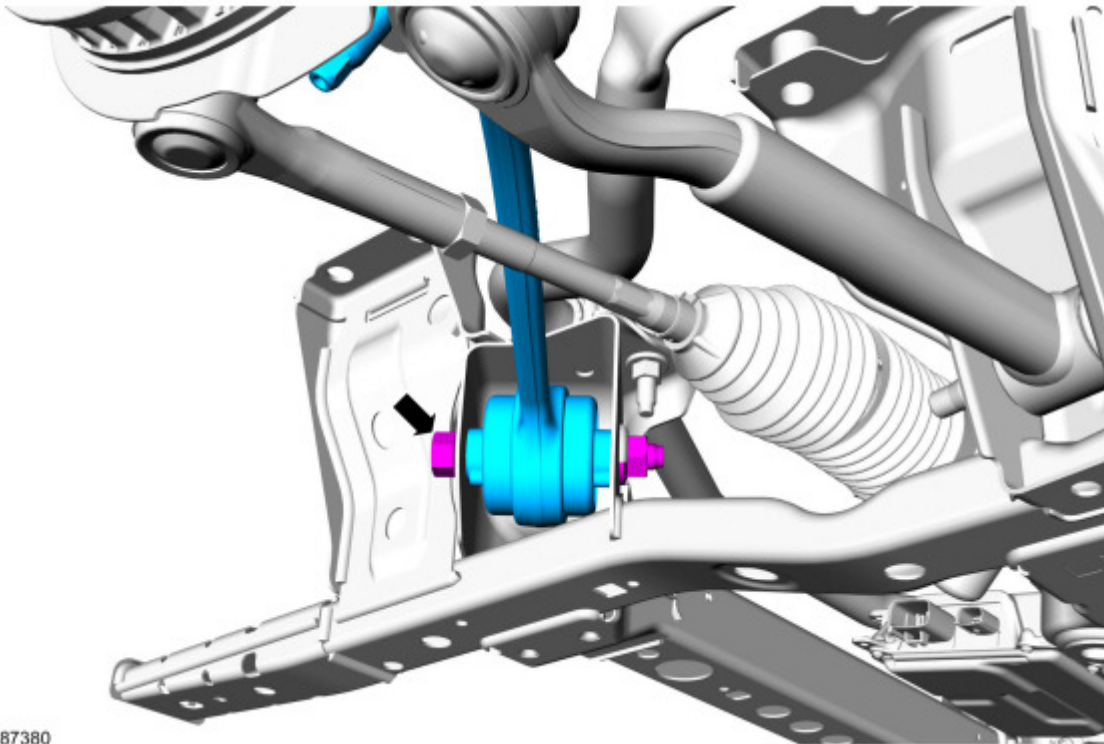
M-3075-F 2015-2017 Mustang Front Lower Control Arm Kit

NO PART OF THIS DOCUMENT MAY BE REPRODUCED WITHOUT PRIOR AGREEMENT AND WRITTEN PERMISSION OF FORD PERFORMANCE PARTS

Installation

NOTE: *Only tighten the bolt finger tight at this stage.*

Position the front lower arm and install the new front lower arm-to-frame bolt.



E187380

Factory Ford shop manuals are available from Helm Publications, 1-800-782-4356

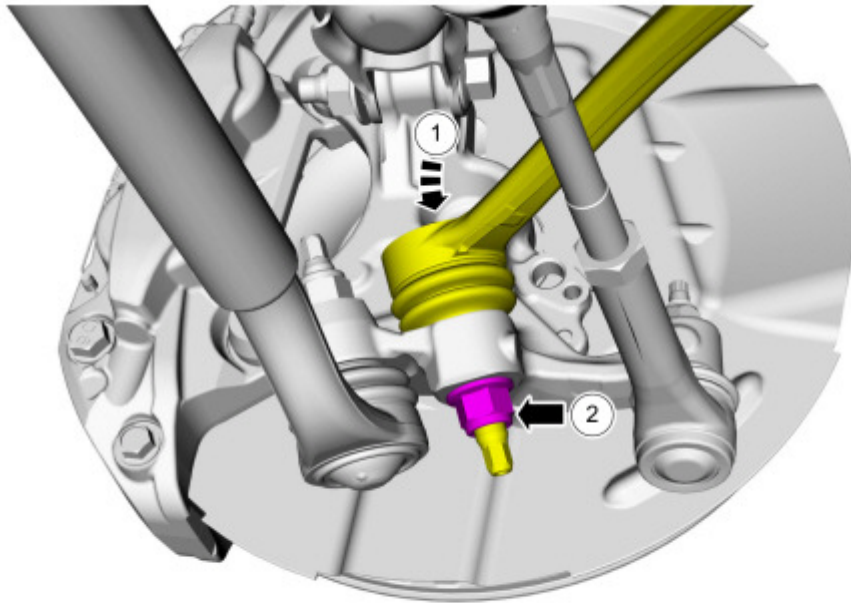


FORD PERFORMANCE

M-3075-F 2015-2017 Mustang Front Lower Control Arm Kit

NO PART OF THIS DOCUMENT MAY BE REPRODUCED WITHOUT PRIOR AGREEMENT AND WRITTEN PERMISSION OF FORD PERFORMANCE PARTS

1. Attach the front lower arm to the wheel spindle.
2. Install the new front lower arm outboard nut.
Torque:
Non SVT: 85 lb.ft (115 Nm)



E187381

Factory Ford shop manuals are available from Helm Publications, 1-800-782-4356



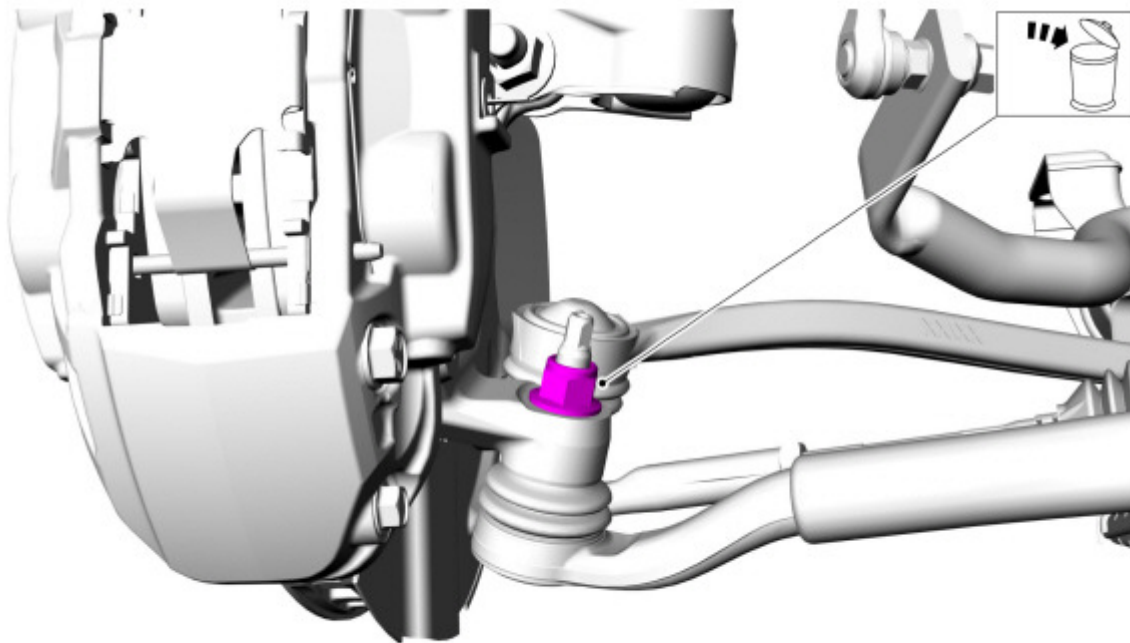
FORD PERFORMANCE

M-3075-F 2015-2017 Mustang Front Lower Control Arm Kit

NO PART OF THIS DOCUMENT MAY BE REPRODUCED WITHOUT PRIOR AGREEMENT AND WRITTEN PERMISSION OF FORD PERFORMANCE PARTS

Rearward Lower Control Arm removal

Remove and discard the rear lower arm outboard nut.



E187434

Factory Ford shop manuals are available from Helm Publications, 1-800-782-4356



FORD PERFORMANCE

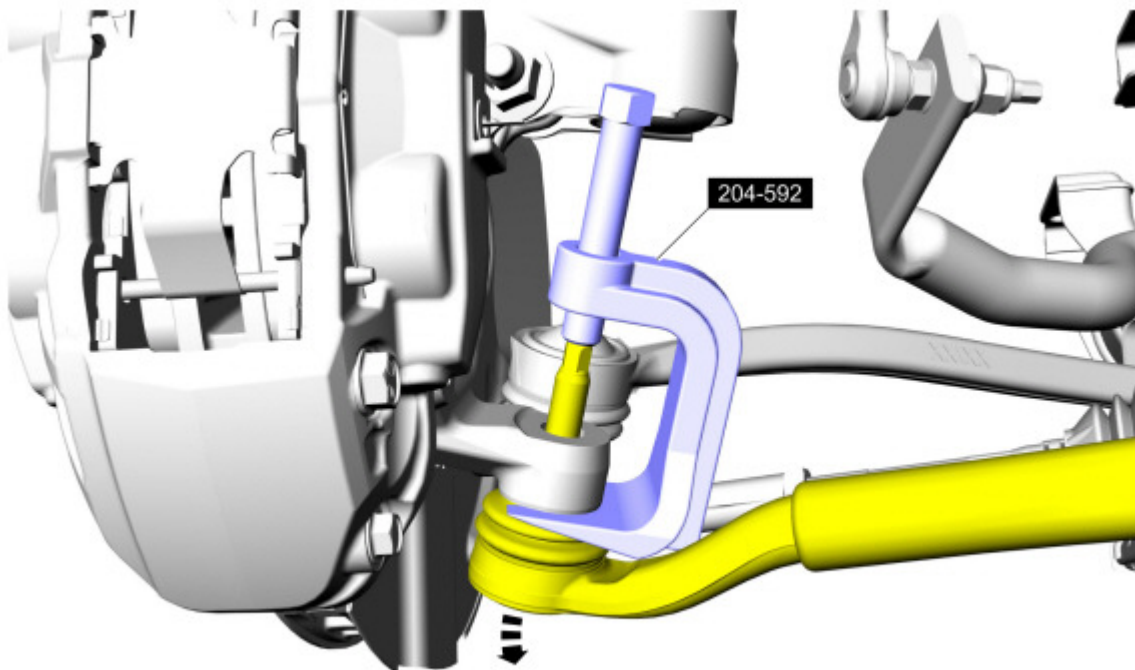
M-3075-F 2015-2017 Mustang Front Lower Control Arm Kit

NO PART OF THIS DOCUMENT MAY BE REPRODUCED WITHOUT PRIOR AGREEMENT AND WRITTEN PERMISSION OF FORD PERFORMANCE PARTS

NOTICE: Do not use a prying device or separator fork between the ball joint and the wheel knuckle. Damage to the ball joint or ball joint seal may result. Only use the pry bar by inserting it into the lower arm body opening.

NOTICE: Use care when releasing the lower arm and wheel knuckle into the resting position or damage to the ball joint seal may occur.

Separate the rear lower arm from the wheel spindle.



E187435

Factory Ford shop manuals are available from Helm Publications, 1-800-782-4356

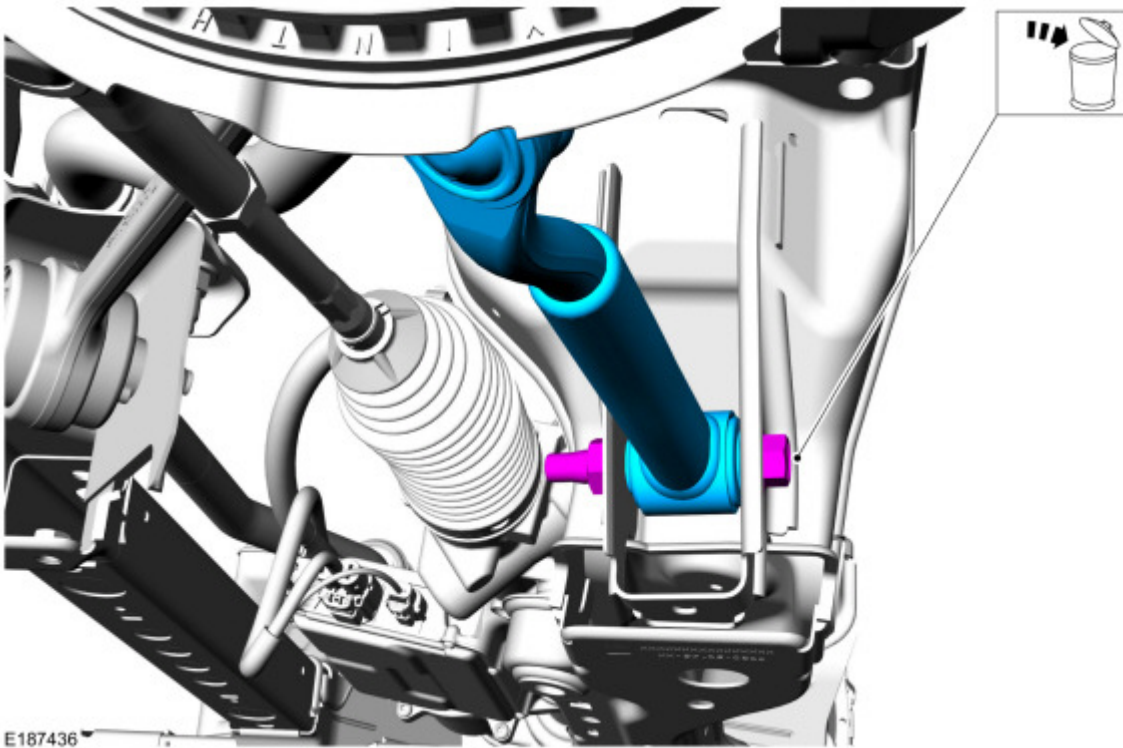


FORD PERFORMANCE

M-3075-F 2015-2017 Mustang Front Lower Control Arm Kit

NO PART OF THIS DOCUMENT MAY BE REPRODUCED WITHOUT PRIOR AGREEMENT AND WRITTEN PERMISSION OF FORD PERFORMANCE PARTS

Remove and discard the rear lower arm-to-frame bolt and remove the rear lower arm.



Factory Ford shop manuals are available from Helm Publications, 1-800-782-4356



FORD PERFORMANCE

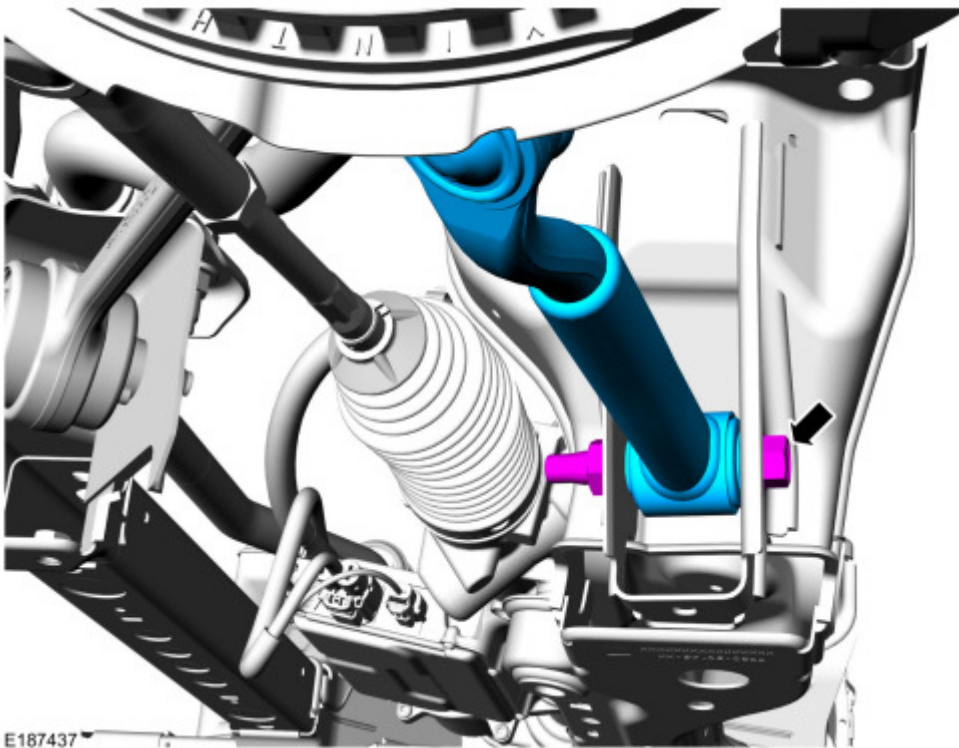
M-3075-F 2015-2017 Mustang Front Lower Control Arm Kit

NO PART OF THIS DOCUMENT MAY BE REPRODUCED WITHOUT PRIOR AGREEMENT AND WRITTEN PERMISSION OF FORD PERFORMANCE PARTS

Installation

NOTE: *Only tighten the bolt finger tight at this stage.*

Position the rear lower arm and install the new rear lower arm-to-frame bolt.



Factory Ford shop manuals are available from Helm Publications, 1-800-782-4356

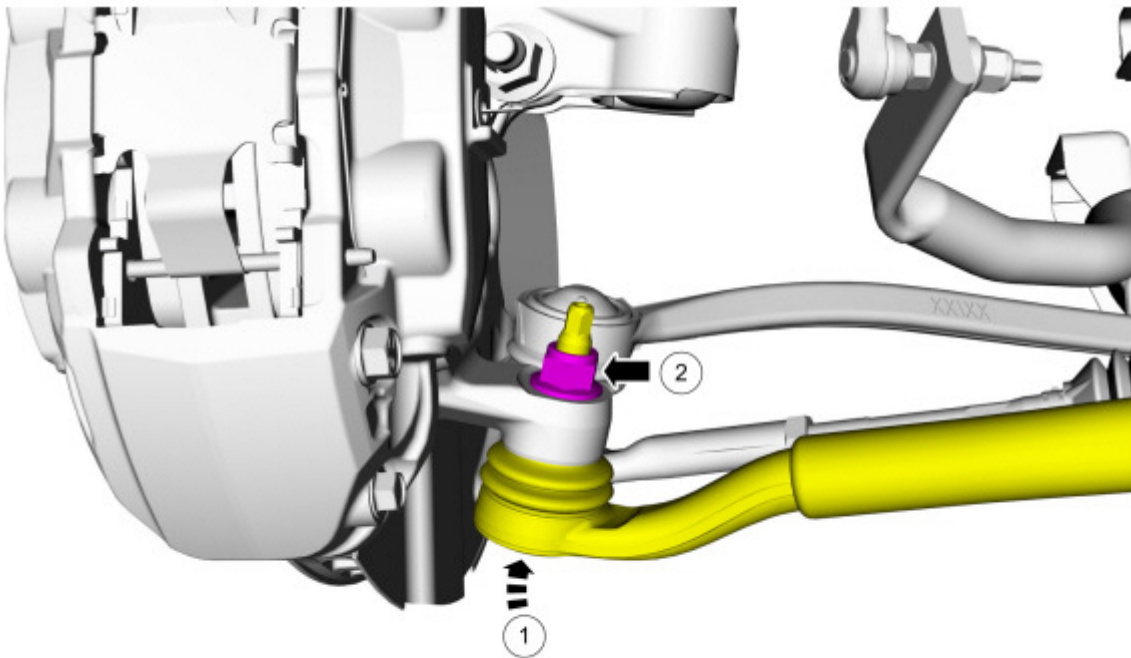


FORD PERFORMANCE

M-3075-F 2015-2017 Mustang Front Lower Control Arm Kit

NO PART OF THIS DOCUMENT MAY BE REPRODUCED WITHOUT PRIOR AGREEMENT AND WRITTEN PERMISSION OF FORD PERFORMANCE PARTS

1. Attach the rear lower arm to the wheel spindle.
2. Install the new rear lower arm outboard nut.
Torque:
Non SVT: 85 lb.ft (115 Nm)



E187438

Factory Ford shop manuals are available from Helm Publications, 1-800-782-4356

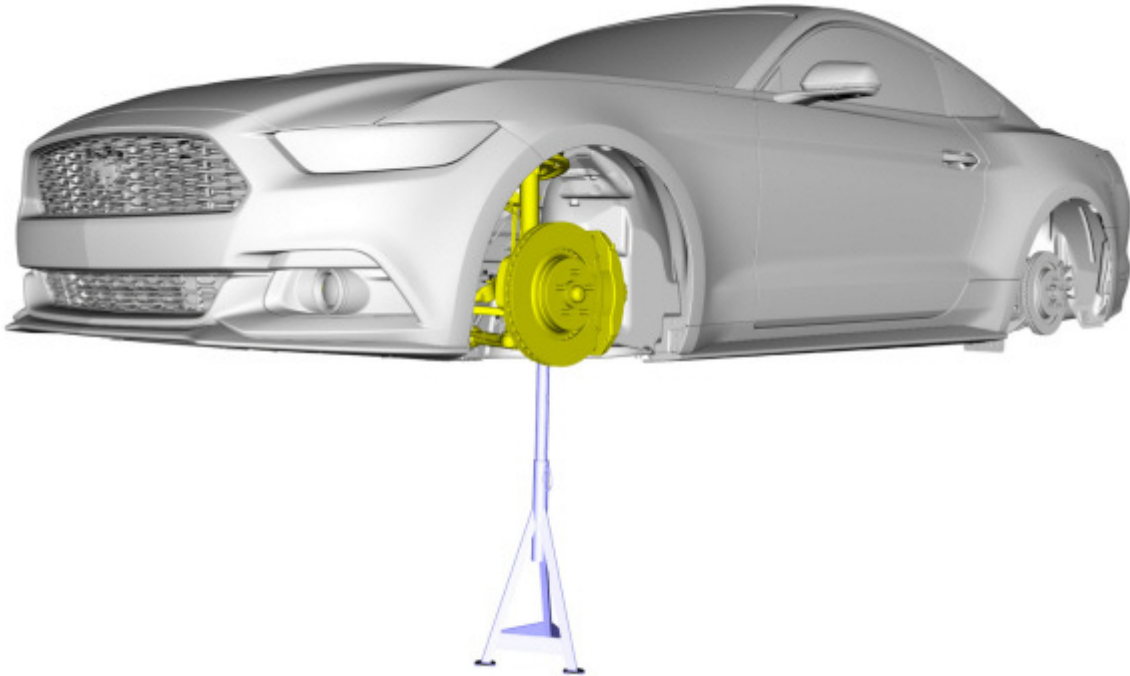


FORD PERFORMANCE

M-3075-F 2015-2017 Mustang Front Lower Control Arm Kit

NO PART OF THIS DOCUMENT MAY BE REPRODUCED WITHOUT PRIOR AGREEMENT AND WRITTEN PERMISSION OF FORD PERFORMANCE PARTS

Support the suspension at curb height.
Use the General Equipment: Vehicle/Axle Stands



E187407

Factory Ford shop manuals are available from Helm Publications, 1-800-782-4356



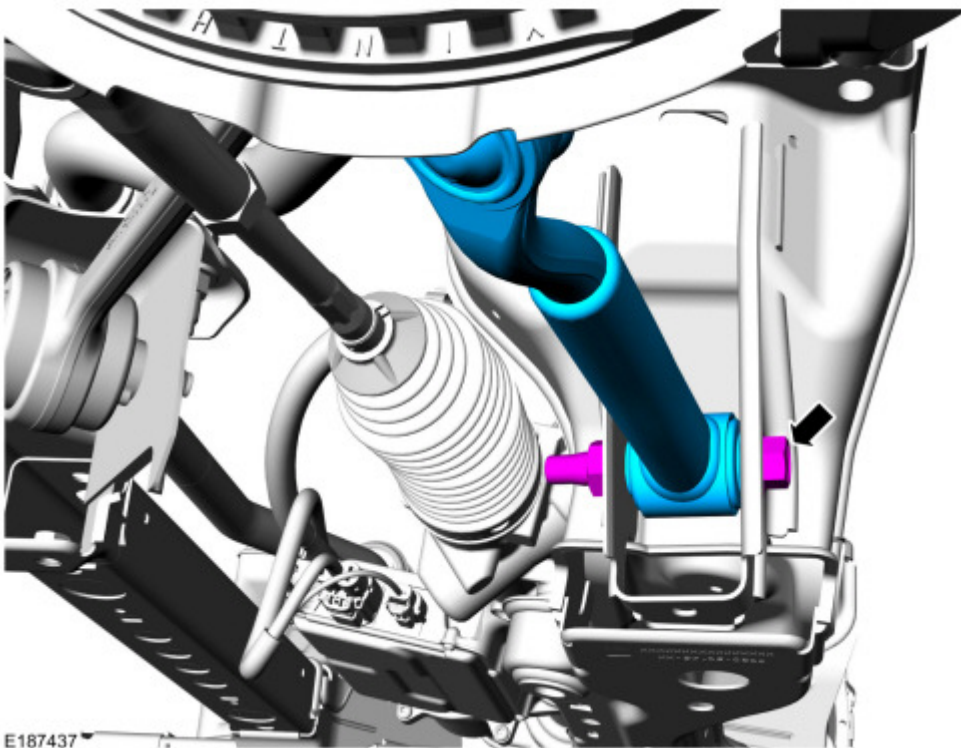
FORD PERFORMANCE

M-3075-F 2015-2017 Mustang Front Lower Control Arm Kit

NO PART OF THIS DOCUMENT MAY BE REPRODUCED WITHOUT PRIOR AGREEMENT AND WRITTEN PERMISSION OF FORD PERFORMANCE PARTS

NOTICE: Tighten the suspension bushing fasteners with the suspension loaded or with the weight of the vehicle resting on the wheels and tires, otherwise incorrect clamp load and bushing damage may occur.

Tighten the rear lower arm-to-frame bolt.
Torque: 184 lb.ft (250 Nm)



Factory Ford shop manuals are available from Helm Publications, 1-800-782-4356

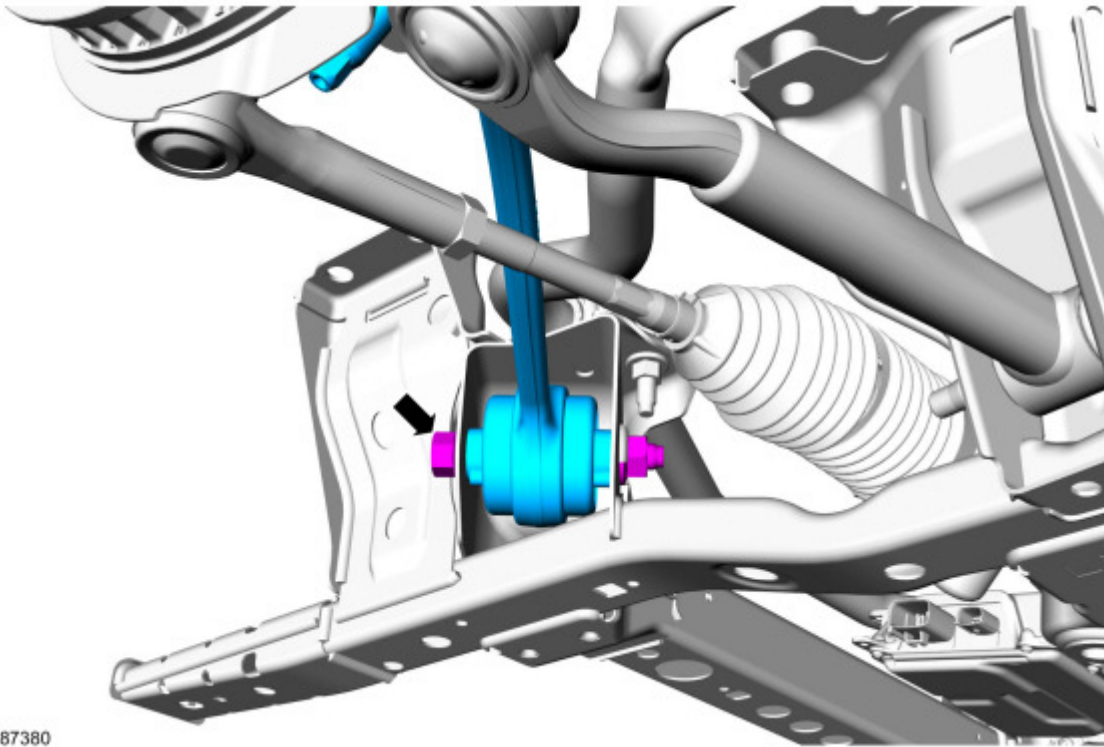


FORD PERFORMANCE

M-3075-F 2015-2017 Mustang Front Lower Control Arm Kit

NO PART OF THIS DOCUMENT MAY BE REPRODUCED WITHOUT PRIOR AGREEMENT AND WRITTEN PERMISSION OF FORD PERFORMANCE PARTS

Tighten the front lower arm-to-frame bolt.
Torque: 184 lb.ft (250 Nm)



E187380

Factory Ford shop manuals are available from Helm Publications, 1-800-782-4356



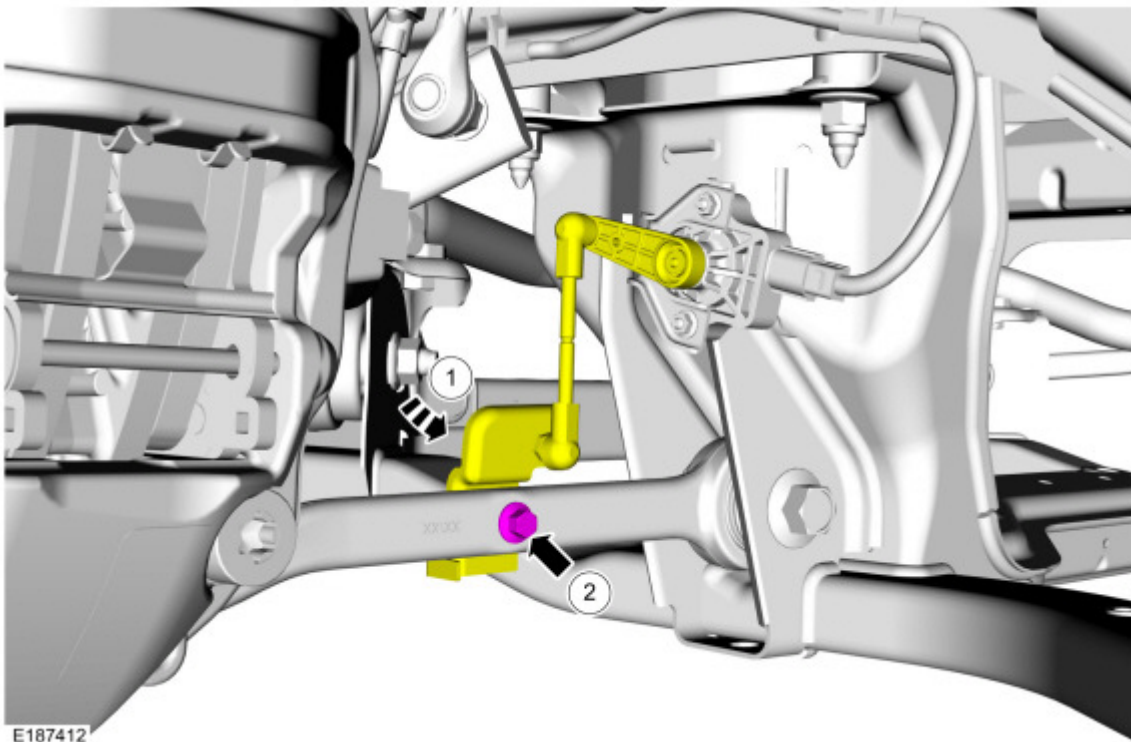
FORD PERFORMANCE

M-3075-F 2015-2017 Mustang Front Lower Control Arm Kit

NO PART OF THIS DOCUMENT MAY BE REPRODUCED WITHOUT PRIOR AGREEMENT AND WRITTEN PERMISSION OF FORD PERFORMANCE PARTS

NOTE: *If equipped with dynamic suspension.*

1. Position the ride height sensor arm bracket.
2. Install the ride height sensor arm bracket bolt.
Torque: 177 lb.in (20 Nm)



Factory Ford shop manuals are available from Helm Publications, 1-800-782-4356



FORD PERFORMANCE

M-3075-F 2015-2017 Mustang Front Lower Control Arm Kit

NO PART OF THIS DOCUMENT MAY BE REPRODUCED WITHOUT PRIOR AGREEMENT AND WRITTEN PERMISSION OF FORD PERFORMANCE PARTS

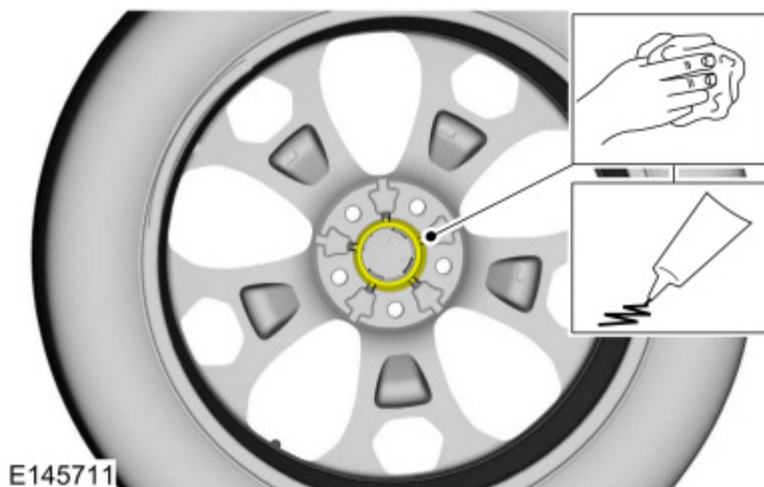
Install the wheel and tire.

Installation

⚠️ WARNING: When a wheel is installed, always remove any corrosion, dirt or foreign material present on the mounting surface of the wheel and the mounting surface of the wheel hub, brake drum or brake disc. Make sure that any fasteners that attach the rotor to the hub are secured so they do not interfere with the mounting surfaces of the wheel. Failure to follow these instructions when installing wheels may result in the wheel nuts loosening and the wheel coming off while the vehicle is in motion, which could result in loss of control, leading to serious injury or death to vehicle occupant(s).

NOTICE: Make sure to apply a thin coat of anti-seize lubricant only to the interface between the wheel pilot bore and the hub pilot. Do not allow the anti-seize to make contact with the wheel-to-brake disc/drum mounting surface, wheel studs, wheel nuts, brake pads or brake disc friction surfaces or damage to components may occur.

Clean the mounting surface of the wheel. Apply the substance from the specified tube.
Material: High Temperature Nickel Anti-Seize Lubricant / XL-2



Factory Ford shop manuals are available from Helm Publications, 1-800-782-4356



FORD PERFORMANCE

M-3075-F 2015-2017 Mustang Front Lower Control Arm Kit

NO PART OF THIS DOCUMENT MAY BE REPRODUCED WITHOUT PRIOR AGREEMENT AND WRITTEN PERMISSION OF FORD PERFORMANCE PARTS

NOTE: *Only tighten the nuts finger tight at this stage.*

Position the wheel and install the wheel nuts.

⚠ WARNING: Retighten wheel nuts within 160 km (100 mi) after a wheel is reinstalled. Wheels can loosen after initial tightening. Failure to follow this instruction may result in serious injury to vehicle occupant(s).

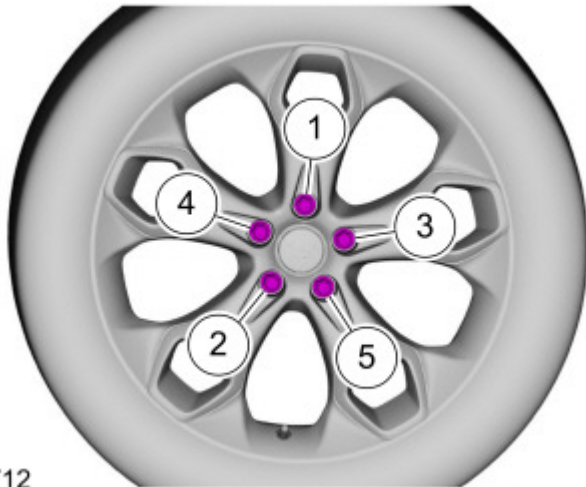
NOTICE: Failure to tighten the wheel nuts in a star/cross pattern can result in high brake disc runout, which accelerates the development of brake roughness, shudder and vibration.

NOTE: *The wheel nut torque specification is for clean, dry wheel stud and wheel nut threads.*

NOTE: *Final tightening to be performed with vehicle resting on tires.*

Tighten the wheel nuts in a star pattern.

Torque: 148 lb.ft (200 Nm)



E145712

Check and if necessary adjust front toe.

If equipped with dynamic suspension, calibrate the suspension system. Connect the scan tool and carry out the Ride Height Calibration routine. Follow the scan tool directions.

Factory Ford shop manuals are available from Helm Publications, 1-800-782-4356