



FORD PERFORMANCE

Mustang 2.3L Oil Separators M-6766-A23 and A23S

NO PART OF THIS DOCUMENT MAY BE REPRODUCED WITHOUT PRIOR AGREEMENT AND WRITTEN PERMISSION OF FORD PERFORMANCE PARTS

Please visit www.performanceparts.ford.com for the most current instruction and warranty information.

PLEASE READ ALL OF THE FOLLOWING INSTRUCTIONS CAREFULLY PRIOR TO INSTALLATION. AT ANY TIME YOU DO NOT UNDERSTAND THE INSTRUCTIONS, PLEASE CALL THE FORD PERFORMANCE TECHLINE AT 1-800-367-3788

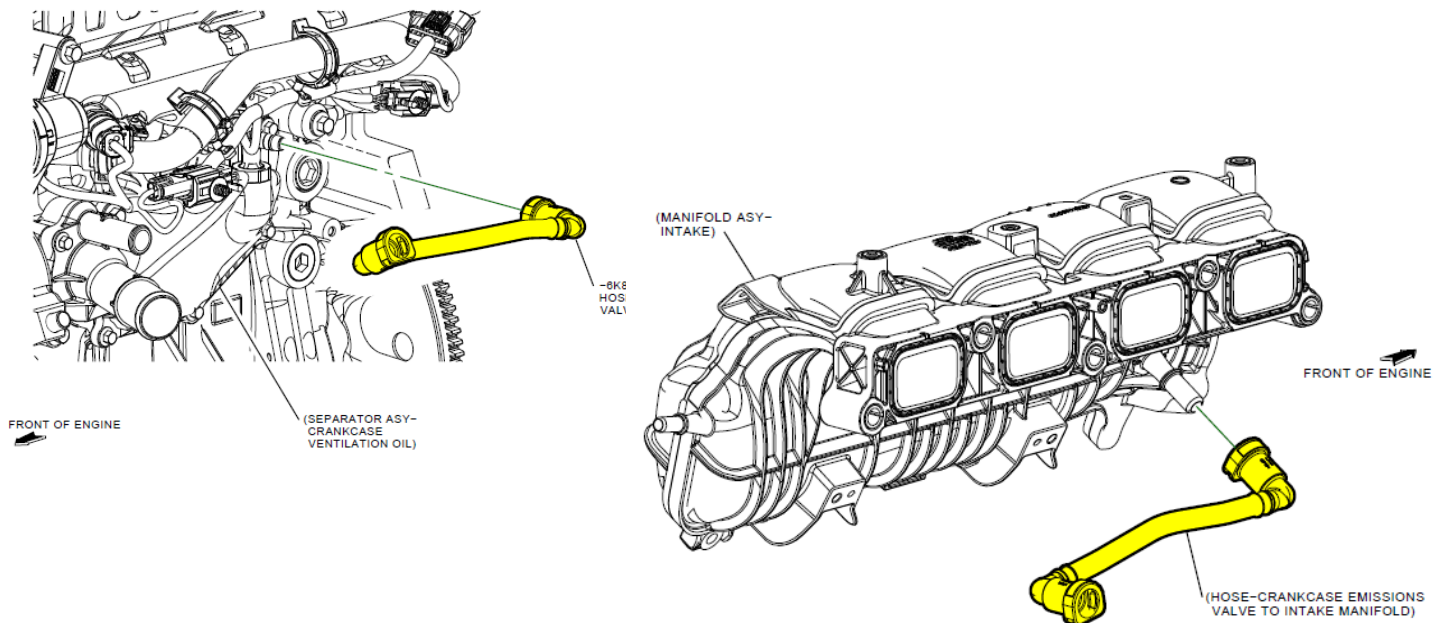
NOTE: Engine cover and strut tower brace can be removed for ease of installation. Engine cover fastener torque 10Nm and strut tower brace fastener torque 60Nm.

Driver Side Kit contents:

- 1 - Oil separator (CM-6766-A23L)
- 2 – PCV tubes (CM-6K817-M23C) (CM-6K817-M23D)
- 1 - Bracket (CM-BRKT-M23L)
- 1 – 6mm pushpin (W705436-S300)
- 1 – 8mm pushpin (W714400-S300)

Driver Side Oil Separator

Step 1. Remove PCV tube found on underside of intake manifold by depressing white clip on connectors. Access is easier with vehicle on hoist. (no need to remove intake manifold).



Factory Ford shop manuals are available from Helm Publications, 1-800-782-4356



FORD PERFORMANCE

Mustang 2.3L Oil Separators M-6766-A23 and A23S

NO PART OF THIS DOCUMENT MAY BE REPRODUCED WITHOUT PRIOR AGREEMENT AND WRITTEN PERMISSION OF
FORD PERFORMANCE PARTS

Step 2. Remove push rivet on shock tower holding insulation in place and install bracket using new pushpins included in kit. Mount bracket with push rivet and keyhole rivet.



Factory Ford shop manuals are available from Helm Publications, 1-800-782-4356



FORD PERFORMANCE

Mustang 2.3L Oil Separators M-6766-A23 and A23S

NO PART OF THIS DOCUMENT MAY BE REPRODUCED WITHOUT PRIOR AGREEMENT AND WRITTEN PERMISSION OF FORD PERFORMANCE PARTS

Step 3. Firmly install oil separator on bracket and install 2 new PCV tubes. Inlet tube routing from bottom of separator to PCV valve on side of cyl block (under intake manifold). Outlet tube routing from top of separator around front and to backside of intake manifold as shown.



Factory Ford shop manuals are available from Helm Publications, 1-800-782-4356



FORD PERFORMANCE

Mustang 2.3L Oil Separators M-6766-A23 and A23S

NO PART OF THIS DOCUMENT MAY BE REPRODUCED WITHOUT PRIOR AGREEMENT AND WRITTEN PERMISSION OF FORD PERFORMANCE PARTS

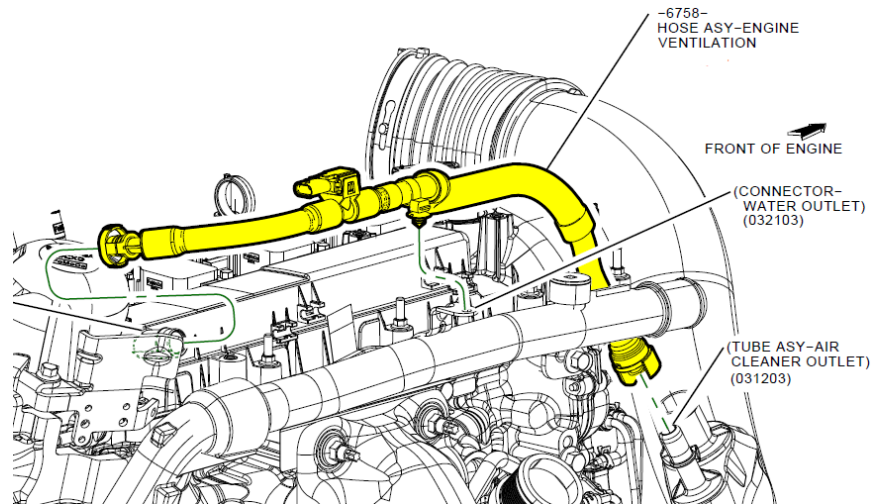
Passenger Side Kit contents:

- 1 - Oil separator (CM-6766-A23R)
- 2 - PCV tubes (CM-6K817-M23A) (CM-6K817-M23B)
- 1 - Bracket (CM-BRKT-M23R)
- 2 - 7mm turn rivet (W716510-S300)

Passenger Side Oil Separator

Step 1. Remove engine cover

Step 2. Disconnect wiring harness to breather hose, then remove breather hose



Factory Ford shop manuals are available from Helm Publications, 1-800-782-4356

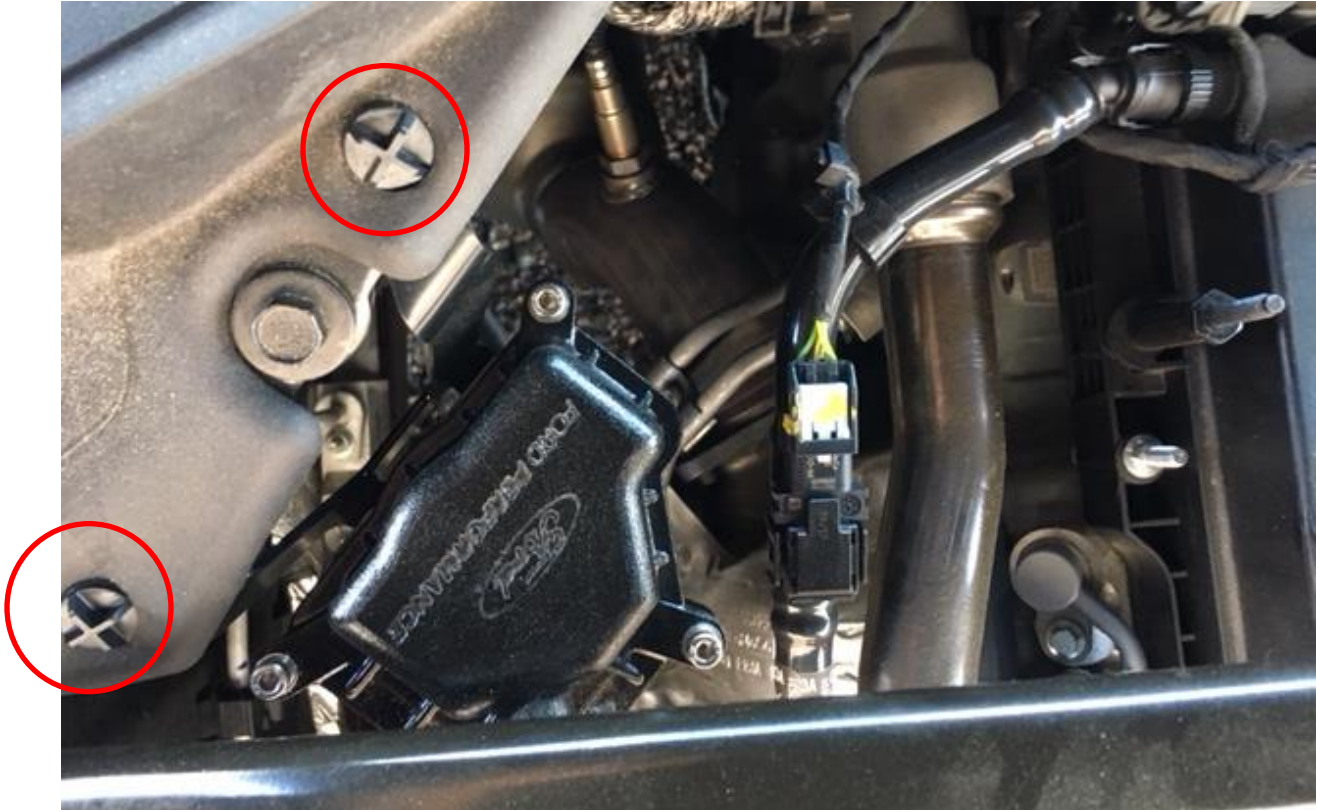


FORD PERFORMANCE

Mustang 2.3L Oil Separators M-6766-A23 and A23S

NO PART OF THIS DOCUMENT MAY BE REPRODUCED WITHOUT PRIOR AGREEMENT AND WRITTEN PERMISSION OF FORD PERFORMANCE PARTS

2. Remove turn rivets holding battery cover and place bracket in-between cover and steel, installing new turn rivets provided.



Factory Ford shop manuals are available from Helm Publications, 1-800-782-4356



FORD PERFORMANCE

Mustang 2.3L Oil Separators M-6766-A23 and A23S

NO PART OF THIS DOCUMENT MAY BE REPRODUCED WITHOUT PRIOR AGREEMENT AND WRITTEN PERMISSION OF FORD PERFORMANCE PARTS

Step 3. Firmly install oil separator on bracket and install 2 new PVC tubes per illustration.



Step 4. Connect wiring harness to PCV tube sensor and reinstall engine cover.

Regular maintenance/monitoring is required based on severity of drive cycles. Track type driving will require more frequent checks for accumulation of oil in the separator. Remove separator (brackets can stay mounted to engine) and drain oil from the lower spigot. Do not empty from upper fitting! If removal of the top cover is required, when reinstalling torque socket head screws to 4.5 to 5 Nm. Internal mesh screen can be cleaned with solvent.

Factory Ford shop manuals are available from Helm Publications, 1-800-782-4356