

1993 Cobra/1994 GT Master Cyl. Adapter Kit (MMBAK-3)



Thank you for purchasing the Maximum Motorsports 1993 Cobra/1994 GT master cylinder adapter kit. This kit allows the use of the 2 port master cylinder on 1987-93 Mustangs originally equipped with a 3 port master cylinder. The MMBAK-3 kit uses only high pressure rated fittings and adapters that are designed for use in automotive brake systems. No cutting or flaring of brake lines is needed with the MMBAK-3 kit.

Read all instructions before beginning work. Following instructions in the proper sequence will ensure the best and easiest installation.

Note: A new master cylinder should be bench-bled per the factory service manual before being installed on the car.

- Installation of this kit will require 3/8", 7/16", 1/2", 12mm, and 14mm flare-nut wrenches to remove the brake lines.
1. Place a couple of rags below the master cylinder to catch any spilled brake fluid. Use a thick towel or fender cover over the fender to prevent brake fluid from damaging the paint.
 2. Using a 9/16" wrench or socket, remove the nuts holding the master cylinder to the brake booster.
 3. Remove the electrical plug from the low fluid level sensor on the bottom of the master cylinder reservoir.
 4. Using flare nut wrenches, disconnect the 3 factory brake lines from the master cylinder. Have a rag ready to absorb fluid from the bottom port on the master cylinder.
 5. Remove the master cylinder. Use a piece of masking tape to tag the forward-most OEM brake line going into the top of the OEM proportioning valve. It will be reused.

MMBAK-3r5.pmd

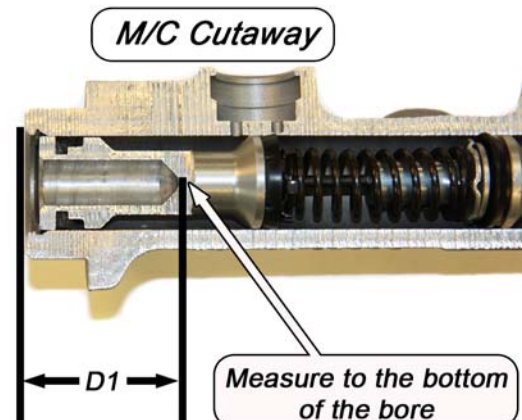
6. Remove the rear-most brake line connected to the top ports of the OEM proportioning valve and discard it. You may remove the forward-most line to keep it out of the way during master cylinder installation. Do not discard it.
7. To remove the low fluid level sensor from the bottom of the master cylinder, use a small flathead screwdriver to pry back the locking tab and push on the back of the sensor with your finger.



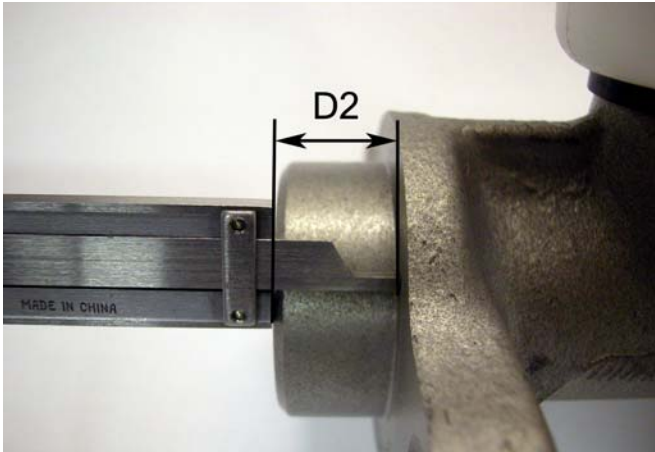
8. Install the low fluid level sensor into the new master cylinder by pressing in until it clicks into place.

Note: Before installing the new master cylinder you will need to adjust the brake booster pushrod.

9. Measure the pushrod bore depth and record this dimension as D1. Be sure to measure to the very bottom of the radiused pushrod bore.

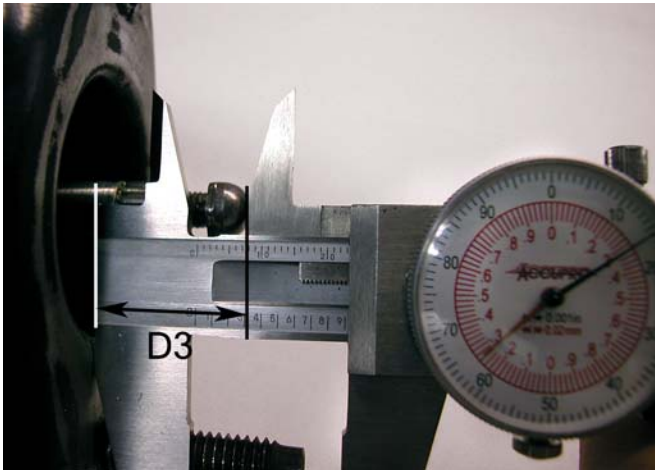


10. Measure the depth to the mounting pad and record this dimension as D2.



11. Subtract D2 from D1 and record this dimension as D3.

12. Measure the distance that the pushrod protrudes from the master cylinder mating surface on the brake booster. Be sure to measure to the tip of the pushrod. Adjust the length of the pushrod to be slightly less (.005" to .010" than D3 from Step 11. This will prevent accidental pre-load of the master cylinder from the brake push rod.



13. Install the new master cylinder onto the brake booster. Torque the nuts to 25 ft-lbs.

14. Attach supplied Rear Port Brake Line with the T-fitting into the rear port of the master cylinder.



15. With flare wrenches, firmly tighten the fittings on both ends of the supplied brake line. Hold the T-Fitting with a crescent wrench to prevent bending the brake line.

16. Identify the brake line that was installed on the bottom port of the OEM master cylinder. With flare wrenches, firmly tighten the brake line to the bottom port on the T-fitting.



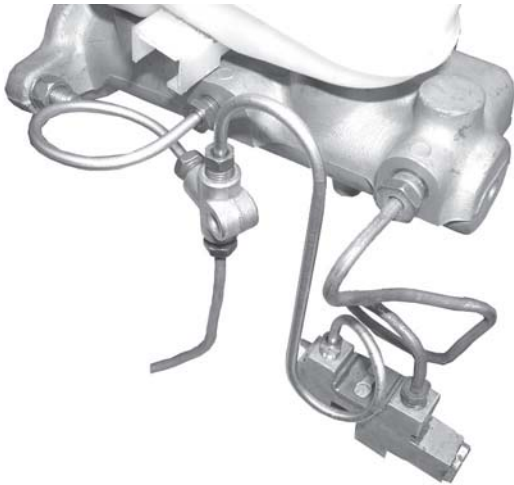
17. Thread the supplied brake line into the rear port on the factory proportioning valve and the top port on the T-Fitting. Firmly tighten both brake line fittings with a flare wrench. Hold the T-Fitting with a crescent wrench to prevent bending the brake lines.



This kit contains:

- | | |
|---|--|
| 1 | Rear Port Brake Line, Proportioning Valve. |
| 1 | Rear Port Brake Line, Master Cylinder |
| 1 | T-Fitting |

18. Install the original front port brake line and firmly tighten the two brake line fittings with a flare wrench. You may need to bend the brake line slightly to attach the fittings.



19. Reinstall the plug for the low fluid level sensor.
20. Fill the master cylinder with fluid and bleed all 4 brakes per the factory service manual.