

RAPTOR LIGHTS

Installation Guide

2017 Ford Raptor Brackets
FordRaptorLights.com

Please use proper tools and safety equipment when installing lights and bezel kit. Safety glasses or goggles are mandatory. Note that the Ford Raptor bumper cutouts can have slight variations in size from truck to truck and from one side to the other.

1

- Slide clip-on nuts over the two holes at the top of the bracket, keeping the threaded portion of the clip on nut facing the front of the bracket (As seen below)
- Press the gasket around the opening of the bumper.



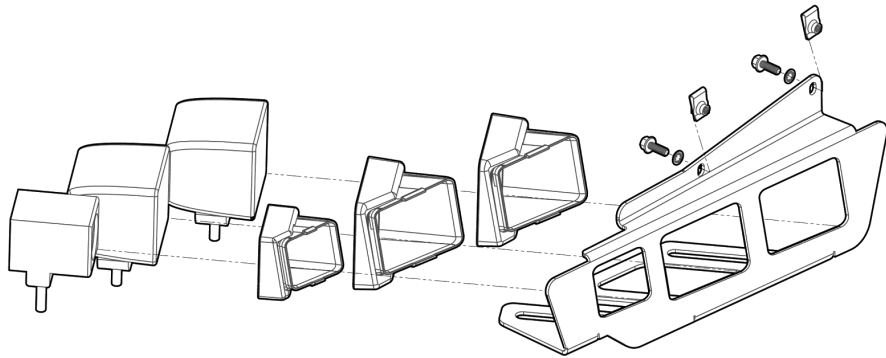
2

- Orient the bracket into place (the bracket should be at a 45 degree angle with a large space at the bottom of the bracket) and loosely fit both bolts with star lock washers. It will not sit flush until the bolts are torqued, don't tighten the bolts until both are in place. As you tighten the bolts gently position the bracket without moving the gasket. Before fully tightening be sure bezel is aligned in the bumper hole and the gasket is seated properly.



3

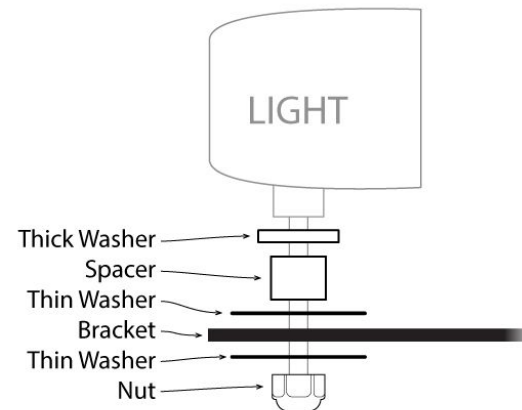
- Snap the driver and passenger side plastic shrouds into place.
- Note: 'Made in the USA' should be right side up when mounted in the bracket, also the 'D' and 'P' stand for Driver and Passenger side.



4

- Position the lights. Use the spacing chart below to center your lights vertically in the plastic shrouds. Starting at the 'cradle' attached to the light add the spacers in the order below. We suggest leaving the Up/Down angle adjustability of your lights loose while positioning, tighten everything up when the light is pointing where you want it.
- **8 screws are included if using amber filter for the KC HiLites Flex.**

| Light Brand | Spacers |
|--|---------------------------------------|
| Rigid (Dually, Radiance, Midnight, D2) | Thick washer Spacer Thin washer |
| Baja (Pro, Sport) | Thick washer Spacer Thin washer |
| Vison X (Optimus, Halo) | None |
| KC C-series | Thick Washer Thin Washer |
| KC Flex | Thick washer |



*All lights should be secured with a thin washer and nut.

5

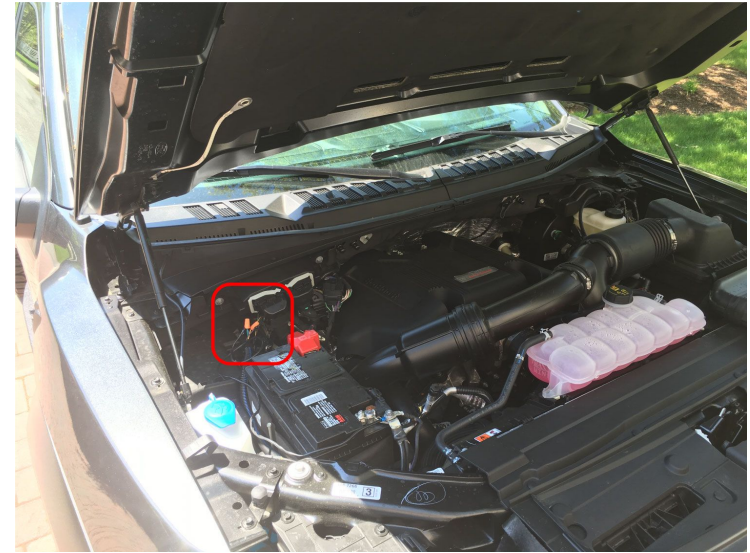
- Route the wiring harness and connect the whips.
- If you have a light with a halo (Rigid Radiance, Vision X Halo, etc) connect the purple wires at the whips to power the halo.
- When using rigid radiance lights you must add DT connectors (supplied) to the lights red and black wire. The white wire gets butt connected to the wire in the harness.
- When using the custom wire harness with Baja Designs you must cut the DT connectors off the harness and use the supplied Weather Pack connectors that mate with the Baja Designs Lights

Wiring amperage capabilities in our harness are as follows:

| Auxiliary Switch | Under Hood Wire (Amp) |
|------------------|-----------------------|
| 1 | Green (15) |
| 2 | Gray (15) |
| 3 | Purple (10) |
| 4 | Brown (10) |
| 5 | Gray (5) |
| 6 | Yellow (5) |
| Ground | Black |

DISCLAIMER:

It is extremely important to ensure that all light bracket and mounting plate hardware is completely tight, especially for those owners who off-road their Raptor. With proper installation, the hardware kit supplied with each bezel kit is robust enough to withstand moderate off-roading. It is necessary to completely tighten the brackets on the lights themselves, and we recommend the use of thread locker to prevent the factory supplied light brackets loosening from the light due to extreme vibration. It is also recommended that you check all bolts and retighten from time to time especially when off roading. For extreme/abusive off-roading environments, we recommend removing the bezels prior to aggressive off road driving to prevent potential damage or loss to the bezels. Like anything else on your truck, the Ford Raptor Lights brackets and bezels are not impervious to abuse. Questions? Feel free to contact Esko for support at Esko@fordraptorlights.com or call 207-749-5958 for further assistance.



| Hardware | Quantity |
|---------------------------|-------------------------------|
| Thick Washer | 6 |
| Spacer | 4 |
| Fender Washer | 10 |
| Nut | 4 |
| Light Bolts | 4 |
| Bracket Bolt | 4 |
| Bracket Lock Washers | 4 |
| Bracket Snap on Nuts | 4 |
| Gasket | 2 |
| Left Bracket | 1 |
| Right Bracket | 1 |
| Drivers LG Fairing | 2 |
| Pass LG Fairing | 2 |
| Drivers SM Fairing | 1 |
| Pass SM Fairing | 1 |
| Wire Harness | 1 |
| Flex Lights | 2 |
| **Radiance Whips** | 4 **RADIANCE ONLY** |
| Amber Covers | 2 ** If Ordered |
| Amber Cover Screws | 8 ** If Ordered |

