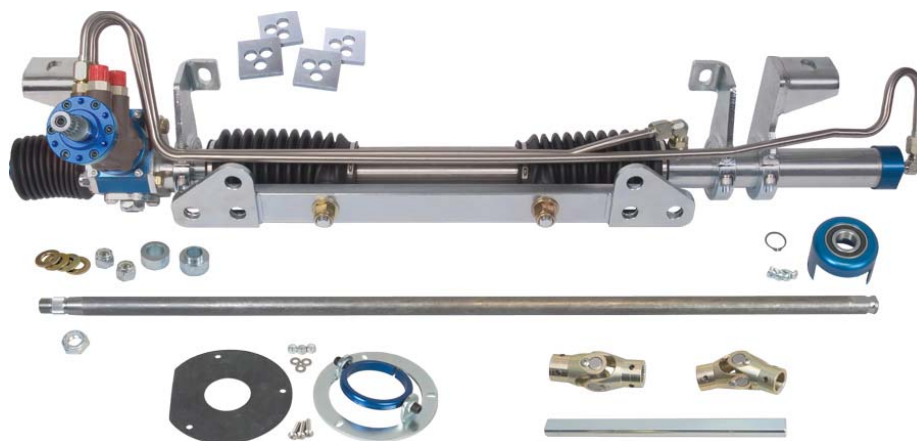


READ ALL INSTRUCTIONS COMPLETELY AND THOROUGHLY UNDERSTAND THEM BEFORE DOING ANYTHING.
CALL TOTAL CONTROL PRODUCTS TECH SUPPORT (916) 388-0288 IF YOU NEED ASSISTANCE.

INSTALLATION GUIDE



TCP RCKP213 Power Rack and Pinion Early 1967 Mustang, Big Block Left Hand Drive (USA)



Part Number	Description	PDF Page
TCP RCKP-01	Power Rack and Pinion	2
TCP EE-02	Eccentric Eliminators	18
TCP TIER-02	Tie-Rod Adapters	20
TCP COLM-01	Steering Column Shaft	22
TCP COLM-04	Column Floor Mount	30
TCP ISFT-01	Intermediate Shaft	38

Instructions included for components listed in chart.

**READ ALL INSTRUCTIONS COMPLETELY AND THOROUGHLY UNDERSTAND THEM BEFORE DOING ANYTHING.
CALL TOTAL CONTROL PRODUCTS TECH SUPPORT (916) 388-0288 IF YOU NEED ASSISTANCE.**

INSTALLATION GUIDE

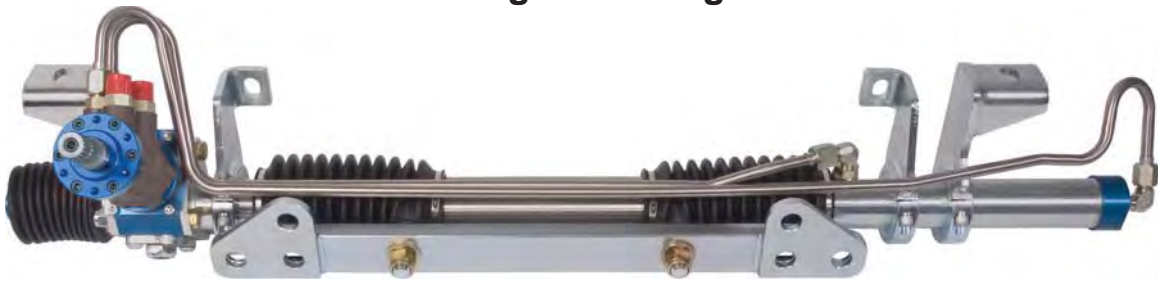


TCP RCKP-01

Power Rack & Pinion, Left-Hand Drive

1967-1970 Mustang/Cougar

FE or Big-Block Engines



Description: Power TCP Rack & Pinion with mounting brackets and hardware ONLY

Applications: Fits '67-70 Mustang/Cougar with FE or big-block V8 engines

Notes: The TCP Rack & Pinion has been engineered to work with the TCP power steering pump as a matched system. Using an alternate pump is not recommended or supported and will not yield optimum results.

FLUID REQUIREMENT: The only medium recommended for use in our rack-and-pinion system is petroleum (OIL). DO NOT USE SILICONE SYNTHETIC FLUID, any automatic transmission fluid, or any fluid containing a "resealing" additive. Materials such as silicones, brake fluids, water-or glycol-based hydrostatic fluids, and phosphate ester-based aviation hydraulic fluids like Skydrol are incompatible with the seals in the servo and cylinder and will cause them to swell, shrink, crack, or even dissolve. Damage or leaks caused by use of these fluids voids the manufacturer's warranty.

If the label does not say "Contents: Petroleum Oil" do not use it.

Approved Fluids:

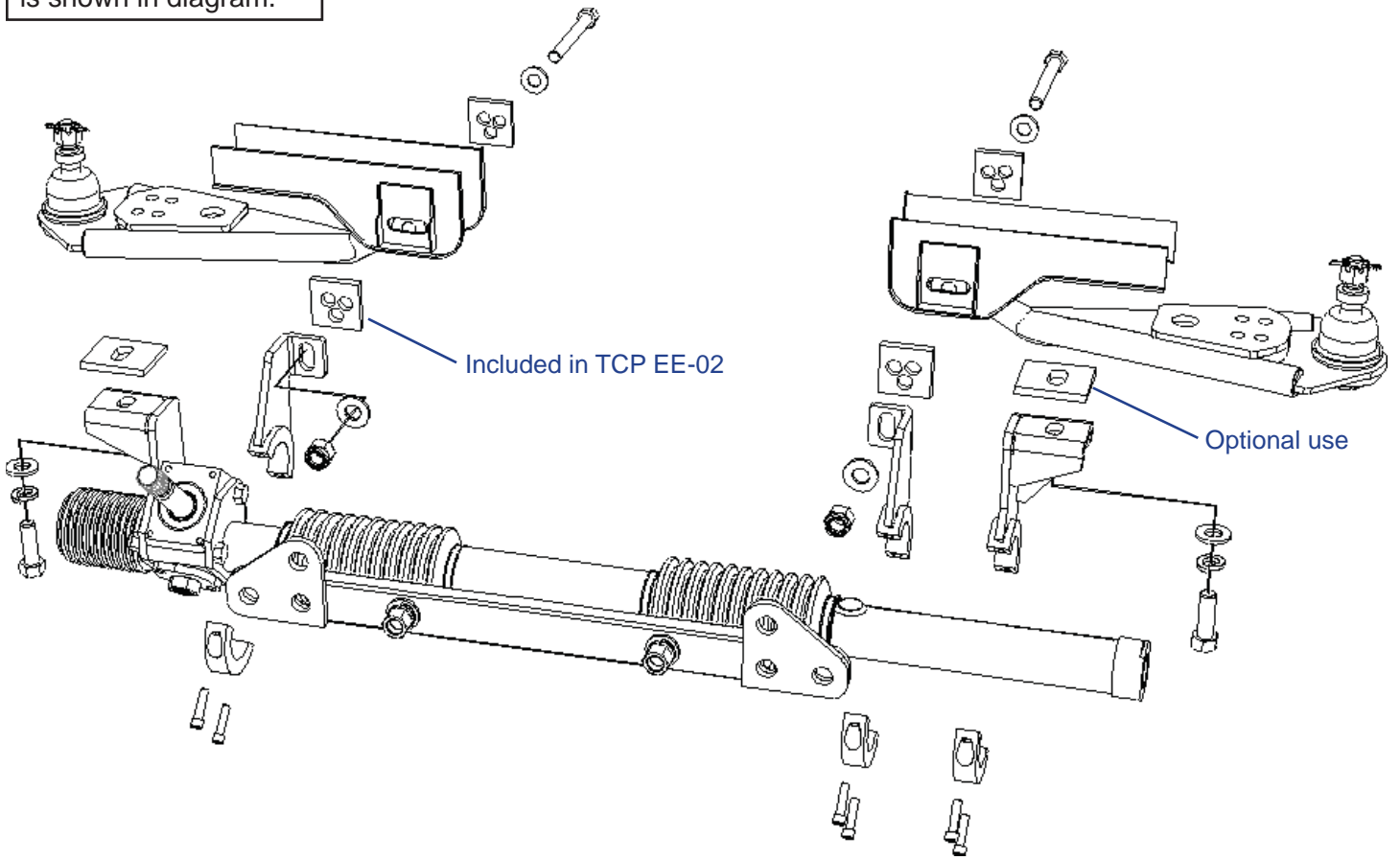
United States - NAPA Brand – PSF 9832 (1 qt.), PSF 9801 (1 gal.), NHF 85401 (1 gal.)

Canada - NVO 15040 (10 liter) -

Europe - Pentosin CHF7.1 - 1404106 (BMW/Audi dealerships)

1967-70 Mustang

Manual Rack assembly is shown in diagram.



PARTS LIST

RCKP-01 - Power Rack and Pinion, BB Mustang Left Hand Drive

Qty	Part Number	Description
1	TCP RCKP-01	Power rack and pinion, left-hand drive, big-block Mustang/Cougar
1	7900-184	Big-block mounting bracket set

7900-184 - Mounting Bracket Set, Big Block

Qty	Part Number	Description
3	7900-100	Clamp collar drilled half
1	7900-114	Frame bracket, passenger side, big block
1	7900-116	Lower-arm bracket, passenger side (bent left), big block
1	7900-118	Lower-arm bracket, driver side (bent right), big block
1	7918-005	Hardware bag

7918-005 - Hardware Bag

Qty	Part Number	Description
2	3100-050-C1.50Y	Bolt, 1/2-13 x 1-1/2" hex head Grade 8
2	3100-050-C4.50Y	Bolt, 1/2-13 x 4-1/2" hex head Grade 8
2	3101-050-13C	Locknut, 1/2-13 nylon insert
6	3103-031F1.00C	Socket head, 5/16-24 x 1" cap screw
6	3108-031H-S	High-collar lockwasher, 5/16", stainless steel
2	3108-050L-C	Lockwasher 1/2" regular
6	3120-050S-Y	Washer, 1/2" hardened flat SAE
2	7900-022	Frame spacer, 1.175 x 1.875 x .25 thick, slotted
2	7900-203	Frame spacer, 1.175 x 1.875 x .125 thick, slotted

TCP TIER-XX - Inner Tie-Rod Adapter Set (1 of the 3 listed)

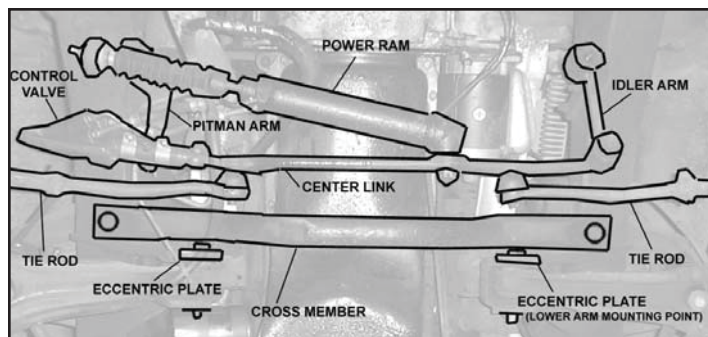
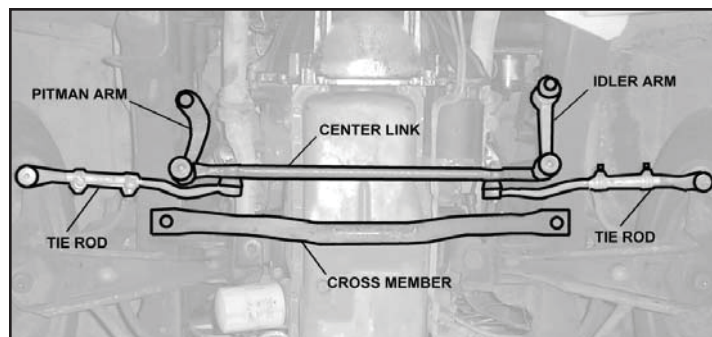
Qty	Part Number	Description
1	TCP TIER-01	Rack tie-rod adapters, .46" minor diameter, fits Comet 60-65, Cyclone 64-65, Falcon 60-65, Mustang 64-66, and Rancho 60-65
1	TCP TIER-02	Rack tie-rod adapters, .49" minor diameter, fits Cougar 67-69 (exc. Eliminator), and Mustang 67-69 (exc. Boss)
1	TCP TIER-03	Rack tie-rod adapters, .53" minor diameter, fits Cougar Eliminator 67-69, Cougar 1970, Mustang Boss 69, and Mustang 1970

INSTRUCTIONS

NOTE: A 1965 Mustang was used for the following images and may show slight differences from the later Mustang and Cougar platforms. The installation procedure is identical unless noted.

Removal of Factory Components

All OEM steering components will be removed before starting to install the rack and pinion.

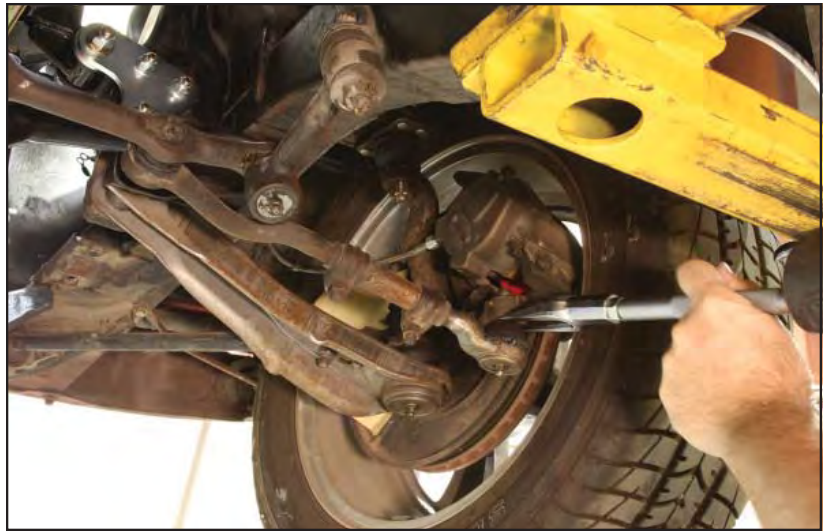


1. Remove the battery cable from the negative side of the battery.
2. Raise the vehicle using a two-post lift or jack and secure with jack stands so that the suspension hangs freely and the vehicle is safe to work underneath.
3. Unbolt the factory tubular crossmember that runs underneath the oil pan. There is one bolt at each frame rail. This crossmember is replaced by the rack and pinion and will not be reused.

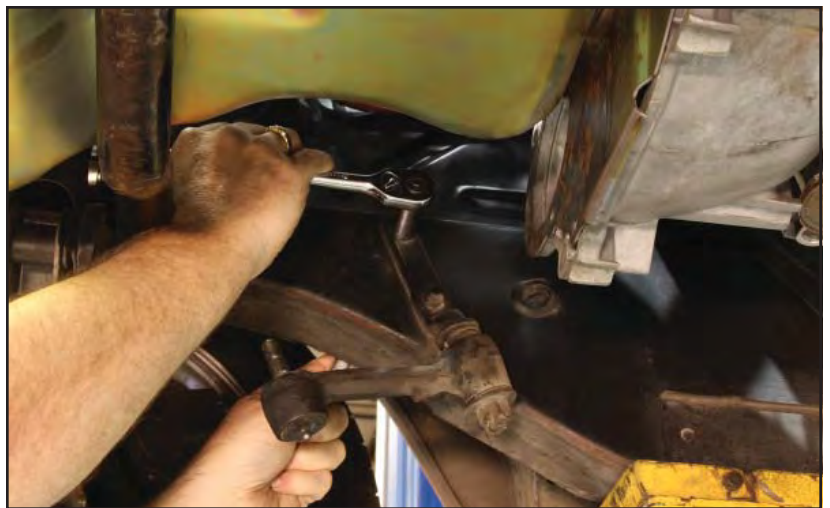


OEM power steering cars only

4. Disconnect the two power steering lines at the control valve.
5. Fluid will be present, so be prepared to plug the lines or drain remaining fluid from the system.
6. Unbolt the power ram bracket from the frame.
7. Loosen the fastening bolts to the power steering pump, swing the pump down, and remove the fan belt.
8. Unbolt all power steering pump brackets and remove the pump, brackets, and hoses as an assembly.



9. Remove the tie rods using a balljoint separator or similar tool.
10. If replacing the inner and outer tie rods, remove the outer tie rod from the spindle. The tie rods and center link will be removed as an assembly.
11. If reusing the inner and outer tie rods, remove the inner tie rods from the center link only.
12. Separate the center link from the pitman arm using a balljoint separator or similar tool.
13. Unbolt the idler arm from the vehicle and remove the steering system assembly.
14. Steering column preparation must be completed before proceeding.
15. Removal of the steering box is covered in the column set instructions (7903-COLM-XX).



16. Unbolt the lower control arms from the frame mounts. OEM eccentric adjustment hardware will be replaced with hardware supplied with the rack and pinion.
17. With the suspension at full extension, the lower control arms can be safely unbolted. Use caution as the arm may shift once the bolt is removed.

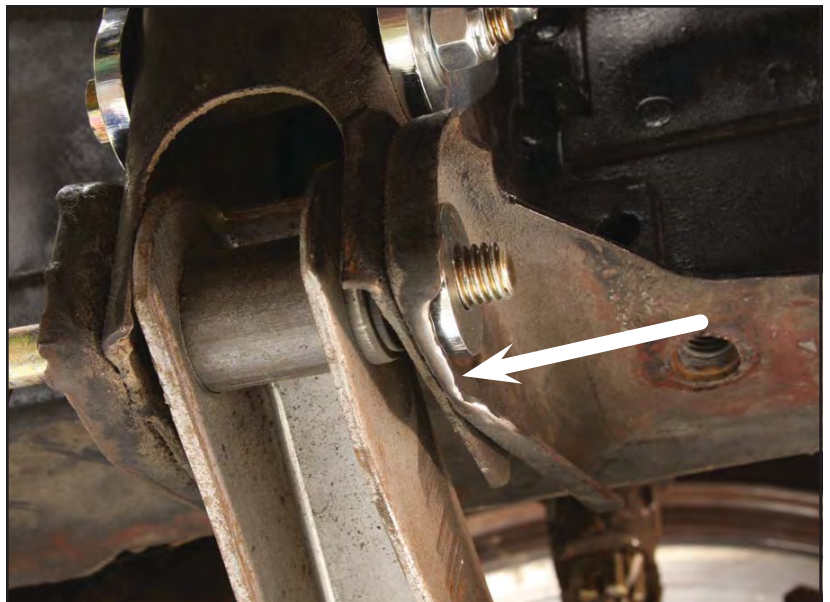


Loosely Install the Rack and Pinion

18. There are three split-collar clamp/bracket assemblies that hold the rack in position. To ensure that the assemblies provide even clamping pressure around the rack tube without distorting the tube, the clamp surface that makes contact with the rack tube must be free of burrs or any defects. Carefully inspect the inside edges and surface of each of the six clamp halves and remove any imperfections using a file if necessary.



19. Some installations will require the lip along the lower control arm mounts to be ground to allow the rack mounting brackets to properly seat.



20. Bolt the lower rack brackets to the lower control arm mounts using the orientation and hardware shown on page two. The bracket's bend will face inward or outward depending upon the year of the vehicle.

21. Refer to installation guide (7903-EE-02), packaged with eccentric eliminator plates (TCP EE-02), for specific instructions regarding orientation of plates.

22. The bolts should be snug enough to remove slack, but loose enough to allow the brackets to pivot and slide vertically by hand.



23. Using a 5/16-24 tap, chase the threads of the split collar brackets.



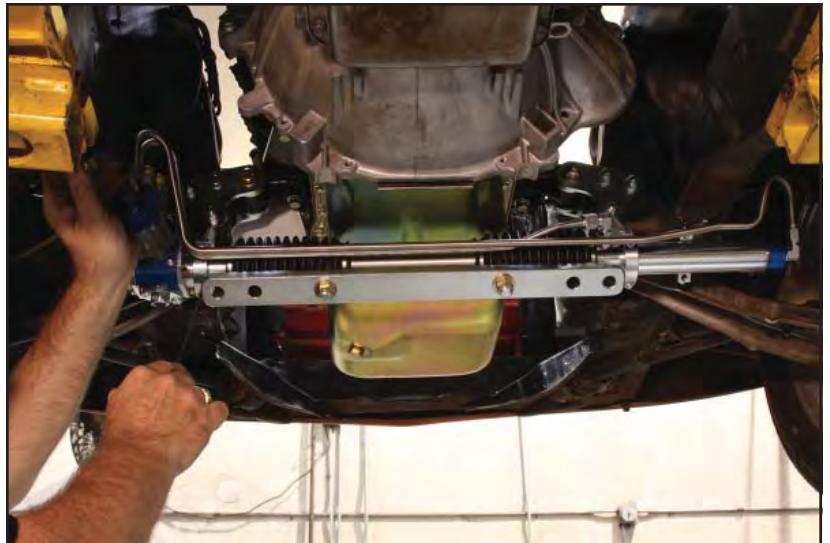
24. Using a 1/2-13 tap, chase the threads of the factory-crossmember mounting holes.



25. On the passenger-side frame rail, loosely bolt the frame bracket to the OEM-crossmember mounting point using the 1/2-13 x 1-1/2" bolt, flat washer, and lockwasher.



26. Raise the rack-and-pinion assembly into position along the loosely installed brackets.



27. On driver-side frame rail, loosely bolt the rack and pinion's attached frame bracket to the OEM-crossmember mounting point, using the same hardware as the passenger side bracket.

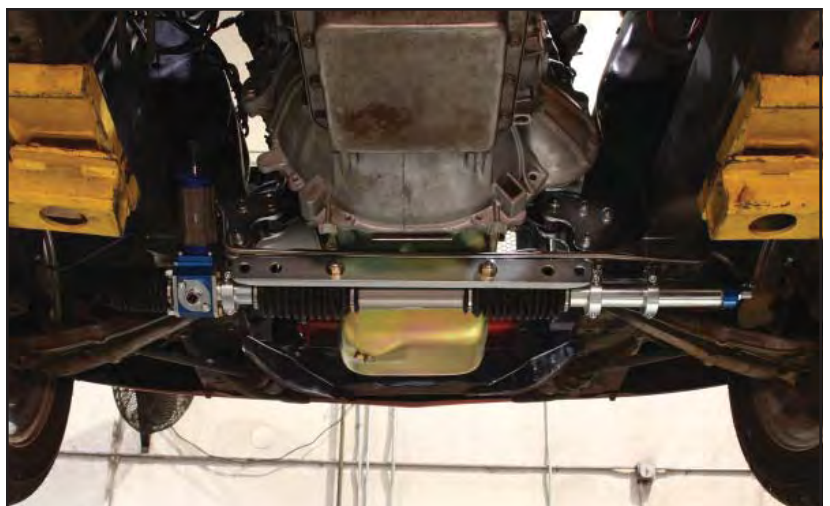


28. Loosely install each of the clamp collars (Item 2) onto their respective brackets so that the clamps seat against the rack tube to prevent rocking, but still allow rotation and sliding movement. A light lubricant can be used to more easily permit sliding of the brackets.
29. The opposing gaps between each clamp half must be even to prevent distorting the rack tube when tightened.



Mounting Bracket Alignment

30. **IMPORTANT:** If any of the mounting brackets do not easily align with the vehicle mounting points do not use the hardware to draw the rack and brackets into place. Doing so will bend the rack tube and create a binding condition that hinders performance and could potentially damage the rack. Each of the mounting brackets is slotted and additional optional-use spacers are included to accommodate differences in chassis dimensions.
31. If the outer brackets do not seat against the frame rails, use the 1/8"- and/or 1/4"-thick spacers to take up any slack. Some installations may require uneven spacer stacks to correctly align the rack brackets. Each vehicle is different and will need to be shimmed accordingly.
32. The inner brackets at the lower control arm mounts should seat against a 1/4" thick spacer ('64-66) or 1/4" eccentric eliminator plate ('67-70) with the frame brackets seated squarely against the frame rails.
33. In rare instances it may be necessary to increase the slot length of the brackets to achieve a proper fit. For safety purposes the brackets are made from mild steel and can be modified with fairly common tools.



34. Verify that each of the three clamps are just tight enough to correctly align the bracket with the rack tube before lightly tightening the outer-bracket bolts into the frame rails.
35. The rack and pinion is now accurately positioned.



Install Intermediate Shaft

36. The intermediate shaft can now be measured and cut to the correct length.
37. Refer to installation guide (7903-ISFT-XX), packaged with your intermediate shaft set (TCP ISFT-XX), for specific instructions
38. The two inner-clamp halves and the driver-side frame bolt will need to be removed to allow installation of the intermediate shaft.
39. Intermediate shaft procedures must be complete before proceeding.



Mounting Bracket – Final Installation

The rack and pinion should be held in position by the outer frame brackets and properly seated against the lower rack brackets.

NOTE: For ease of installation, initial tightening is performed with the weight of the vehicle carried by the frame rails instead of the suspension. Vehicles exhibiting signs of excessive chassis flex must loosen and re-torque all brackets and clamps after installation and adjustment have been completed, with the vehicle fully supported by the suspension. This allows the rack and pinion to be installed in a neutrally-loaded state. Spacer shims may need to be added or removed. Car ramps, a four-post drive-on lift, or ideally an alignment rack should be used.

40. Install the clamps back onto the rack and evenly tighten to prevent the brackets from rocking, but still allowing rotation and sliding movement.
41. The procedure for tightening each of the four mounting brackets is similar to torquing down a cylinder head or intake manifold. The 1/2" bolts will be tightened progressively in the following order: driver-inner 1st, passenger-inner 2nd, driver-outer 3rd, passenger-outer 4th.



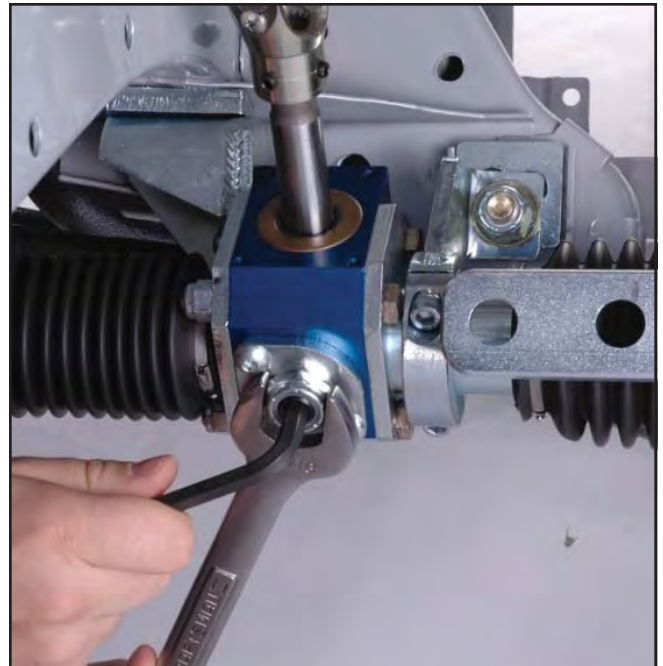
42. Begin by snugging up each bolt to remove any free play.
43. Verify that each bracket will seat squarely against its mounting surface without drawing the rack tube.
44. Make two to three passes through the tightening order to bring each bolt to its specified torque value.
Inner brackets – 60 lb-ft.; Outer brackets – 75 lb-ft.

Check for Binding

At each step of final tightening, the rack must be checked for binding or tightness throughout its range of travel. A slight bend in the rack tube or the tube being pinched into a slight oval will create additional friction against the rack's internal guide bushing or piston (power rack). Binding symptoms, probable causes, and solutions are explained in the following steps.

45. Using an even motion, turn the steering wheel from lock-to-lock. The amount of resistance should feel even from one end of the travel range to the other. Any noticeable increase or decrease in tension indicates a possible issue.

- **Notchy feeling or bump every 1/8th turn** – The pinion set screw adjustment at the base of the pinion housing is too tight. Loosen the large lock nut (15/16" hex) surrounding the set screw (5/16" allen) at the bottom of the pinion housing. While lightly rocking the steering wheel back and forth, tighten the set screw until it is seated then loosen 1/4 turn. Hold the set screw in position with an allen wrench and tighten the lock nut. The steering should feel smooth and have 1/16" to 1/8" of play at the steering wheel. Too loose of an adjustment allows excessive play at the steering wheel. Too tight of an adjustment makes steering overly sensitive and can prevent the system from returning to center while driving.
- **Notchy feeling or bump every 1/2 or 1/4 turn** – This usually indicates a binding condition at the intermediate steering shaft u-joints. Verify that the steering shafts do not extend into the open area of u-joint, causing it to bind.



- **Gradual increase in resistance** - The rack tube may be slightly bent due to bracket misalignment. This must be corrected before proceeding.
 - **Light variations in tension** – This is very common and will smooth out once the internal guide bushings have developed wear patterns (approx. 1,000 miles); similar to piston rings seating within a cylinder.
46. Continue by tightening the passenger-side outer clamp to 13-15 lb-ft., and check for binding.

- **Tightness near full-left lock (manual rack) or center of travel (power rack)** indicates that the passenger-side clamp has created one of the following issues.
 - The clamp is too tight and needs to be loosened slightly.
 - The clamp is not square to the bracket-side clamp. Check by measuring the gap at the opposite ends of the clamp.
 - There is debris, a burr, or other imperfection on the clamp or rack tube that must be removed.
 - Recheck for binding.

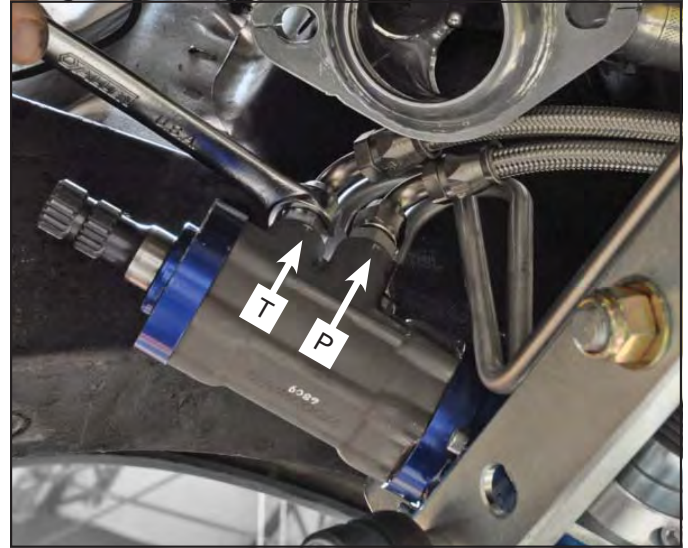
47. Tighten the two inner clamps to 13-15 lb-ft., and check for binding.

- **Tightness near full-left lock (manual rack) or center of travel (power rack)** indicates that the passenger-side clamp has created one of the following issues.
 - The clamp is too tight and needs to be loosened slightly.

- The clamp is not square to the bracket-side clamp. Check by measuring the gap at the opposite ends of the clamp.
- There is debris, a burr, or other imperfection on the clamp or rack tube that must be removed.
- Recheck for binding.

Connect Power Steering Pump and Lines

48. The power steering pump must be installed before proceeding.
49. Instructions for assembly and installation of the TCP hose kit (TCP HOSE-XX), power steering pump (TCP PSP-FD), and bracket set (TCP PBS-FD-XX) are packaged with their respective kits.
50. Power steering hoses and fittings must meet or exceed a pressure rating of 2000 psi., and vacuum rating of 28 in./Hg to safely handle potential spikes in system pressure from wheel impacts and prevent the pump feed hose from collapsing during periods of high fluid demand.
51. When connecting hoses to the pump, rack-and-pinion control servo, and reservoir, carefully inspect all fittings and hose ends for defects or debris. Even minor damage, such as a nick or dent, on an exposed male fitting or tapered flare can prevent the fitting from forming a tight seal, resulting in a leak.



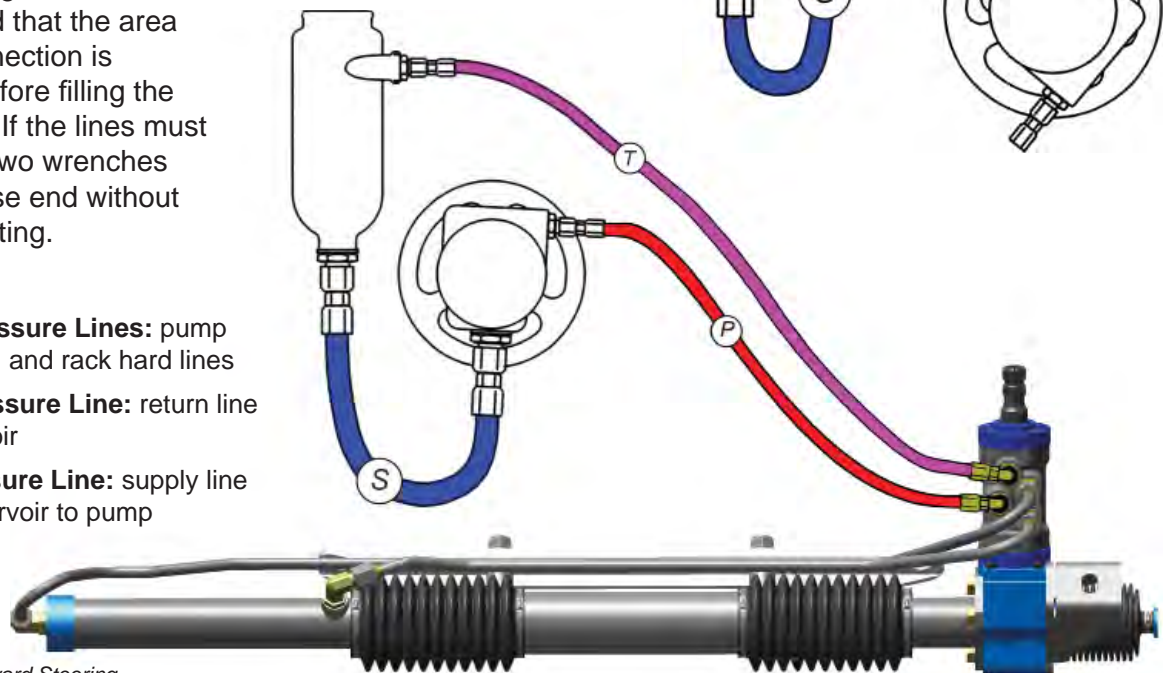
- The control servo ports are marked:
 - “P” for the high-pressure line from the pump output
 - “T” for the low-pressure return line to the reservoir

52. Avoid Air Traps - In general the Supply line (“S” in diagram) should be as short and direct as possible, but above all it must not trap air. A hose which approaches the pump from below and enters it from above—as in the illustration—will have an air pocket at the top of the bend, which de-primed the pump. The slightest high point in a level-appearing run of hose can trap air.

53. Verify that all fittings and hose ends are tight and that the area around each connection is completely dry before filling the system with fluid. If the lines must be removed use two wrenches to remove the hose end without unscrewing the fitting.



High-Pressure Lines: pump output (P) and rack hard lines
Low-Pressure Line: return line to reservoir
No-Pressure Line: supply line from reservoir to pump



Fill the System with Fluid

54. Fill the reservoir using only petroleum based power steering fluid.

FLUID REQUIREMENT: The only medium recommended for use in our rack-and-pinion system is petroleum (OIL). DO NOT USE SILICONE SYNTHETIC FLUID, any automatic transmission fluid, or any fluid containing a “resealing” additive. Materials such as silicones, brake fluids, water-or glycol-based hydrostatic fluids, and phosphate ester-based aviation hydraulic fluids like Skydrol are incompatible with the seals in the servo and cylinder and will cause them to swell, shrink, crack, or even dissolve. Damage or leaks caused by use of these fluids voids the manufacturer’s warranty.

55. Turn the steering wheel lock to lock repeatedly while maintaining the fluid level in the reservoir to fill the rack cylinder and hard lines. DO NOT start the engine at this time.

56. Verify that the power steering pump belt is correctly tensioned and then start the engine.

- Top off the fluid level immediately to replace the volume of fluid required to fill the hoses.
- Operating the power steering pump without fluid will cause damage.

57. Turn the steering wheel lock to lock repeatedly to bleed air from the system.

Check for Air in the System

58. With the reservoir cap removed, check the fluid returning to the reservoir for signs of air being introduced into the system. Potential causes can include the following:

- Splashing from fluid return can be eliminated by raising the fluid level.
- Air drawn in from the reservoir feed line due to extremely low fluid level requires adding fluid.
- Air drawn in through leaky fitting on feed line to pump. The fluid demand from the pump creates a low pressure condition that can suck in air if the fittings are not completely sealed.

Check for Fluid Leaks

59. Each rack and pinion is factory tested at fluid pressure levels that exceed normal operating conditions.

60. Turn off the engine before checking the entire system for signs of leaking fluid.

61. Check each connection point on the reservoir, pump, and rack and pinion. Fix any leaks.

- Hose to hose ends
- Hose ends to fittings
- Fittings to mounting bosses at the reservoir, pump, and rack.
- Servo base to pinion housing

Verify Steering Bias is Centered

62. With the engine running, lightly throw the steering wheel in either direction.

- If the steering system continues to drift in that direction, the steering bias is offset and must be adjusted.
- Conduct this test in both directions.

Adjusting Steering Bias

- Prior to shipping servos are adjusted to provide centered or neutral steering effort for vehicles with symmetrical alignment settings. The vast majority of installations should retain the factory setting.
- The control servo features two set screws, 90° apart, at the base of the pinion shaft to adjust steering bias. Each set screw is seated against a flat on the torsion bar within the pinion shaft and control servo. The torsion bar controls the operation of the spool valve that directs fluid to provide hydraulic assist. Offsetting the center position of the torsion bar by adjusting the set screws alters the balance of constant pressure directed to each side of the rack-and-pinion piston.

- ENGINE MUST BE OFF PRIOR TO ADJUSTING.
- (Perspective as viewed from underneath the rack and facing the front of the vehicle. The steering shaft must be rotated to position the set screws toward the bottom half of the shaft, closest to your vantage point.)

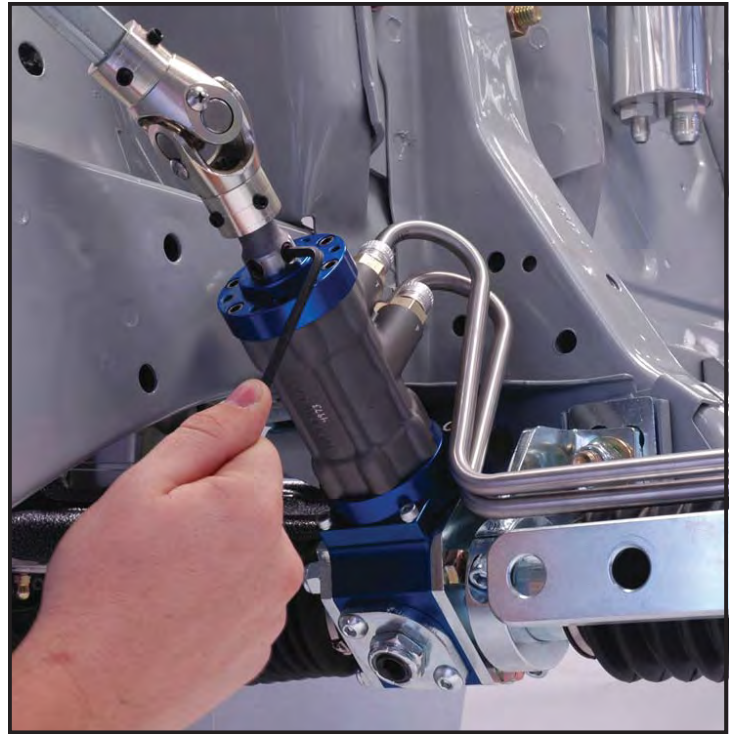
63. If the steering wheel is drifting toward the left (counter clockwise), loosen the left set screw 1/12 of a turn, and then tighten the right set screw.

- Start the engine and test steering bias.

64. If the steering wheel is drifting toward the right (clockwise), loosen the right set screw 1/12 of a turn, and then tighten the left set screw.

- Start the engine and test steering bias.

65. Verify that both set screws are tight. Any slack between the set-screw point and the torsion-bar flat will have a negative effect on steering performance, which may occur gradually or immediately.



Tie-Rod Installation

66. Verify that the rack has full travel.
67. Turn the steering wheel to full left lock.
68. From one of the frame rails, measure the distance that the center link travels from full left to full right lock. The rack should travel 6-3/8".
69. If travel is less than 6-3/8", look for binding at the u-joints or with exhaust headers that may be limiting travel.

Centering the Rack and Pinion

70. From full right lock, move the center link 3-3/16" toward the left. This is the rack and pinion's center of travel.



71. Tie-rod assemblies can now be installed as described in their respective installation guides (7903-TIER-XX).

72. Installation of inner tie rod requires use of vehicle specific tie-rod adapter packaged with rack and pinion.

73. Adjusting the tie-rods to correctly set the alignment toe must be done with the suspension fully weighted and the rack and pinion at its center of travel.

74. Recheck all hardware for each portion of the steering system (aftermarket and OEM) to ensure it has been tightened to the proper torque specification. The installation for the complete subframe connector package is complete.

NOTES:

WARRANTY NOTICE:

There are NO WARRANTIES, either expressed or implied. Neither the seller nor manufacturer will be liable for any loss, damage or injury, direct or indirect, arising from the use or inability to determine the appropriate use of any products. Before any attempt at installation, all drawings and/or instruction sheets should be completely reviewed to determine the suitability of the product for its intended use. In this connection, the user assumes all responsibility and risk. We reserve the right to change specification without notice. Further, Chris Alston's Chassisworks, Inc., makes **NO GUARANTEE** in reference to any specific class legality of any component. **ALL PRODUCTS ARE INTENDED FOR RACING AND OFF-ROAD USE AND MAY NOT BE LEGALLY USED ON THE HIGHWAY.** The products offered for sale are true race-car components and, in all cases, require some fabrication skill. **NO PRODUCT OR SERVICE IS DESIGNED OR INTENDED TO PREVENT INJURY OR DEATH.**

Total Control Products
A Chris Alston's Chassisworks, Inc. Brand
8661 Younger Creek Drive
Sacramento, CA 95828
Phone: 916-388-0288
Technical Support: tcptech@cachassisworks.com



WARRANTY NOTICE:

There are **NO WARRANTIES**, either expressed or implied. Neither the seller nor manufacturer will be liable for any loss, damage or injury, direct or indirect, arising from the use or inability to determine the appropriate use of any product. Before any attempt at installation, all drawings and/or instruction sheets should be completely reviewed to determine the suitability of the product for its intended use. In this connection, the user assumes all responsibility and risk. We reserve the right to change specification without notice. Further, Chris Alston's Chassisworks, Inc., makes **NO GUARANTEE** in reference to any specific class legality of any component. **ALL PRODUCTS ARE INTENDED FOR RACING AND OFF-ROAD USE AND MAY NOT BE LEGALLY USED ON THE HIGHWAY.** The products offered for sale are true race-car components and, in all cases, require some fabrication skill. **NO PRODUCT OR SERVICE IS DESIGNED OR INTENDED TO PREVENT INJURY OR DEATH.**



Total Control Products
A Chris Alston's Chassisworks, Inc. Brand
8661 Younger Creek Drive
Sacramento, CA 95828
Phone: 916-388-0288
Technical Support: tcptech@cachassisworks.com

7903-EE-02

REV 01/18/05

INSTALLATION GUIDE



Eccentric Eliminator

For '66 – early 70's Fords
with OEM eccentric method camber adjustment
(For use with TCP Rack-&-Pinion)

P/N: TCP EE-02

DESCRIPTION:

ECCENTRIC ELIMINATOR PLATES ONLY FOR LOWER CONTROL ARMS 1.70 x 1.70 WITH 1/2 HOLES x 3"; PROVIDES 11 OFFSET COMBINATIONS

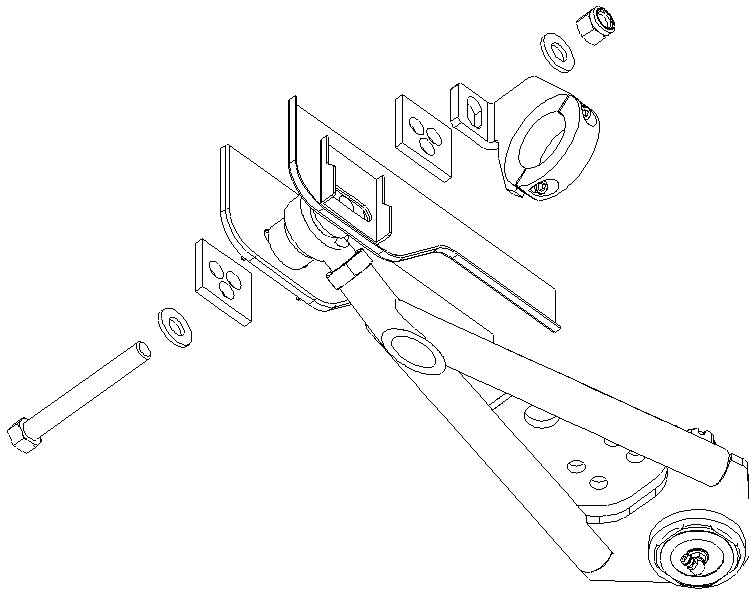
APPLICATIONS:

FITS '66 – EARLY 70's FORDS WITH OEM ECCENTRIC CAMBER ADJUSTMENT AND 1/2" LOWER CONTROL ARM MOUNTING BOLTS

PARTS LIST

Part Number	Description	Qty
7900-092	Eccentric Eliminator Plate	4

Orientation of rack-&-pinion mounting bracket will differ by application.



Additional hardware shown is included with the TCP Rack-&-Pinion and TCP Lower Control Arms.

INFORMATION

- Our Eccentric Eliminators' three-hole design provides 11 different mounting positions for the lower control arm, with a total camber adjustment range of 5 degrees.
- Each position is equal to roughly 1/2 degree of movement.
- The bolt must pass through the same hole of the fore and aft eliminator plates.
- The eliminator plates must have matching orientation.
- Negative camber will need to be initially set toward the negative side of the intended adjustment spec.
 - Example: Desired -1.5° , Initial Setting -2°
- TCP adjustable upper control arms or adjustment shims will be needed to make precise alignment settings.
- The split collar clamp for the rack-&-pinion is left loose to allow the clamp assembly to slide along the rack tube (not pictured).
- Tighten split collar clamp when initial camber setting has been achieved.
- Torque 1/2" Lower Control Arm bolts to 65 lb.ft.

WARRANTY NOTICE:

There are **NO WARRANTIES**, either expressed or implied. Neither the seller nor manufacturer will be liable for any loss, damage or injury, direct or indirect, arising from the use or inability to determine the appropriate use of any product. Before any attempt at installation, all drawings and/or instruction sheets should be completely reviewed to determine the suitability of the product for its intended use. In this connection, the user assumes all responsibility and risk. We reserve the right to change specification without notice. Further, Chris Alston's Chassisworks, Inc., makes **NO GUARANTEE** in reference to any specific class legality of any component. **ALL PRODUCTS ARE INTENDED FOR RACING AND OFF-ROAD USE AND MAY NOT BE LEGALLY USED ON THE HIGHWAY.** The products offered for sale are true race-car components and, in all cases, require some fabrication skill. **NO PRODUCT OR SERVICE IS DESIGNED OR INTENDED TO PREVENT INJURY OR DEATH.**



Total Control Products
A Chris Alston's Chassisworks, Inc. Brand
8661 Younger Creek Drive
Sacramento, CA 95828
Phone: 916-388-0288
Technical Support: tcptech@cachassisworks.com

7903-TIER-02

REV 04/01/10

INSTALLATION GUIDE



Tie Rod Adapter Set

.490 minor diameter

P/N: TCP TIER-02

DESCRIPTION:

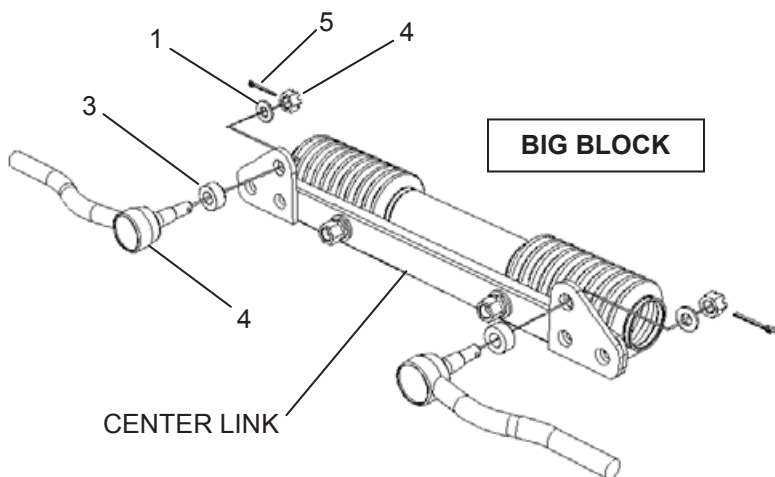
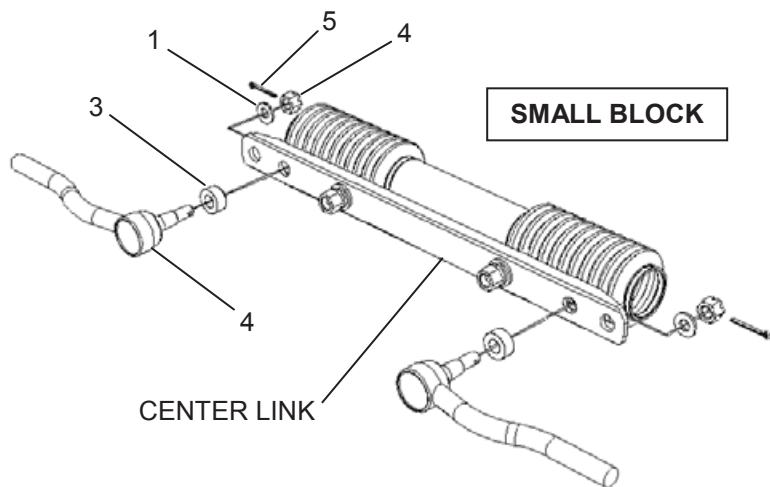
TIE ROD ADAPTER SET WITH .49 MINOR DIAMETER.
ADAPTS OEM INNER TIE ROD TO RACK-&PINION CENTER LINK

APPLICATIONS:

FITS '67-69 MUSTANG/COUGAR (EXCLUDING BOSS 302)
USING TCP RACK-&PINION AND OEM INNER TIE RODS

PARTS LIST

Item	Part Number	Description	Qty
1	3120-044S-Y	Washer 7/16 Flat SAE	4
2	3131-044-20Y	Locknut, 7/16-20 Nylon Insert	2
3	7900-201	Tapered Adapter .49 Minor Diameter	2
4	Not Supplied	Inner Tie Rod, 67-69 V8 Mustang	2
5	Not Supplied	Castle Nut, 7/16-20, 11/16 Hex	2
6	Not Supplied	Cotter Pin, 3/32 x 1	2



INFORMATION

- Tapered adapter must be mounted in innermost holes of center link.
 - Small block applications must use lower holes.
 - Big block applications must use upper holes.
- It is NOT necessary to use the power steering version of driver side inner tie rod with our power rack-&-pinion.
- Different tie rod manufacturers may use longer studs that make contact with rubber boots during operation. These studs will have to be ground to a shorter length preventing contact and damage to protective boots.
- Locknuts can be used instead of castle nuts if stud requires shortening.
- To compensate for reproduction-tie-rod taper differences, additional flat washers have been included. Place washers underneath the castle nut or locknut to remove free play if needed.
- Torque nuts to 35-45 lb. ft.
- Bend prongs of cotter pins in opposite directions until they are somewhat flat against nut to prevent pin from rotating and damaging protective boots.

READ ALL INSTRUCTIONS COMPLETELY AND THOROUGHLY UNDERSTAND THEM BEFORE DOING ANYTHING.
CALL TOTAL CONTROL PRODUCTS TECH SUPPORT (916) 388-0288 IF YOU NEED ASSISTANCE.

INSTALLATION GUIDE



TCP COLM-01 For 1964 – Early 1967 Mustang/Cougar with non-collapsible OEM steering shaft



Description: Column set 33" long shaft with lower column bearing retainer assembly

Applications: Fits '64 - early '67 Mustang/Cougar with non-collapsible OEM steering shaft; identifiable by non-exposed steering shaft at steering box or 3/4" diameter steering shaft directly above the rag-joint

PARTS LIST

COLM-01 - Column set 33" long shaft fits 64-67 early Mustang

Qty	Part Number	Description
1	7900-053	Column shaft 11/16-40 spline x 3/4-DD X 33" long
1	7900-137	Slotted 2-1/4"-diamater column bearing retainer assembly
1	7918-006	Hardware kit

7918-006 Hardware Kit

Qty	Part Number	Description
1	3114-0.750-P	External snap ring .750 shaft
1	3117-063-18C	Half locknut 5/8-18 nylon insert
4	3118-10PP-050C	Screw #10 x 1/2" long, pan head

INSTRUCTIONS

NOTE: A 1965 Mustang was used for the following images and may show slight differences from the later Mustang and Cougar platforms. The installation procedure is identical.

STEERING COLUMN REMOVAL

1. Push the horn ring inward and turn counter-clockwise to remove.



2. Remove steering wheel nut.
3. Using a steering wheel puller to remove the steering wheel.
4. Remove the spring and upper bearing. Save the parts for reassembly.



5. Disconnect the turn signal harness from underneath the dash.
6. Unbolt the firewall seal assembly. These parts will be replaced with components included in the TCP COLM-04 floor mount kit.



7. Remove the two bolts holding the steering column under dash bracket.
8. Remove the outer column tube from the vehicle. The steering shaft will remain in place for the time being.



STEERING BOX REMOVAL

9. Raise the vehicle using a lift or floor jack and secure with jack stands.
10. Remove the center link from the pitman arm of the steering box. A balljoint fork or similar tool may be required.
11. Remove the three bolts attaching the steering box to driver-side frame rail.



12. Remove the steering box from underneath the car. It may be necessary to remove the exhaust header or raise the engine to make room for the steering box to drop out.



STEERING COLUMN PREPARATION

13. Measure, mark, and then cut the steering column tube to an overall length of 29-5/16". A band saw or cut-off wheel can be used.
14. Remove sharp edges with a file or similar tool.



STEERING COLUMN ASSEMBLY

15. Slide the blue anodized split-collar clamp over the bottom end of the column tube; provided in TCP COLM-04 floor mount kit.



16. Insert the replacement steering shaft into the column tube.



17. Place bearing retainer assembly onto column tube. Make sure that the retainer seats firmly on the tube.

18. Install upper column bearing and spring.

19. Install steering wheel and steering wheel nut. Temporarily tighten steering wheel nut.



20. Install the external snap ring over the steering shaft and make sure it fully seats into the groove in the shaft.

21. Pull steering wheel towards interior of vehicle to pull retaining ring against bearing.

22. Steering wheel to column clearance should be 1/16" to 3/32".

23. If the steering wheel touches the column while pulling, you must cut appropriate length from end of column tube to allow clearance.

24. If the steering wheel is greater than 3/32" from the column, 3/4" inside diameter shims or washers can be placed between the retaining clip and roller bearing.



25. Use a 9/64" or .140" diameter drill bit and drill holes into column through bearing retainer.
26. Remove steering wheel nut, steering wheel, steering shaft and bearing assembly to remove metal chips from inside of column tube. Re-install steering shaft and bearing retainer assembly.
27. Install upper column bearing and spring.
28. Temporarily install steering wheel and nut.



29. The steering wheel will be removed again to index to the front wheels.
30. Secure bearing retainer to column using 3 stainless-steel Phillips sheet metal screws.



STEERING COLUMN INSTALLATION

31. From the vehicle interior, insert column through hole in firewall.
32. Position steering column at original height.
33. Install upper dash bracket.
34. Secure column floor mount assembly over factory firewall seal using supplies hardware.
35. Instructions for floor mount assembly provided in COLM-04.
36. Re-connect turn signal harness.



NOTES:

WARRANTY NOTICE:

There are NO WARRANTIES, either expressed or implied. Neither the seller nor manufacturer will be liable for any loss, damage or injury, direct or indirect, arising from the use or inability to determine the appropriate use of any products. Before any attempt at installation, all drawings and/or instruction sheets should be completely reviewed to determine the suitability of the product for its intended use. In this connection, the user assumes all responsibility and risk. We reserve the right to change specification without notice. Further, Chris Alston's Chassisworks, Inc., makes **NO GUARANTEE** in reference to any specific class legality of any component. **ALL PRODUCTS ARE INTENDED FOR RACING AND OFF-ROAD USE AND MAY NOT BE LEGALLY USED ON THE HIGHWAY.** The products offered for sale are true race-car components and, in all cases, require some fabrication skill. **NO PRODUCT OR SERVICE IS DESIGNED OR INTENDED TO PREVENT INJURY OR DEATH.**

Total Control Products
A Chris Alston's Chassisworks, Inc. Brand
8661 Younger Creek Drive
Sacramento, CA 95828
Phone: 916-388-0288
Technical Support: tcptech@cachassisworks.com



READ ALL INSTRUCTIONS COMPLETELY AND THOROUGHLY UNDERSTAND THEM BEFORE DOING ANYTHING.
CALL TOTAL CONTROL PRODUCTS TECH SUPPORT (916) 388-0288 IF YOU NEED ASSISTANCE.

INSTALLATION GUIDE



TCP COLM-04

For 1964 – Early 1967 Mustang/Cougar
with non-collapsible OEM steering shaft



Description: Lower column floor support bracket with column clamp and mounting hardware

Applications: Fits '64 - early '67 Mustang/Cougar with 2-1/4" columns

PARTS LIST

COLM-04 - Lower Column Support 64-67 Mustang

Qty	Part Number	Description
1	7900-055	Column clamp 2-1/4" OD column
1	7900-139	Lower column support plate 64-67 Mustang
1	7900-167	Column firewall seal 64-67 Mustang
1	7918-007	Hardware kit

7918-007 - Hardware Kit

Qty	Part Number	Description
3	3100-019-32C	Locknut 10-32 nylon insert
3	3104-019F0.75S	Button head 10-32 x 3/4" cap screw
2	3106-38FD0.75B	Set screw 3/8-24 x .75 long
3	3157-019-S-S	Washer #10 stainless steel

INSTRUCTIONS

NOTE: A 1965 Mustang was used for the following images and may show slight differences from the later Mustang and Cougar platforms. The installation procedure is identical.

1. Remove the OEM lower column plate and firewall seal.
2. Place the column support bracket against the inside of the firewall at the factory steering column hole.
3. Verify that the bolt pattern matches the existing holes.



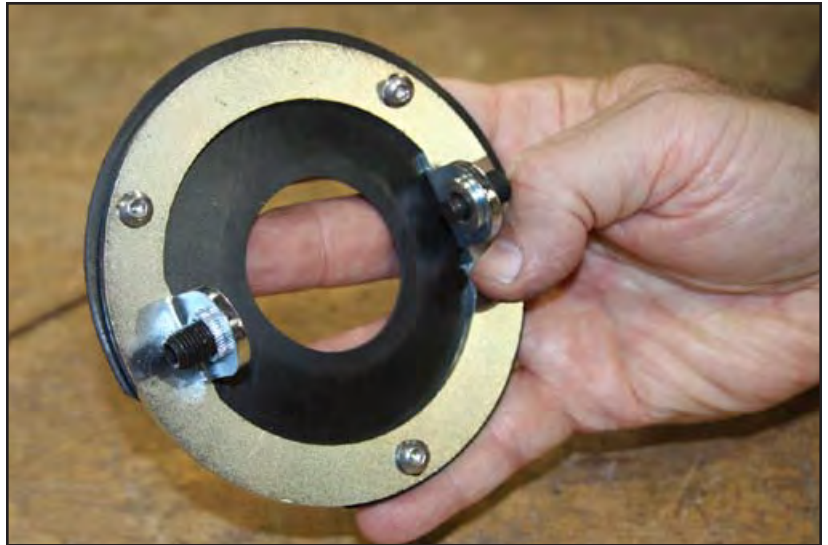
4. If the support bracket pattern matches factory holes, remove the bracket and use a 13/64" bit to open up the holes.
5. If support bracket pattern does not match the factory holes, new holes will have to be drilled through the firewall to match the support bracket.
6. Mark the hole location with a center punch or begin drilling hole with bracket in place.
7. We suggest starting the holes then removing the bracket to reduce the chance of damaging the finish of the bracket.



8. Begin screwing the set screws into the support bracket. If the set screws do not thread in easily chase the threads in the bracket using a 3/8-24 tap. Do not thread past the inside edge of the support bracket.



9. Place the fireawal seal as shown and insert the three 10-32 x 3/4" button head cap screws through the bracket on the seal.



10. The support bracket and column seal can be mounted to the firewall.



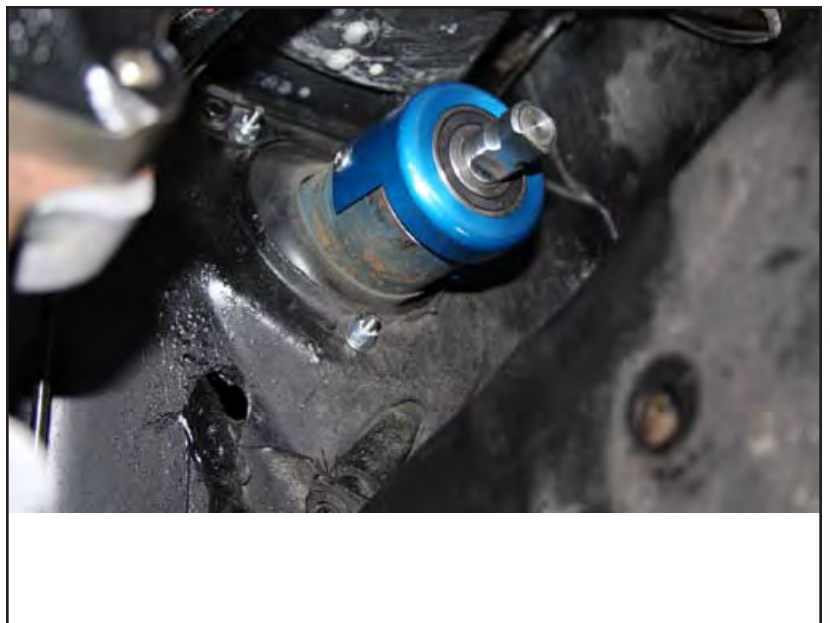
11. Thread the locknuts onto the bolts from the engine compartment side and tighten.



12. The column clamp will already be on steering column as instructed in the 7903-COLM-01 installation guide.



13. Insert completed steering column assembly through the firewall seal. (Figure 2-2)
14. Seal will stretch to allow column to pass through.



15. Position column at original height.

16. Secure column using upper dash bracket.



17. Column clamp can now be slid into correct position to line up with set screws.

18. Continue tightening set screws until column is held securely.



19. The steering wheel can now be placed on the column. Do not fully tighten it until the rack and pinion has been centered, this is detailed in instruction sheet 7903-RCKP-XX.



NOTES:

NOTES:

WARRANTY NOTICE:

There are NO WARRANTIES, either expressed or implied. Neither the seller nor manufacturer will be liable for any loss, damage or injury, direct or indirect, arising from the use or inability to determine the appropriate use of any products. Before any attempt at installation, all drawings and/or instruction sheets should be completely reviewed to determine the suitability of the product for its intended use. In this connection, the user assumes all responsibility and risk. We reserve the right to change specification without notice. Further, Chris Alston's Chassisworks, Inc., makes **NO GUARANTEE** in reference to any specific class legality of any component. **ALL PRODUCTS ARE INTENDED FOR RACING AND OFF-ROAD USE AND MAY NOT BE LEGALLY USED ON THE HIGHWAY.** The products offered for sale are true race-car components and, in all cases, require some fabrication skill. **NO PRODUCT OR SERVICE IS DESIGNED OR INTENDED TO PREVENT INJURY OR DEATH.**

Total Control Products
A Chris Alston's Chassisworks, Inc. Brand
8661 Younger Creek Drive
Sacramento, CA 95828
Phone: 916-388-0288
Technical Support: tcptech@cachassisworks.com

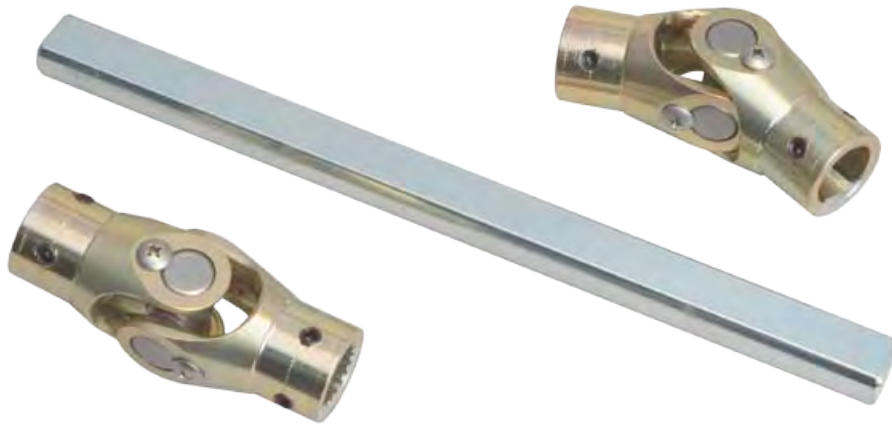


READ ALL INSTRUCTIONS COMPLETELY AND THOROUGHLY UNDERSTAND THEM BEFORE DOING ANYTHING.
CALL TOTAL CONTROL PRODUCTS TECH SUPPORT (916) 388-0288 IF YOU NEED ASSISTANCE.

INSTALLATION GUIDE



TCP ISFT-01 Intermediate Shaft Set For use with TCP Rack-&-Pinion and OEM steering column (standard misalignment)



Description: Intermediate shaft set 3/4-DD x 3/4-20 x 10" standard misalignment

Applications: Fits '64-70 Mustang/Cougar with OEM steering column

PARTS LIST

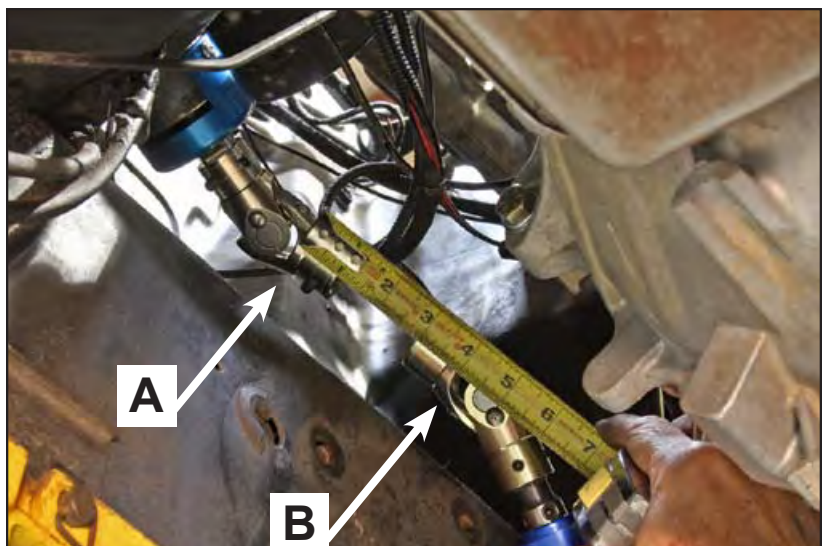
TCP ISFT-01 - Intermediate Shaft Kit 10" Long Shaft

Qty	Part Number	Description
1	7900-094	Shaft 3/4-DD x 10 long clear zinc plated
1	7900-UA10909	U-joint 3/4-DD x 3/4DD with 2 set screws
1	7900-165	U-joint 3/4-20 x 3/4DD with 2 set screws

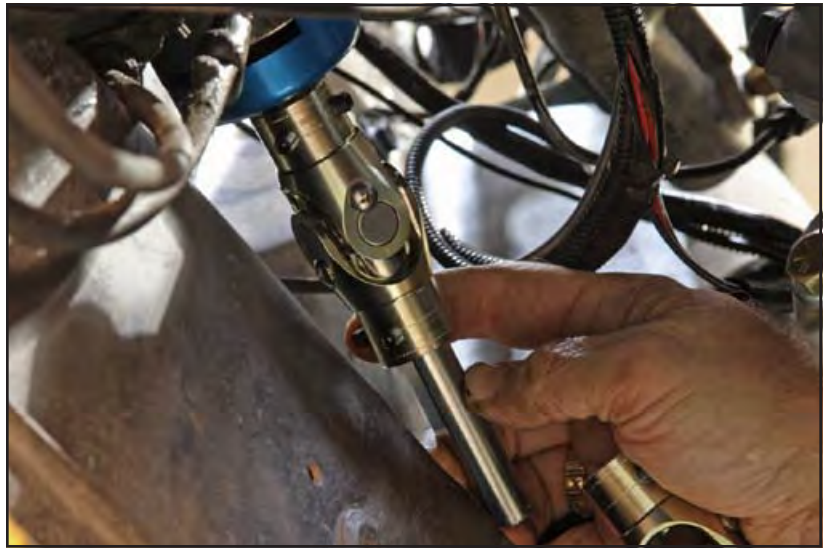
INSTRUCTIONS

NOTE: A 1965 Mustang was used for the following images and may show slight differences from the later Mustang and Cougar platforms. The installation procedure is identical.

1. To proceed, the instructions for the steering column must be completed and the rack and pinion bolted in place.
2. Place universal joint #7900-UA20109 onto the 3/4"-20 spline pinion shaft at the rack. 1" of shaft engagement is required.
3. Temporarily tighten setscrews just enough to hold the u-joint in place.
4. Place universal joint #7900-UA10909 onto the exposed 3/4"- DD steering shaft extending from the column.
5. One inch (1") of shaft engagement is required.
6. Temporarily tighten setscrews just enough to hold the u-joint in place.
7. Angle the u-joints toward each other.
8. Measure the distance from point "A" to point "B" as shown in the illustration. This is your "cut to" length.
9. We recommend adding 1/4" to the measured length if you are unsure of the correct fit. The shaft can then be shortened after test fitting.



10. Place supplied shaft #7900-094 into a vise and cut square to the determined length.
11. File to remove any sharp edges.
12. Paint the cut end of the shaft to protect against rust.
13. Loosen the set screws on the two u-joints and slide them as far apart as they will go.
14. Insert the shaft into the upper u-joint.



15. Insert the shaft into the lower u-joint.
16. Slide the u-joints into position on the rack and the column before tightening the set screws.



17. Move the steering wheel through its complete travel. There should be any binding. If bind is detected in the steering wheel you may need to shorten the 3/4-DD shaft until the steering moves freely.



WARRANTY NOTICE:

There are NO WARRANTIES, either expressed or implied. Neither the seller nor manufacturer will be liable for any loss, damage or injury, direct or indirect, arising from the use or inability to determine the appropriate use of any products. Before any attempt at installation, all drawings and/or instruction sheets should be completely reviewed to determine the suitability of the product for its intended use. In this connection, the user assumes all responsibility and risk. We reserve the right to change specification without notice. Further, Chris Alston's Chassisworks, Inc., makes **NO GUARANTEE** in reference to any specific class legality of any component. **ALL PRODUCTS ARE INTENDED FOR RACING AND OFF-ROAD USE AND MAY NOT BE LEGALLY USED ON THE HIGHWAY.** The products offered for sale are true race-car components and, in all cases, require some fabrication skill. **NO PRODUCT OR SERVICE IS DESIGNED OR INTENDED TO PREVENT INJURY OR DEATH.**

Total Control Products
A Chris Alston's Chassisworks, Inc. Brand
8661 Younger Creek Drive
Sacramento, CA 95828
Phone: 916-388-0288
Technical Support: tcptech@cachassisworks.com

